

Application

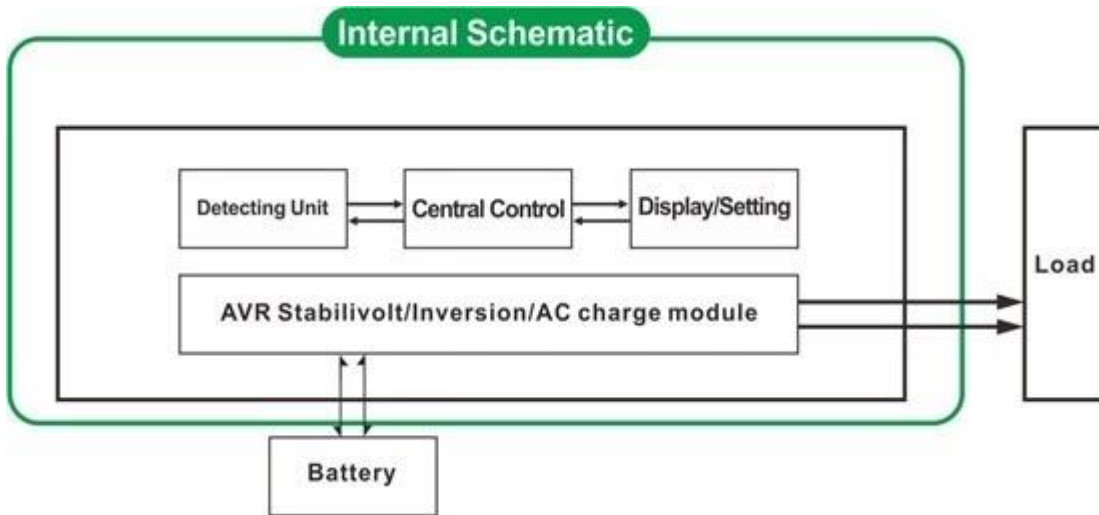
1. Back-up UPS system for industrial,commercial, household,etc
2. Mobile power and standby power for areasthat are lack of utility.
3. Off-grid solar & wind power system
 - 3.1 Simple Off-grid solar & wind powersystem
 - 3.2 AC first Off-grid solar & windpower system
 - 3.3 DC first Off-grid solar & windpower system

Features

1. pure sine wave output, full power
2. CPU management and control,modulardesign
3. LCD display,can visually display variousparameters
4. Multifunction design,can set a varietyof working mode
5. External battery connection, convenientto expand use time and back-up power time; user can connect as many batteriesas needed
6. With super load carrying ability andhigh load capacity, this series of inverters can not only drive resistance load; but also various kinds ofinductive loads, such as motor, air conditioner, electric drills, fluorescentlamp, gas lamp, etc. It can drive almost any kinds of load
7. Low frequency circuit design, goodsystem stability, low failure rate and long service life (under properoperation, it may be as long as 5 years)
8. Perfect protection: low voltageprotection, over voltage protection, overheat protection, short-circuitprotection, overloads protection; alarm alert
9. CE / EMC / LVD/ RoHS Approvals.
10. Two years warranty, life-long technicalsupports

Function

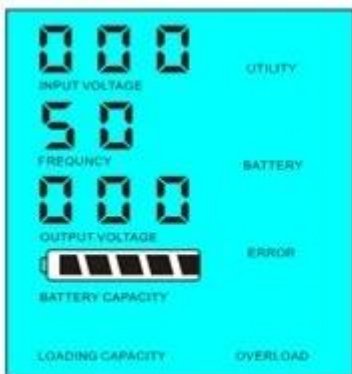
1. Sole inversion function under inversion mode [only connected to battery],can be set to normal operatingmode and sleep mode.



1.1 Normal working mode □ FREQUENCY in the LCD display is setas 01. No matter whether there are AC loads connected to the inverter or not,the inverter’s outputterminal will always have voltage ready to supply power to the loads. Underthis mode, the LCD will be displayed as bellow:



1.2 Sleep mode □ FREQUENCY in the LCD display is setas 02. If the power of the loads that connected to the inverter is lower than5% of the inverter’s rated power, there will be no output from the inverter. That is tosay, only the chip of inverter is working under such condition and the powerconsumption is only 1-6W; If the power of the loads that connected to theinverter is higher than 5% of the inverter’s rated power, then the inverterwill automatically start the inversion function and supply power to the loadswithin 5s. As shown below:

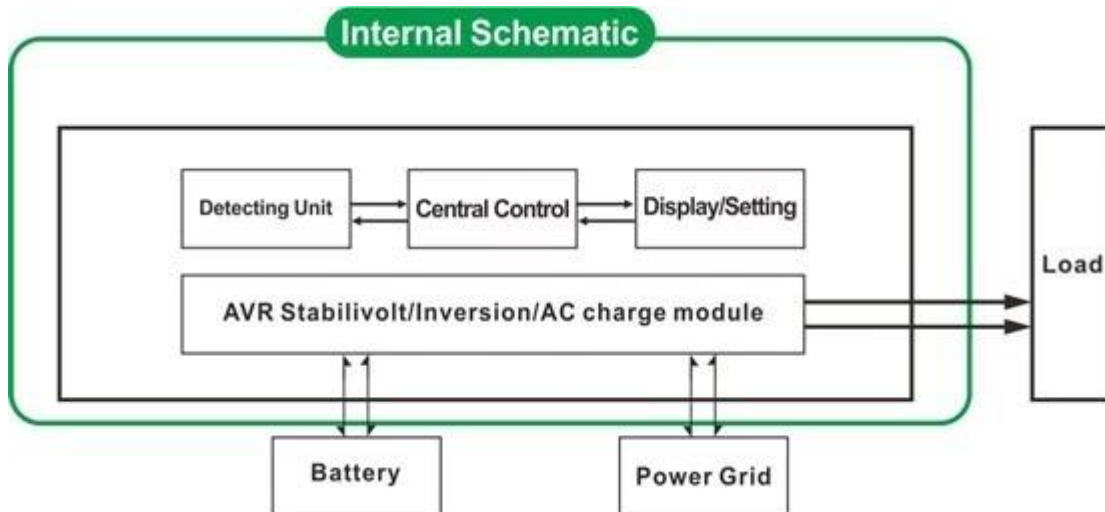


Load's power < 5% of inverter's rated power



Load's power > 5% of inverter's rated power

2. UPS function under utility mode(connected to battery and utility .Can beset as utility first, battery standby mode and battery first, utility standby mode).



2.1 Utility first, battery standby UPS mode: FREQUENCY in the LCD display is set as 01. When both utility and battery are connected to the inverter, utility will supply power to the loads prior to the battery. When utility is cut off, the battery will automatically continue to supply power after inversion.

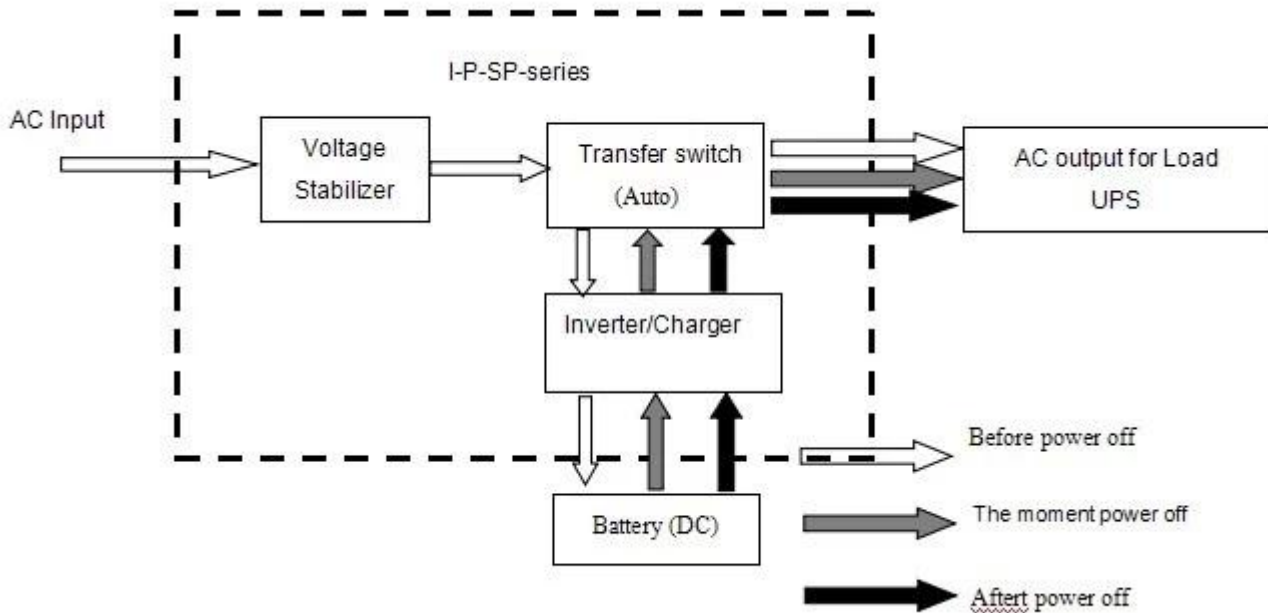
Steps are as follows:

Step 1: When utility power is available, it will output directly after voltage being stabilized and charge batteries at the same time.

Step 2: When utility power is cut off suddenly, the inverter will convert DC power to AC power automatically to ensure uninterrupted power supply within 5ms.

Step 3: When utility power becomes available again, it will automatically transfer to utility supplying power to loads and charge batteries at the same time.

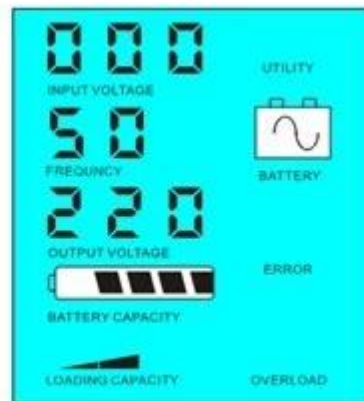
See Workflow as below.



LCD displayed as bellow:



Utility supply power and charge battery



Without utility and battery supply power

2.2 Battery first, utility standby UPS mode: FREQUENCY in the LCD display is set as 03. When both utility and battery are connected to the inverter, battery will supply power to the loads prior to utility. When battery capacity is not enough, utility will continue to supply power automatically.

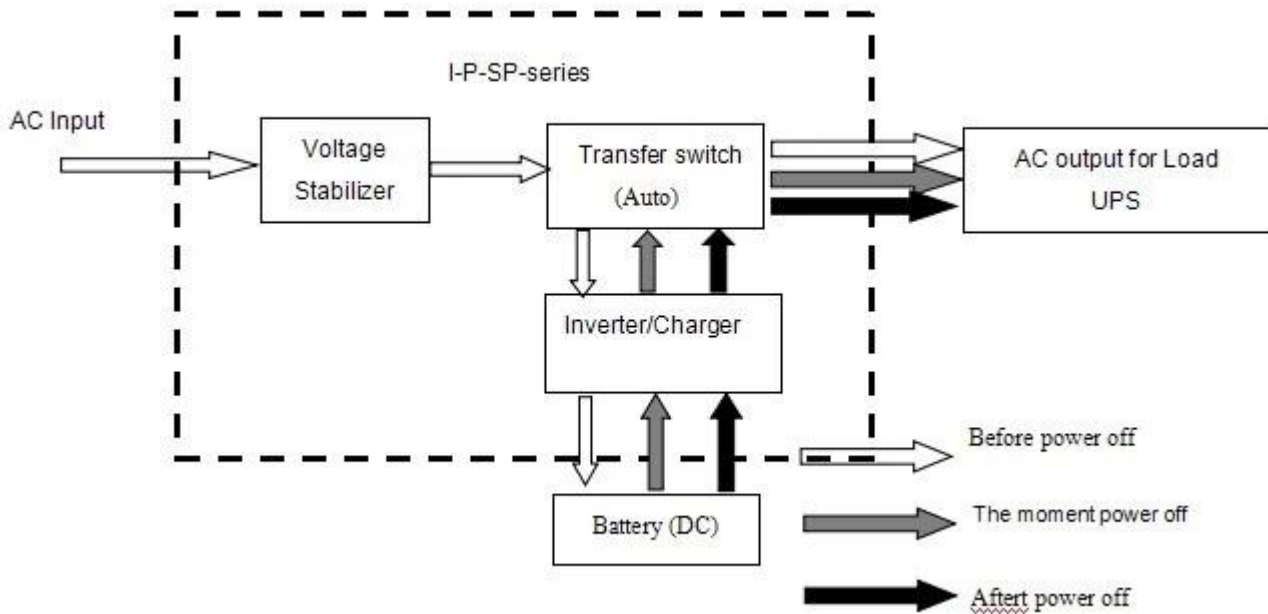
Steps are as follows:

Step 1: When battery has enough power, it will supply power to the loads directly

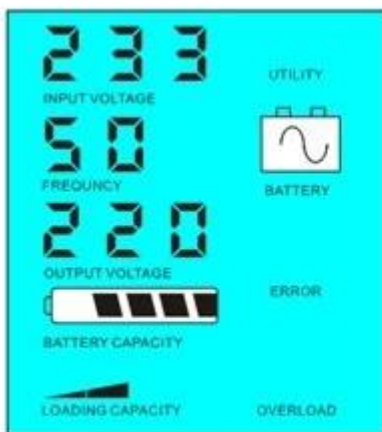
Step 2: When battery does not have enough power, it will automatically transfer to utility supplying power to the loads

Step 3: After the battery is fully charged(e.g. by solar or wind charge controller), it will then automatically transferto battery supplying power to the loads.

See Workflow as below.



LCD displayed as bellow:



Battery has power



Battery dead, utility supply power

parameter

Model	6000VA
Parameter	
Rated Output Capacity	4000W
Peak Power	8000W
Battery Voltage(DC)	48V/96V/192V[optional]
Size WxDxH(mm)	420*260*605
Packing Size WxDxH(mm)	440*280*625
Net Weight (kg)	50
Gross Weight (kg)	55

General Parameter		
Working Mode □Setting□	1	Utility First, Battery Standby
	2	Sleep Mode,no utility,load's power higher than 5% of rated power, start to work automatically
	3	Battery first, utility standby
AC Input	Voltage	220V±35% or 110V+35%□optional□
	Frequency	50Hz±3% or 60Hz±3% □optional□
AC Output	Voltage	220V±3% or 230V±3 or 240V±3% or 100V±3% or 110V±3% (optional)
	Frequency	50Hz±0.5 or 60Hz±0.5 (optional)
Battery charge	AC Charge Current	0~15A
	Charge Time	Depend on battery capacity and quantity
	Battery Protection	Automatic detection, Charge and discharge protection,Intelligent Management
Display	Display Mode	LCD
	Display Information	Input voltage,output voltage,output frequency,battery capacity,Load condition,Status Information
Output Wave Type		Pure sine wave output,waveform distortion rate≤3
Overload Ability		□120% 1 min,□130% 10s
Power Consumption	Sleep Mode	1~6W
	Normal Mode	1~3A
Conversion Efficiency		80%~90%
Transfer Time		□5ms □AC to DC / DC to AC□
Protection		Overload output,short-circuit,high-voltage input,low-voltage input,overheat
Environment	Temperature	-10°C□50°C
	Humidity	10%□90%
	Altitude	≤4000m

Remark

The “optional” parameter can be set as percustomer’s requirement

The above is our standard parameter.Subject to change without prior notice.

We have our own professional inverter andcontroller R&D team and we provide technical support and OEM service.

Others

Please refer tothe outline design, technical documents, product brochures, etc.

Made byEngineering Department May 5, 2014 2nd Edition