

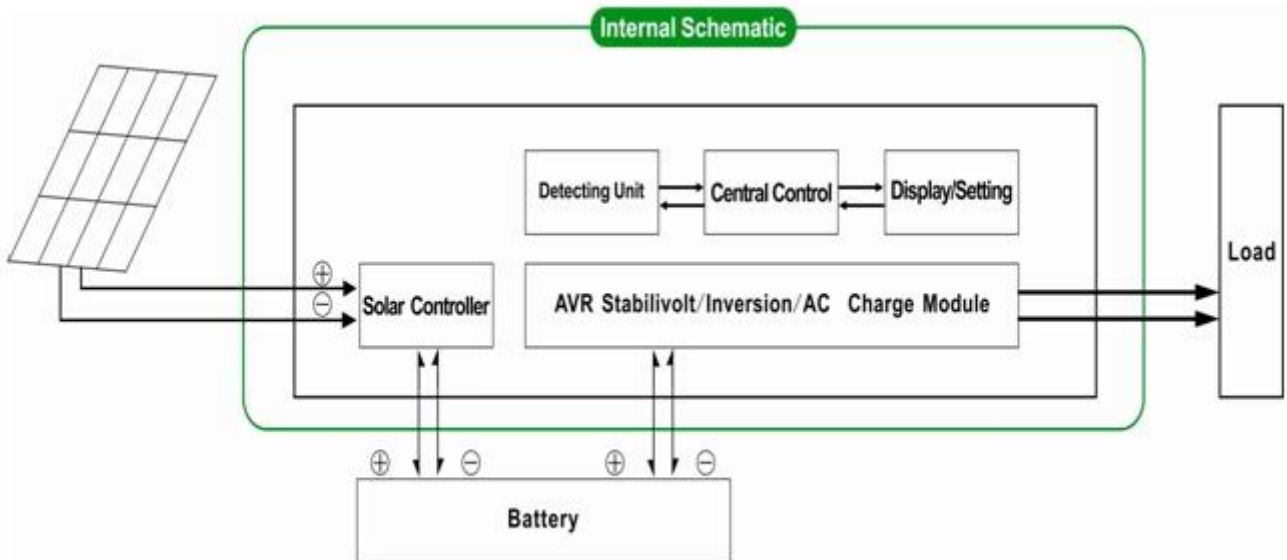
AC 4000 **AC** **48V** **60A**



- 1
- 2
- 3
- 4
- 5
- 6
- 7
- 8
- 9
- 10

6000VA	
4000W	
8000W	
DC	48V
PWM	48V
	60A
PV	48V~100V
WxDxH	420 * 260 * 605
WxDxH	440 * 280 * 625
	50
	55
1	
2	5
3	1
AC	220V±35V±110V + 35±
	3±60Hz±3±50Hz
AC	220V±3 or 230V±3 or 240V±3 or 100V±3 or 110V±3
	0.5±0.5±60Hz±50Hz
	AC 0~15A
PV	PV PWM
	+LED
	THD≤3
	> 120 1 > 130 10s
	1 6W
	1 3A
	80 90
	<5ms DC / DC AC AC
	-10°C~50°C
	10 90
	≤4000m

Internal Schematic



I-P-SPC-Series System



I-P-HPC-Series Inverter+Solar Controller