

12V 24V 48V 1KW TPI2 UPS

□□□□



DC-



DC INPUT		
12V	24V	48V
	✓	

DC+



Remote Port



AC OUTPUT



MAX 5A

AC INPUT | AC OUTPUT



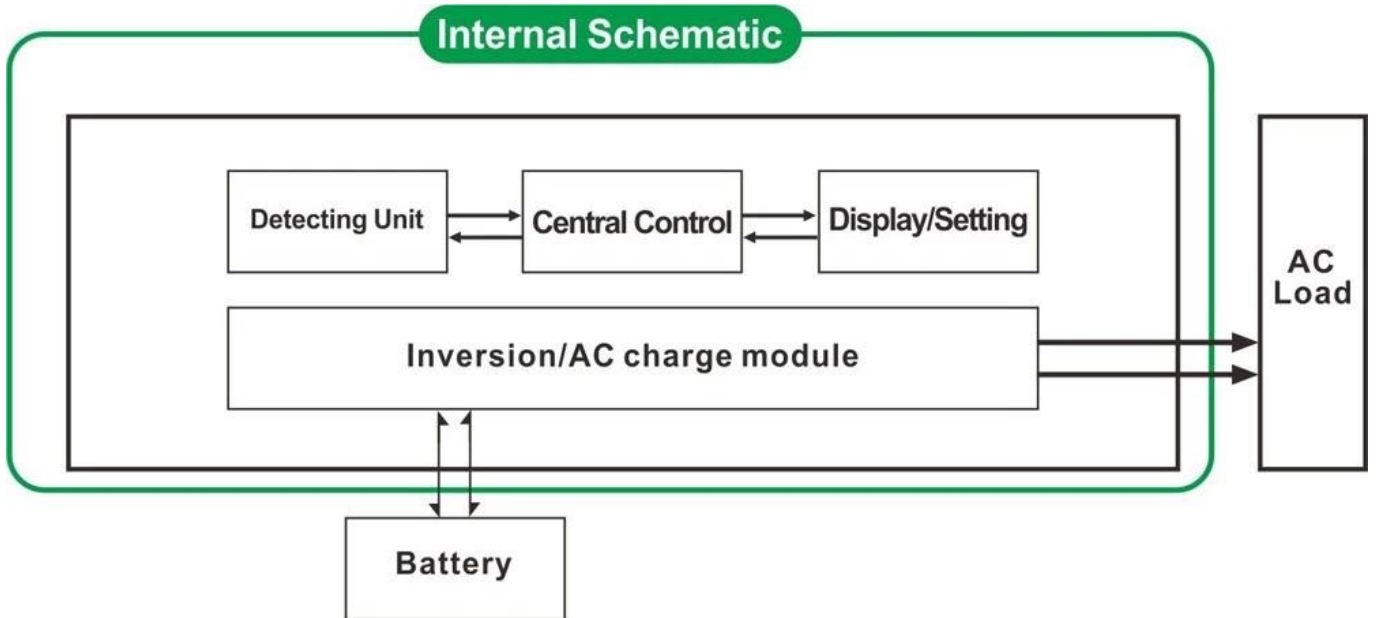
L N E | L N E

Inverter
Output Protect



Charger
Input Protect

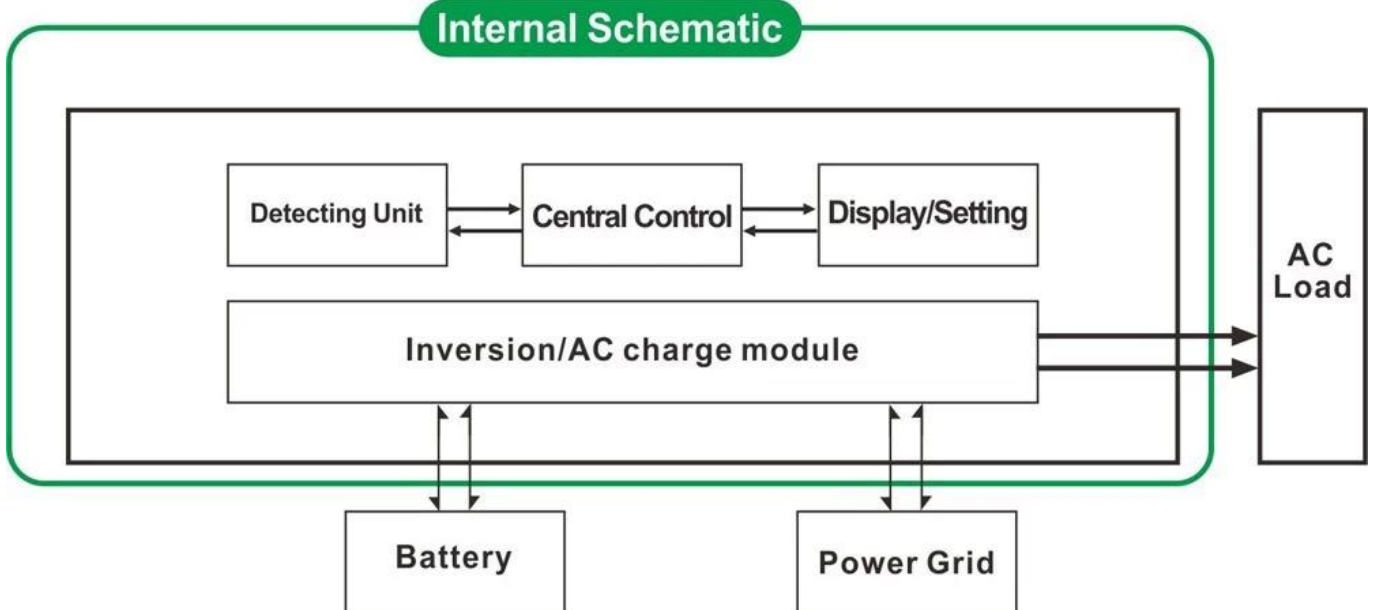




2. 1. 2. 3.



3. UPS AC DC



- 3.1. 3.2. 1. 2. CPU 3. LCD LED 4. AC DC 50Hz 60Hz 5. 87-98 1W 6W 8

