

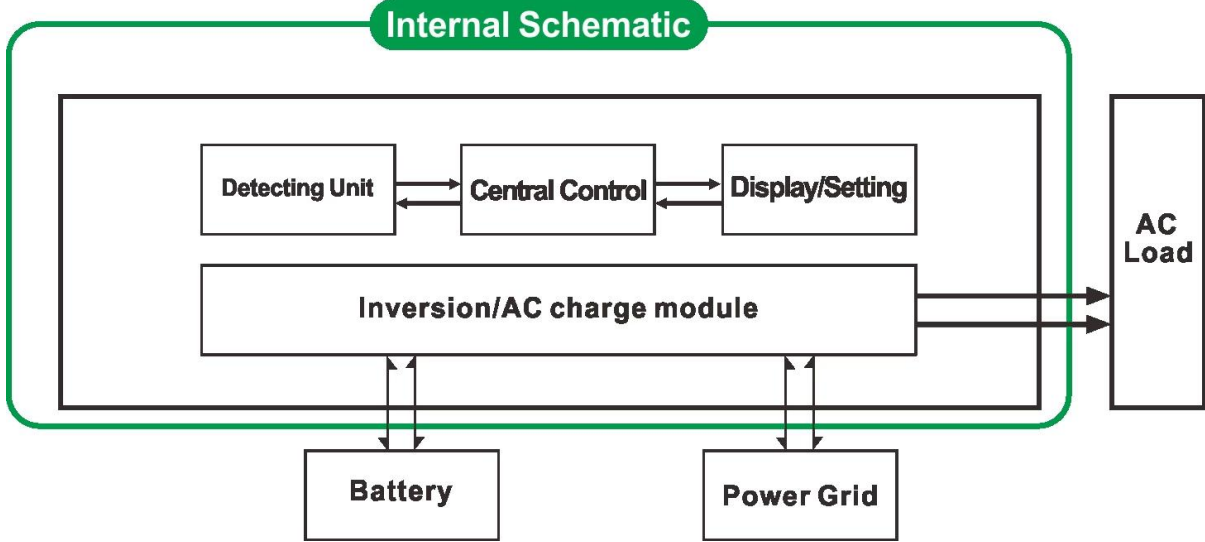
LCD
 1.2 S-ON 5 LCD 0
 1-6W 5 AC DC
 LCD

2.
 8
 CC CV CF

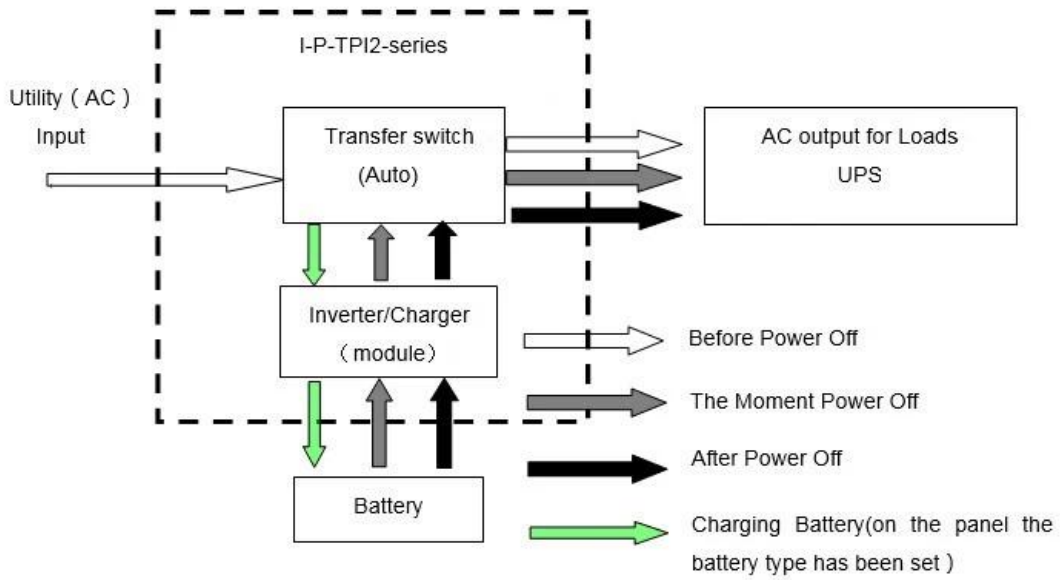


0 0

3. UPS
 AC DC



3.1 UPS AC
 LCD AC 0
 5ms UPS
 3



3.2 UPS DC

0

1

2

3

□□	□□	-10°C□50°C
	□□	□90□□10□
	□□	≤4000m



Power Inverter

Power Inverter

BAT Type



S-ON



AC

50HZ

AC



60HZ

DC



Inverter



Charger

Next Page



Alarm



OFF

ON



S-ON

Power Inverter



DC-



DC INPUT		
12V	24V	48V
	✓	

DC+



Remote Port



AC OUTPUT



MAX 5A

AC INPUT | AC OUTPUT



L N E | L N E

Inverter
Output Protect



Charger
Input Protect

