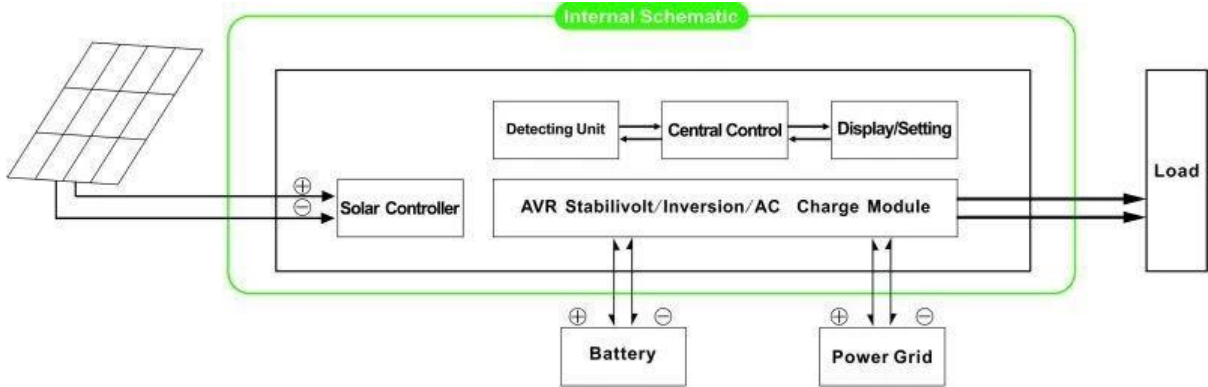


MPPT

MPPT (Maximum Power Point Tracking) is a technique used in solar power systems to maximize the power output from the solar panels. It works by continuously adjusting the electrical operating point of the solar panels to track the maximum power point (MPP) under varying conditions of solar irradiance and temperature. This ensures that the system is always operating at the most efficient point, resulting in higher energy production over the lifetime of the system.



Feature

1. Easy installation and operation
2. CPU control
3. MPPT
4. AVR
5. Inverter
6. Charge controller
7. AC output
8. Battery management
9. CE / EMC / LVD / RoHS
10. High efficiency

Technical Specifications

Power	2000W	
Max. Power	2000W	
Max. Power	4000W	
Input Voltage	24V / 48V	
Input Current		
Input Power	PV	
Input Power	PV + Battery	
MPPT	Input Voltage	24V / 48V
	Input Current	30A
	Input Power	100V
	Input Power	95~99
AC Output	AC Output	24V 852W
	AC Output	48V 1704W
AC Output	AC Output	0~15A
	AC Output	3~1000
AC Output	AC Output	220V±3%~230V 3~240V±3%~100V±3%
	AC Output	0.5±0.5~60Hz±50Hz
AC Output	AC Output	rate≤3
AC Output	AC Output	> 120 1~> 130 10s
AC Output	AC Output	24V 0.7A
AC Output	AC Output	48V 0.45A

额定功率 额定功率		1-6W
额定输入电压		85V~92V
额定输入电压		
AC输入	电压	220V~230V±35V/110V + 35V±
AC输入	频率	50/60Hz
AC输入	电压	220V±5V/110V±5V
AC输入	频率	50/60Hz
启动时间		> 120ms 100ms > 130ms/10s
AC/DC转换器		
UPS类型		AC输入/DC输出 DC输入/AC输出
转换时间		<5ms AC/DC/DC
效率		85%
效率		85%/100% 满载
效率		
指示	颜色	红+绿LED
指示	颜色	红+绿LED
工作温度		0~40°C 满载
工作温度	电压	-10°C~50°C
工作温度	湿度	10%~90%
工作温度	海拔	≤4000m
尺寸 W×D×H mm		438 * 208 * 413
尺寸 W×D×H mm		520 * 310 * 460
重量 kg		19
重量 kg		20

000000





□□□□□

