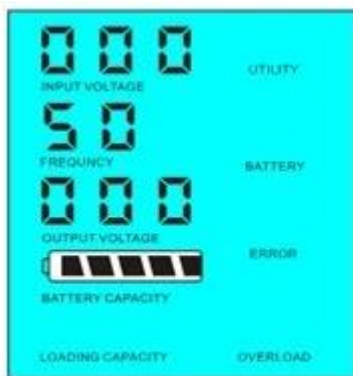


1.1 当检测到输入电压为0V时，频率为01Hz，AC输入电压为0V，LCD显示如下：



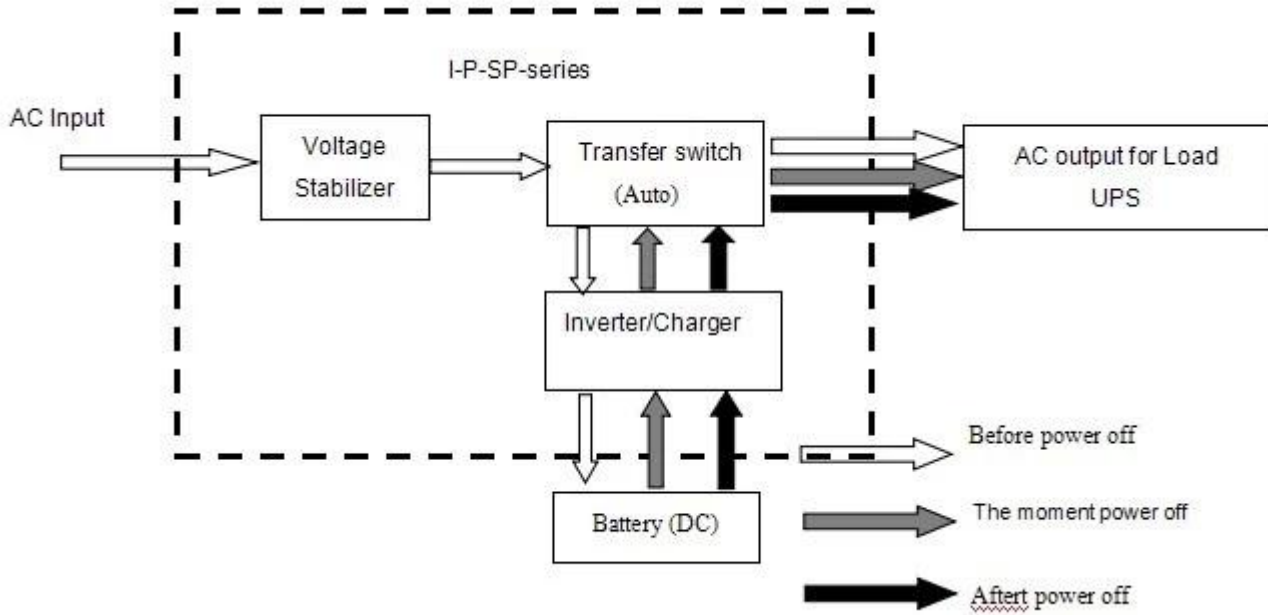
1.2 当检测到输入电压为0V时，频率为02Hz，AC输入电压为0V，LCD显示如下：



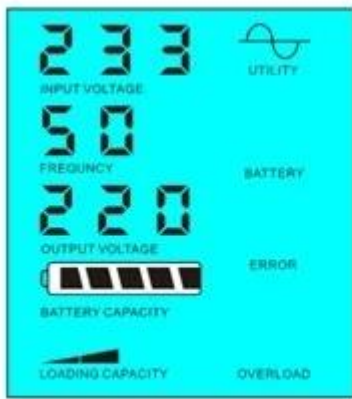
Load's power < 5% of inverter's rated power

Load's power > 5% of inverter's rated power

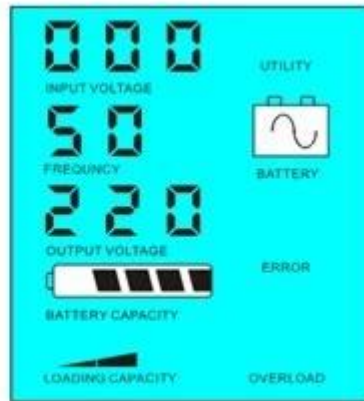
2. 当检测到输入电压为0V时，频率为02Hz，AC输入电压为0V，LCD显示如下：



LCD



Utility supply power and charge battery



Without utility and battery supply power

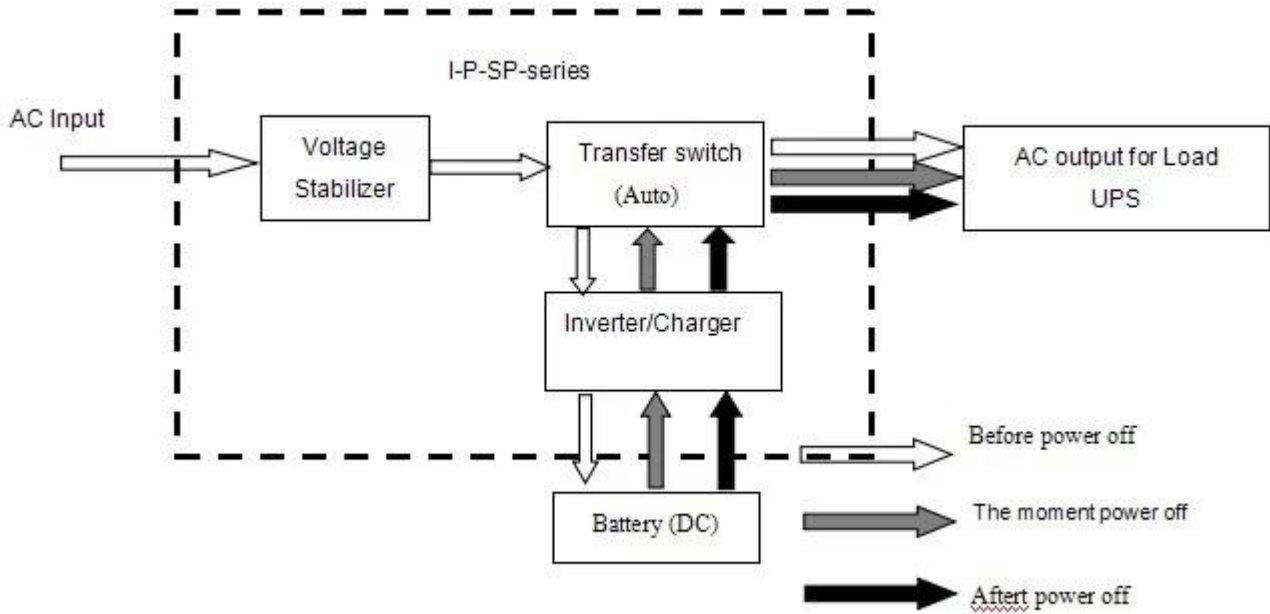
2.2 1 UPS 03

1

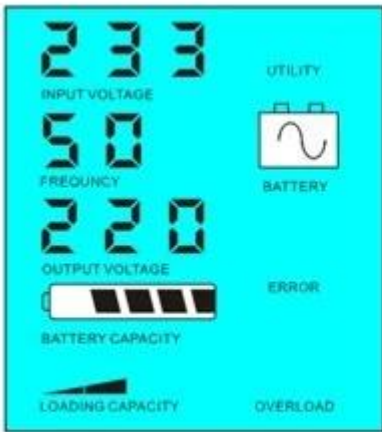
2

3

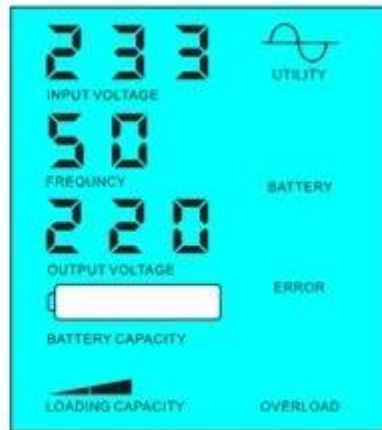
□□□□□□□□□□□□□□□□□□



LCD□□□□□□□□□□□□



Battery has power



Battery dead, utility supply power

□□□□□□

Model	□□□□□□	6000VA
□□□□ □□		4000W
□□□□□□		8000W
□□□□□□ □□□□DC□		48V/96V/192V□□□□□□□□
□□□□W×D×H□mm□□		420 * 260 * 605
□□□□□□ W×D×H□mm□□		440 * 280 * 625
□□□□ □KG□		50
□□□ □KG□		55
□□ □□□□□□		
□□□□□□□□□□	1	□□□□□□□□□□□□□□□□□□
	2	□□□□□□□□□□□□□□□□□□□□5□□□□□□□□□□□□□□□□□□
	3	□□□□□□□□□□□□□□□□□□
AC□□	□□	220V□□□□□□□□□□35□110V 35□□□□□□□□±
	□□□	50Hz□±3□□□□60Hz±3□□□□□□□□□□

AC		220V±3% 230V±3% 240V±3% 100V±3%
		110V±3%
		0.5% 60Hz±0.5% ±50Hz
	AC	0~15A
		≤3
		> 120 1 > 130 10S
		1 6W
		1 3A
		80 90
		<5ms AC / DC / DC AC
		-10°C~50°C
		10 90
		≤4000

R&D OEM

2014 5 5 2