

MPPT IP-HPC

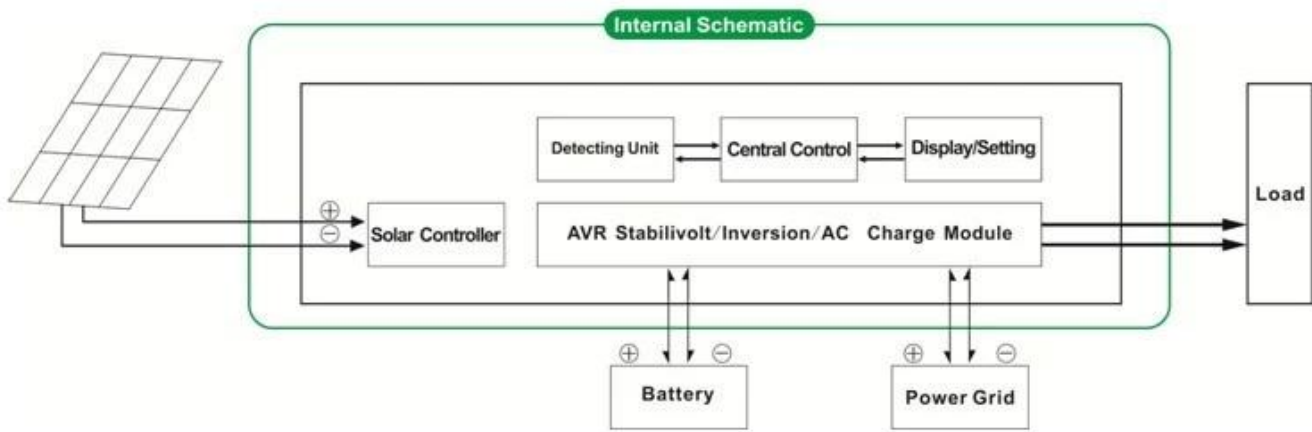
I-P-HPC-Series System



I-P-HPC-Series Inverter+Solar Controller

□□□□

- 1. [MPPT](#) I-P-HPC- AC DC
- 2. Solar



1. Features

- 1. Easy installation
- 2. CPU
- 3. MPPT
- 4.
- 5. Intellectual
- 6.
- 7. Strong
- 8. Perfect
- 9. CE / EMC / LVD / RoHS
- 10. Two

2. Charging

- 2.1 PV
- 2.2 PV +

3. Utility

- 3.1 AC

- 1.
- 2. 5ms
- 3.

4. Timing

- 4.1
- 4.2

5. Recording

- 5.1
- 5.2





Rs232

B0
B1
B2
B3
B4
B5
B6
B7
B8
B9
0.1

MONITOR BATTERY VOLTAGE DETECTION

Battery Switch

AC Input Switch

Solar Input

DC Output



Battery input



Input voltage 48VDC 96VDC

AC INPUT N L \perp N L \perp AC OUTPUT



⚠ Pay attention to high voltage ⚠