

AC DC LCD

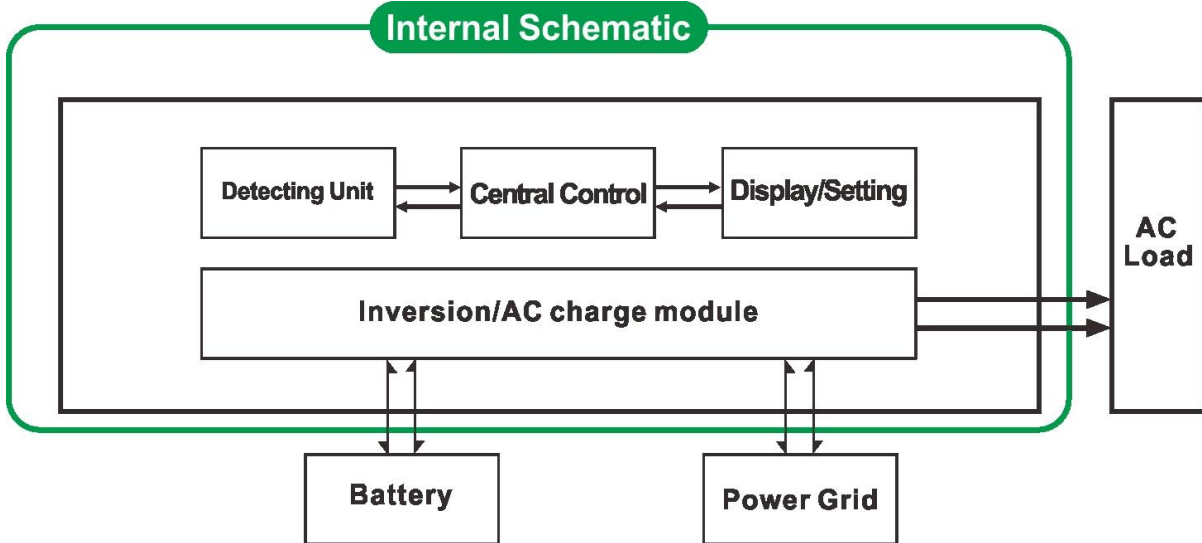
2
8
&NBSP
CC CV CF



0 0

3 UPS

AC DC



3.1 1 UPS AC

AC
LCD
5ms
3

3.2 UPS DC

0

- 1
- 2
- 3

	4000W
--	-------

