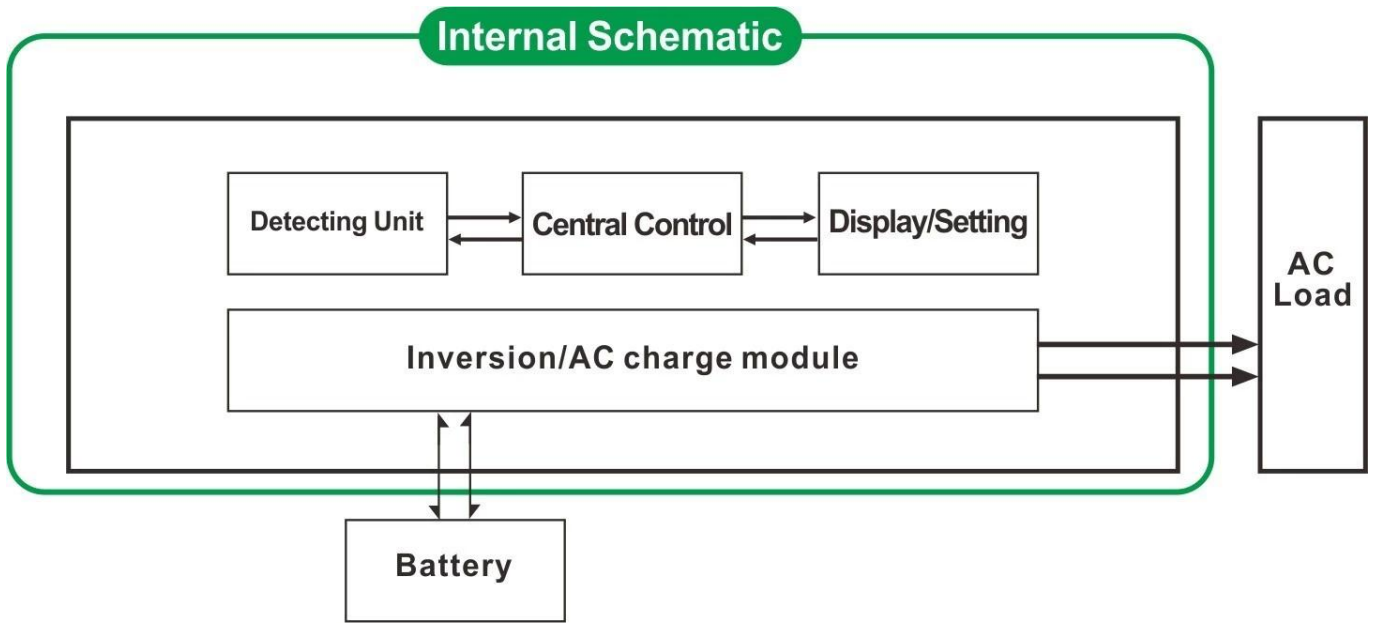


IP-TPI2-1000W-6000W AC DC UPS
 AC 1 DC 50Hz 60Hz TPI 24
 UPS DC
 TV

supply Movable
 UPS

1. DC / AC
 ON S-ON



ON 1.1 AC
 LCD
 1.2 S-ON 5 0
 1-6W 5 5
 AC DC LCD

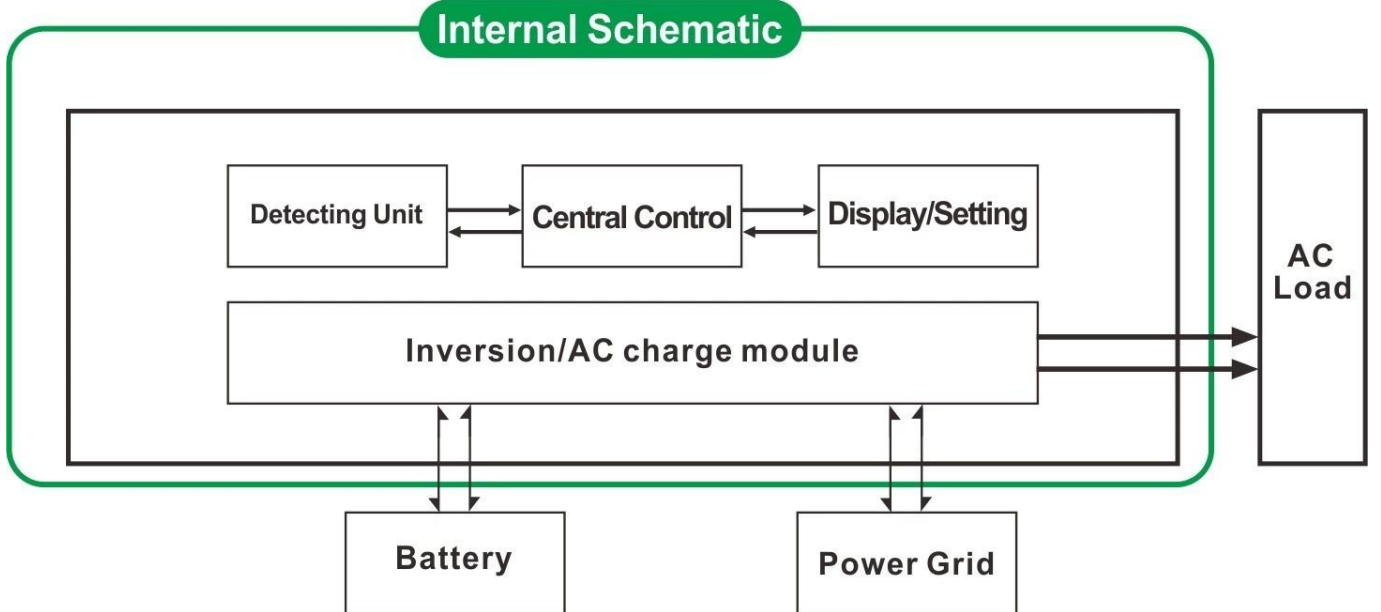
- 2
- 1 8
- 2
- 3 3 CC CV CF



0 0

3 UPS

AC DC



- 3.1 UPS AC
- 3.2 UPS DC
- 1
- 2 CPU
- 3 LCD LED
- 4 AC DC 50Hz 60Hz
- 5 87 98 1W 6W
- 6 8
- 7
- 8 3 1KW 1HP 2KW 2HP 3KW 3HP
- 9 5
- 10
- 11 EMC LVD RoHS
- 12 2

SPeCification

Power		5000W
Power		5000W
Power		15000W
DC		24V 48V
WxDxH mm		440 * 218 * 400
WxDxH mm		520 * 275 * 520
kg		40
kg		48
AC		
	S-ON	1 6W 5
AC		220V 35 110V + 35 ±
		50Hz 60Hz

AC		220V±3% 230V 3 240V±3% 100V±3% 110V±3%
		DC / AC 50Hz 60Hz
UPS MAX	AC	24V
	MAX	70A
		48V
		40A
		1 2 OEM
		CC CV CF
UPS	AC	
	DC	
		+ LED
		> 120 1 > 130 10S
		1 6W
		1 3A
		87 98
		DC / DC <5ms AC AC
		-10°C 50°C
		10 90
		≤4000m



Certificate Of Registration

QUALITY MANAGEMENT SYSTEM

This is to Certify that the Quality Management System
of
**SHENZHEN I-PANDA NEW ENERGY TECHNOLOGY
& SCIENCE CO., LTD.**

Address:

*Block H, Juyin Technology Industrial Park, Buji St., Longgang Dist., Shenzhen,
518000, Guangdong, China.*

has been assessed and found to comply with the requirements of:

ISO 9001:2008

(Quality Management System)

Clause 7 permissible Exclusions: Nil

Scope of Certification:

**Design, Production and Sales of Power Inverter, Solar Controller, Solar
Generator System and UPS.**

Sector Code: (ANZSIC CODE: 2859)

Certificate Number: CHIN/TW/QMS/00119

Issue no.: 01

Date of approval : 05.07.2014

Valid until : 04.07.2017


Revision no: nil

Revision date : nil

Original Certification Date: 05.07.2014



Surveillance Audit 1st Year


Managing Director



Surveillance Audit 2nd year

MS CERTIFICATION SERVICES PVT. LTD.

www.ms certification.net

The Certificate is Valid Only if the Annual Surveillance Mark is Signed by Auditor on Original.

PK00001



Certificate Of Registration

ENVIRONMENTAL MANAGEMENT SYSTEM

This is to certify that the Environmental Management System
of

**SHENZHEN I-PANDA NEW ENERGY TECHNOLOGY
& SCIENCE CO., LTD.**

Address:

**Block H, Juyin Technology Industrial Park, Buji St., Longgang Dist., Shenzhen,
518000, Guangdong, China.**

has been assessed and found to comply with the requirements of:

ISO 14001:2004

(Environmental Management System)

Scope of Certification:

**Design, Production and Sales of Power Inverter, Solar Controller,
Solar Generator System and UPS.**

Sector Code: (ANZSIC CODE: 2859)

Certificate Number: CHIN/TW/EMS/00028

Issue no.: 01

Date of approval : 05.07.2014
Revision no: nil

Valid until : 04.07.2017
Revision date : nil

Original Certification Date: 05.07.2014



Surveillance Audit 1st Year

Managing Director



Surveillance Audit 2nd year

MS CERTIFICATION SERVICES PVT. LTD.

www.ms certification.net

The Certificate is Valid Only if the Annual Surveillance Mark is Signed by Auditor on Original.

ISO EMS Rev.02



Best Service of Testing
since 2003

Certificate of Compliance

Certificate NO. : BST14050326Y-1EC-1

Applicant : SHENZHEN I-PANDA NEW ENERGY TECHNOLOGY & SCIENCE CO., LTD.
Bolck H, Juyin Technology Industrial Park, Buji St.,
Longgang Dist., Shenzhen, Guangdong, China

Manufacturer : SHENZHEN I-PANDA NEW ENERGY TECHNOLOGY & SCIENCE CO., LTD.
Bolck H, Juyin Technology Industrial Park, Buji St.,
Longgang Dist., Shenzhen, Guangdong, China

Product Name : PURE SINE WAVE INVERTER WITH CHARGER AND UPS

Trade Name : I-PANDA

Main Test Model : I-P-TPI-6000W

Additional Model : I-P-TPI-1000W, I-P-TPI-2000W, I-P-TPI-3000W,
I-P-TPI-4000W, I-P-TPI-5000W

Test Standard : EN 55022:2010
EN 61000-3-2:2006+A1:2009+A2:2009
EN 61000-3-3:2013
EN 55024:2010

As shown in the Test Report No. : BST14050326Y-1ER-1.

The EUT described above has been tested by us with the listed standards and found in compliance with the council EMC directive 2004/108/EC. It is possible to use CE marking to demonstrate the compliance with this EMC Directive.

The certificate applies to the tested sample above mentioned only and shall not imply an assessment of the whole production.



Christina
Manager
May 20, 2014

Shenzhen BST Technology Co.,Ltd.

Add: Building No.23-24, Zhiheng Industrial Park, Guankouer Road, Nantou, Nanshan District, Shenzhen, Guangdong, China

Certificate Search: <http://www.bst-lab.com>, Tel:400-882-9628, 8009990305, E-mail:christina@bst-lab.com



Best Service of Testing
since 2003

Certificate of Compliance

Certificate NO. : BST14050326Y-1SC-2

Applicant : SHENZHEN I-PANDA NEW ENERGY TECHNOLOGY & SCIENCE CO., LTD.
Bolck H, Juyin Technology Industrial Park, Buji St., Longgang Dist., Shenzhen, Guangdong, China

Manufacturer : SHENZHEN I-PANDA NEW ENERGY TECHNOLOGY & SCIENCE CO., LTD.
Bolck H, Juyin Technology Industrial Park, Buji St., Longgang Dist., Shenzhen, Guangdong, China

Product Name : PURE SINE WAVE INVERTER WITH CHARGER AND UPS

Trade Name : I-PANDA

Main Test Model : I-P-TPI-6000W

Additional Model : I-P-TPI-1000W, I-P-TPI-2000W, I-P-TPI-3000W, I-P-TPI-4000W, I-P-TPI-5000W

Test Standard : EN 60950-1:2006+A11:2009+A1:2010+A12:2011

As shown in the Test Report No. : BST14050326Y-1SR-2

The EUT described above has been tested by us with the listed standards and found in compliance with the council LVD directive 2006/95/EC. It is possible to use CE marking to demonstrate the compliance with this LVD Directive.

The certificate applies to the tested sample above mentioned only and shall not imply an assessment of the whole production.



Christina
Manager
May , 25, 2014

Shenzhen BST Technology Co., Ltd.

Add: Building No.23-24, Zhiheng Industrial Park, Guankouer Road, Nantou, Nanshan District, Shenzhen, Guangdong, China

Certificate Search: <http://www.bst-lab.com>, Tel: 400-882-9628, 8009990305, E-mail: christina@bst-lab.com



Best Service of Testing
since 2003

FCC VERIFICATION OF CONFORMITY

BST14050326Y-1EC-3

We herewith confirm the following designated product:

Product Name: PURE SINE WAVE INVERTER WITH CHARGER AND UPS

Trade Name: I-PANDA

Main Test Model. : I-P-TPI-6000W

**Additional Model: I-P-TPI-1000W, I-P-TPI-2000W, I-P-TPI-3000W,
I-P-TPI-4000W, I-P-TPI-5000W**

(Product Identification)

has been tested and found in compliance with the requirements of 47 CFR PART 15 regulation & ANSI C63.4 for the evaluation of Class B of electromagnetic compatibility. It is only valid in connection with the test report number: BST14050326Y-1ER-3.

This device complies with Part 15 of the FCC rules, operation is subject to the following two conditions:

- (1) this device may not cause harmful interference, and
- (2) this device must accept any interference received, including interference that may cause undesired operation.

(Identification of regulations/standards)

This declaration is the responsibility of the manufacturer/importer

SHENZHEN I-PANDA NEW ENERGY TECHNOLOGY & SCIENCE CO., LTD.

**Bolck H, Juyin Technology Industrial Park, Buji St.,
Longgang Dist., Shenzhen, Guangdong, China**

(Name /Address)

MANUFACTURER / IMPORTER



TEST LABORATORY

This is the results of test that was carried out by Shenzhen BST. from the submitted type samples of the product is in conformity with the specification of the respective standards.

The certificate holder has the right to fix the FCC-mark on the product complying with the required rules.



Christina

Manager

May 20, 2014

Shenzhen BST Technology Co.,Ltd.

Add: Building No.23-24, Zhiheng Industrial Park, Guankouer Road, Nantou, Nanshan District, Shenzhen, Guangdong, China.

Certificate Search: <http://www.bst-lab.com>, Tel:400-882-9628, 8009990305, E-mail:christina@bst-lab.com



Best Service of Testing
since 2003

Certificate of Compliance

Certificate NO. : BST14050326Y-1RC-4

Applicant : SHENZHEN I-PANDA NEW ENERGY TECHNOLOGY & SCIENCE CO., LTD.
Bolck H, Juyin Technology Industrial Park, Buji St., Longgang Dist., Shenzhen, Guangdong, China

Manufacturer : SHENZHEN I-PANDA NEW ENERGY TECHNOLOGY & SCIENCE CO., LTD.
Bolck H, Juyin Technology Industrial Park, Buji St., Longgang Dist., Shenzhen, Guangdong, China

Product Name : PURE SINE WAVE INVERTER WITH CHARGER AND UPS

Trade Name : I-PANDA

Main Test Model : I-P-TPI-6000W

Additional Model : I-P-TPI-1000W, I-P-TPI-2000W, I-P-TPI-3000W, I-P-TPI-4000W, I-P-TPI-5000W

Test Standard : EPA3050B:1996, EN1122B:2001, EPA3052:1996, EPA3060A:1996, EPA7196A:1992, EPA3540C:1996, EPA8270D:2007, IEC62321:2008

As shown in the Test Report No. : BST14050326Y-1RR-4.

The EUT described above has been consolidated by us and found in compliance with the council RoHS directive—2011/65/EU.



RoHS



Christina
Manager
May 20, 2014

Shenzhen BST Technology Co.,Ltd.

Add: Building No.23-24, Zhiheng Industrial Park, Guankouer Road, Nantou, Nanshan District, Shenzhen, Guangdong, China

Certificate Search: <http://www.bst-lab.com>, Tel:400-882-9628, 8009990305, E-mail:christina@bst-lab.com

□□□□

1 OEM□□□ODM□□□□□□□□□□□□

□□□□□□□□□□□□□□□□2□□□□□□□□□□□□□□□□

3 24

4

5

000000-0000