

I-P-SPC [http://www.ip-sp.com](#) **500W**



特點

1. [http://www.ip-sp.com](#) 台灣製造

UPS

2. PWM [http://www.ip-sp.com](#)

特點

1. 台灣製造

2. 台灣製造

特點

1. 台灣製造

2. CPU

3. LED LCD

4. AVR UPS AC

5. 台灣製造

6. ;

7. 5

8. 台灣製造

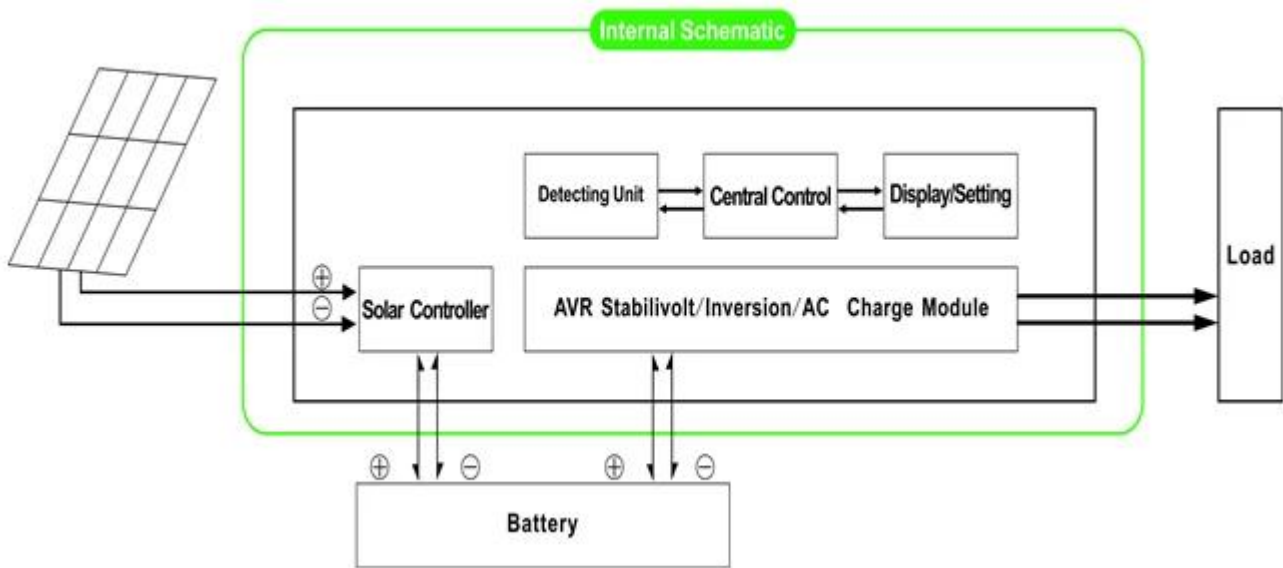
9. [CE / EMC / LVD / RoHS / FCC](#)

10. 2

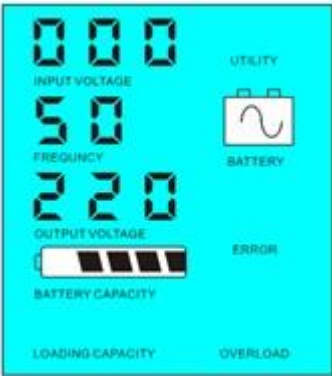
特點

XXXXXXXXXXXXXXXX

1 X ACXX

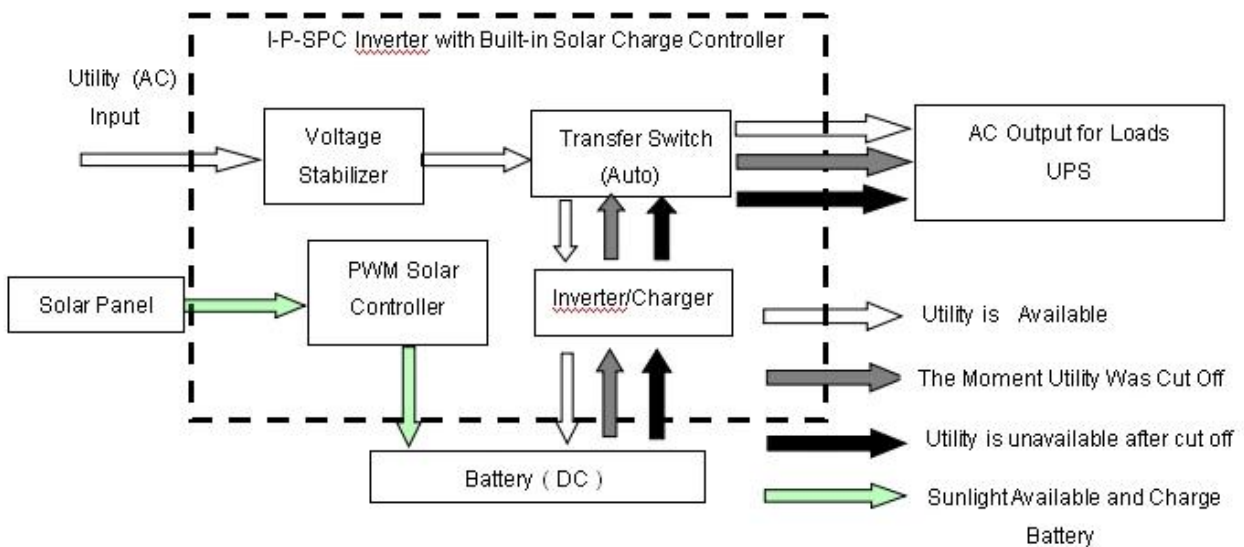


1.1XXXXXXXXXXXXXXXXXXXXXXXXXXXX01XXXXXXXXXXXXACXX ACXXXXXXXXXXXXXXXXXXXXXXXXXXXXLCDXXXXXXXXXXXXXXXXXXXXXXXXXXXX

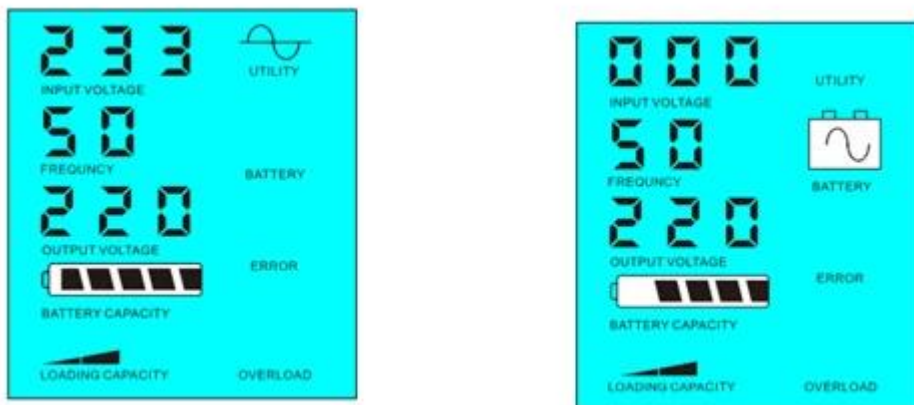


1.2 XXXXXXXXFREQUENCYLCDXXXXXXXX02.IfXXXXXXXXXXXXACXXXXXXXXXXXXXXXXXXXXXXXXXXXX5XX1-6WXXXXXXXXXXXXLCDXXXXXXXX0XX5XXXXXXXXACXX5XXXXXXXXXXXXXXXXXXXX LCDXXXXXXXXXXXXXXXXXXXXXXXXXXXX

Block Diagram of the System



LCD Display



1. When the utility is available, the inverter will automatically switch to utility mode and stop charging the battery. The LCD will display the input voltage, frequency, output voltage, battery capacity, loading capacity, and overload indicator.

Operation

1. When the utility is available, the inverter will automatically switch to utility mode and stop charging the battery. The LCD will display the input voltage, frequency, output voltage, battery capacity, loading capacity, and overload indicator.

2. When the utility is cut off, the inverter will automatically switch to inverter mode and start charging the battery. The LCD will display the input voltage, frequency, output voltage, battery capacity, loading capacity, and overload indicator.

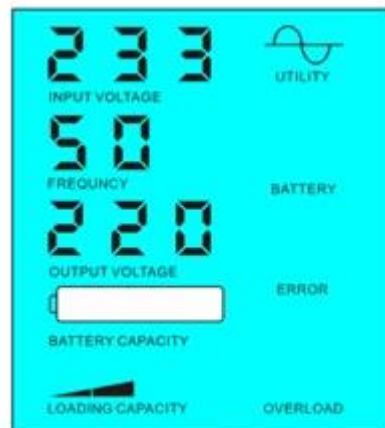
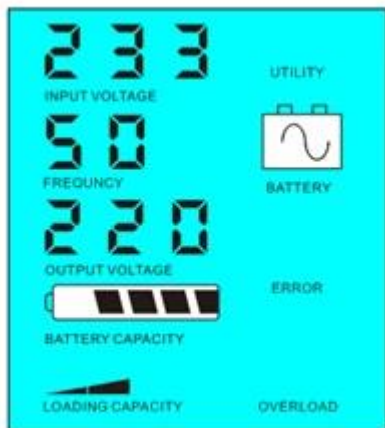
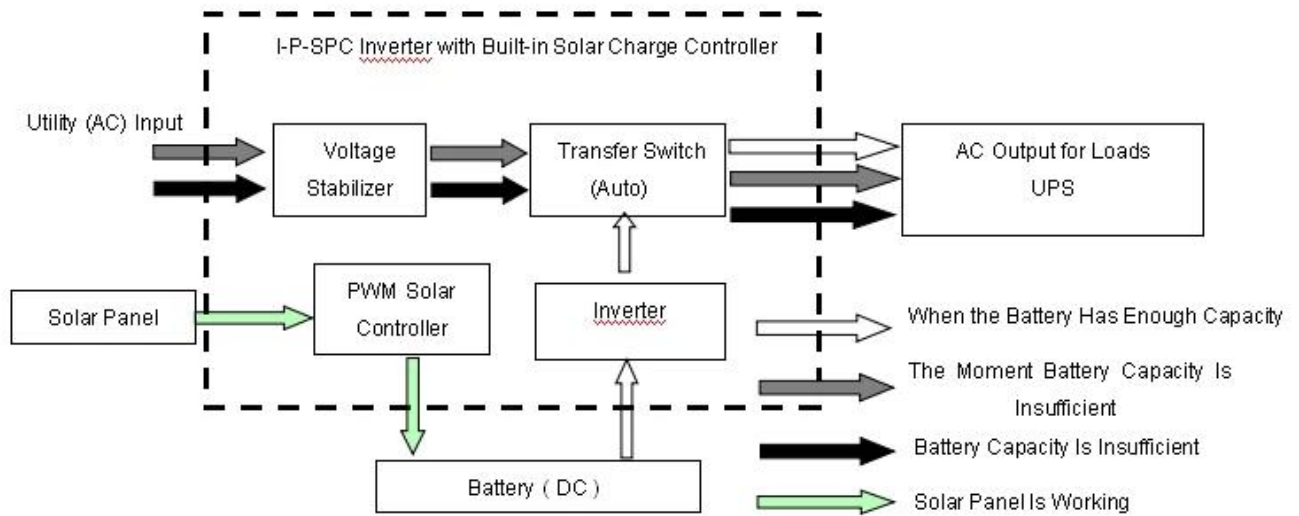
2.2. When the utility is available and the battery is fully charged, the inverter will automatically switch to utility mode and stop charging the battery. The LCD will display the input voltage, frequency, output voltage, battery capacity, loading capacity, and overload indicator.

Parameter Setting

1. When the utility is available, the inverter will automatically switch to utility mode and stop charging the battery. The LCD will display the input voltage, frequency, output voltage, battery capacity, loading capacity, and overload indicator.

2. When the utility is cut off, the inverter will automatically switch to inverter mode and start charging the battery. The LCD will display the input voltage, frequency, output voltage, battery capacity, loading capacity, and overload indicator.

3



1

2

700VA
500W

输出功率		1000W
输入电压		12V~24V
PWM 控制模式	电压	12V~24V
	电流	20A
	PV 保护电压	12V~25V 24V~50V
尺寸 WxDxH mm		335 * 165 * 375
尺寸 WxDxH mm		355 * 185 * 395
重量 kg		8
重量 kg		9
接口	1	交流输入
	2	5V 直流输出
	3	直流输出
AC 输入	电压	220V±3% 110V ± 35%
	频率	3~60Hz±3%±50Hz
AC 输出	电压	220V±3% 230V±3 or 240V±3 100V±3 110V±3
	频率	0.5~60Hz±0.5±50Hz
保护功能	AC 输入	0~15A
	短路保护	
	过温保护	
PV 输入		PV 保护电压 PWM 控制
输出	电压	LED
	电流	
总谐波失真		THD≤3
启动时间		> 120ms > 130ms 10S
功率	功率	1~6W
	电流	1~3A
效率		80~90%
响应时间		<5ms DC / DC AC AC
	温度	-10°C~50°C
		10~90%
		≤4000m

· 本产品的所有参数均以实际测试为准

· 本产品的所有参数均以实际测试为准 R&D 产品 OEM ODM

· 本产品的所有参数均以实际测试为准 parameter.It PWM 控制

