

I-P-SPC [UPS](#) [UPS](#) [UPS](#) **1500W**



UPS

1. [UPS](#)

2. PWM

UPS

1. [UPS](#)

2. UPS

UPS

1. UPS

2. CPU

3. LED LCD

4. [AVR UPS](#) AC

5. UPS

6. ;

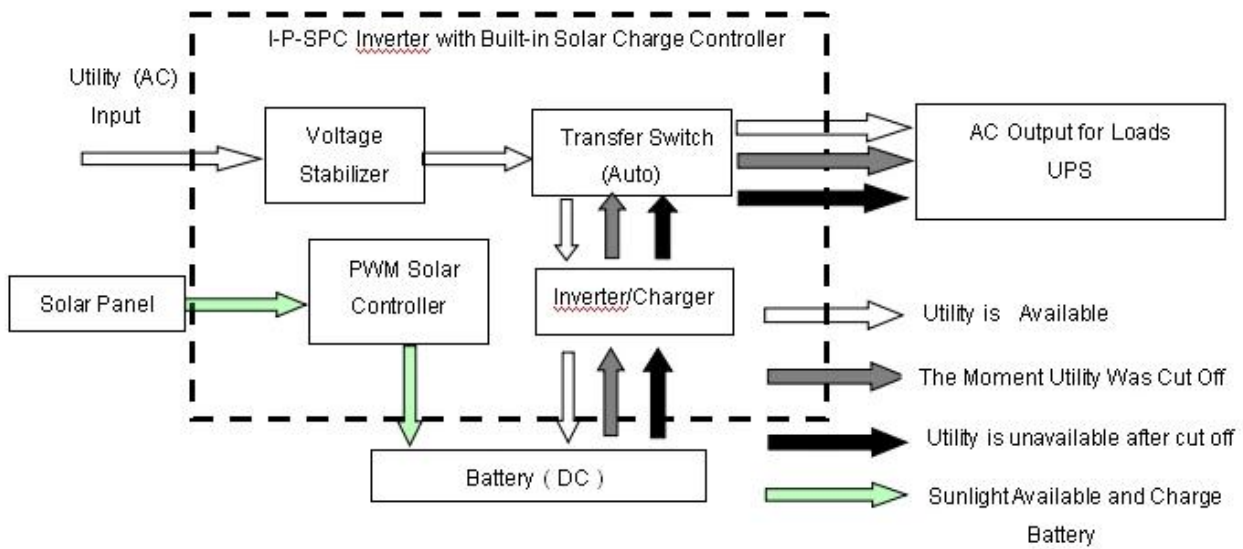
7. 5

8. UPS

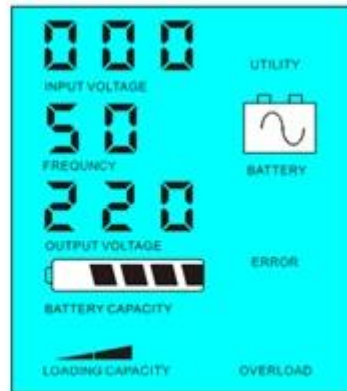
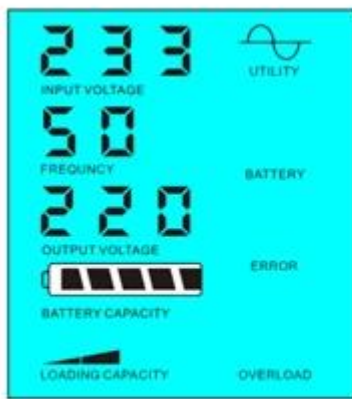
9. CE / EMC / LVD / RoHS / FCC

10. 2

UPS



LCD



Utility supply power and charge battery Without utility and battery supply power

1

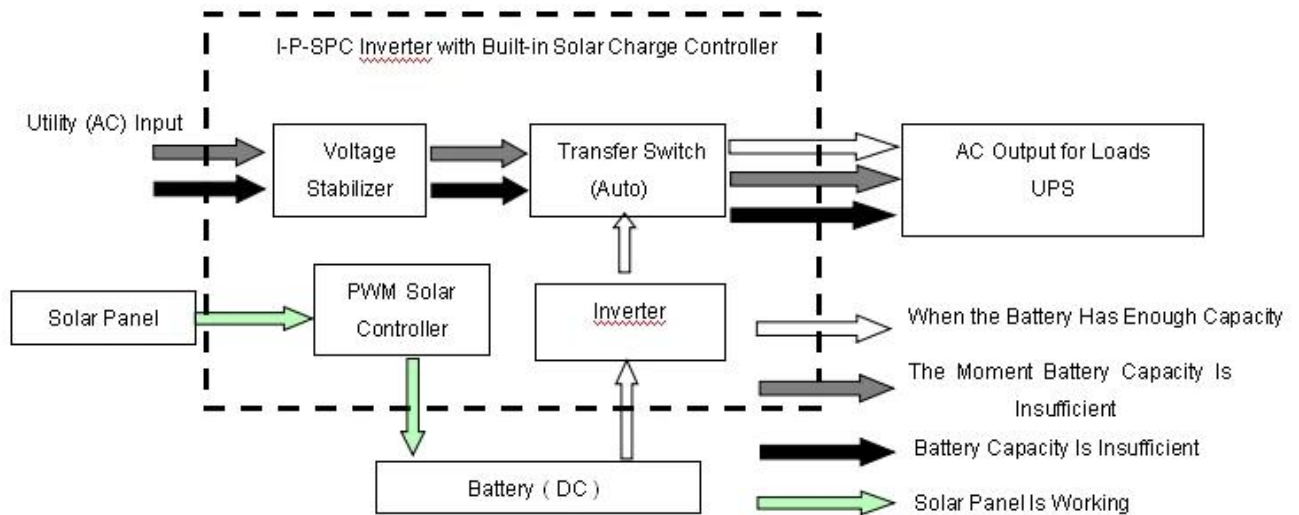
2

2.2 DC 03

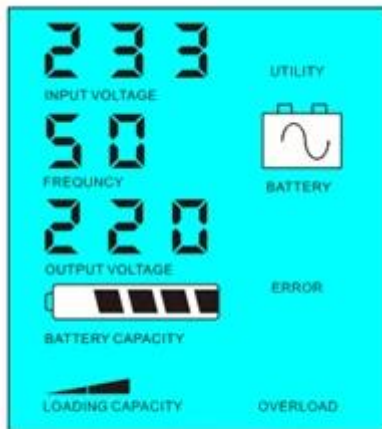
1 AC

2

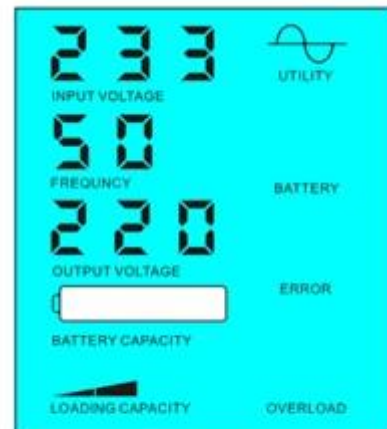
3



LCD



Battery available to supply power



Battery unavailable, utility supply power

1

2 & 038; bill.such

		2000VA
		1500W
		3000W
		24V 48V
PWM		24V 48V
		30A
	PV	24V 50V
		48V 100V

WxDxHmm	350 * 220 * 460	
WxDxHmm	370 * 240 * 480	
kg	20	
kg	22	
	1	AC
	2	5
	3	DC
AC		220V±35 110V + 35±
		3 60Hz±3±50Hz
AC		220V±3 230V±3 or 240V±3 100V±3
		0.5 60Hz±0.5±50Hz
	AC	0 15A
PV	PV PWM	
		+ LED
	THD≤3	
	> 120 1 > 130 10S	
		1 6W
		1 3A
	80 90	
	< 5ms DC / DC AC AC	
		-10°C 50°C
		10 90
		≤ 4000m

·

parameter.R&D OEM ODM

parameter.It PWM

