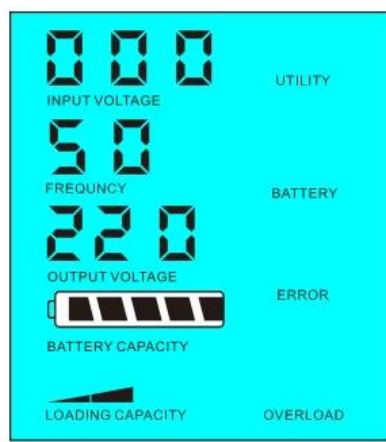
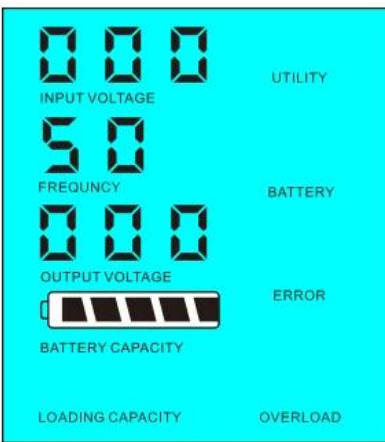


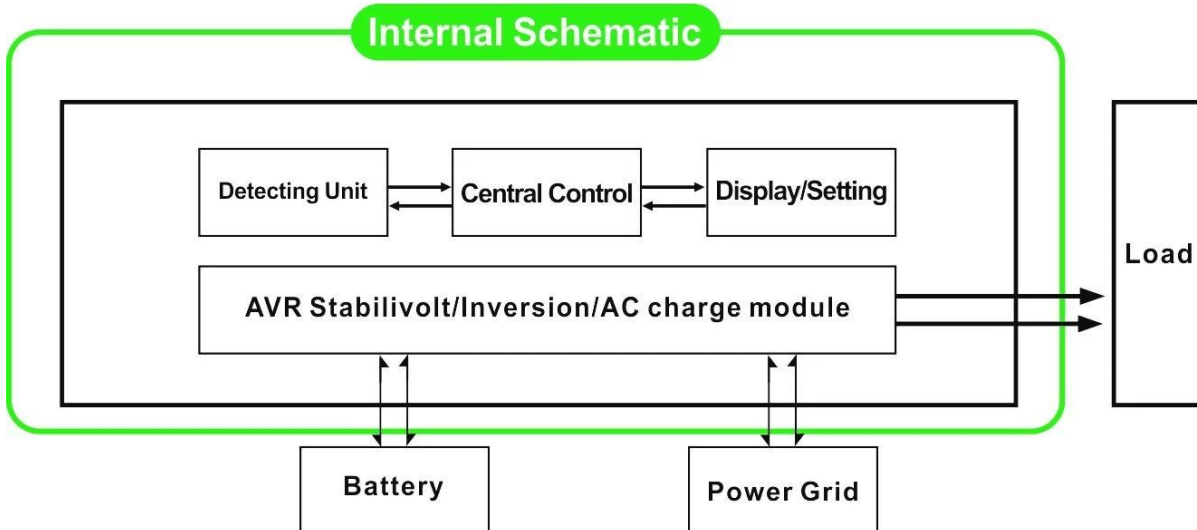
1.2 LCD 000 FREQUENCY 50 AC 220 5 02. If 1-6W LCD 0 5S LCD output



<5

>5

2 UPS AC DC

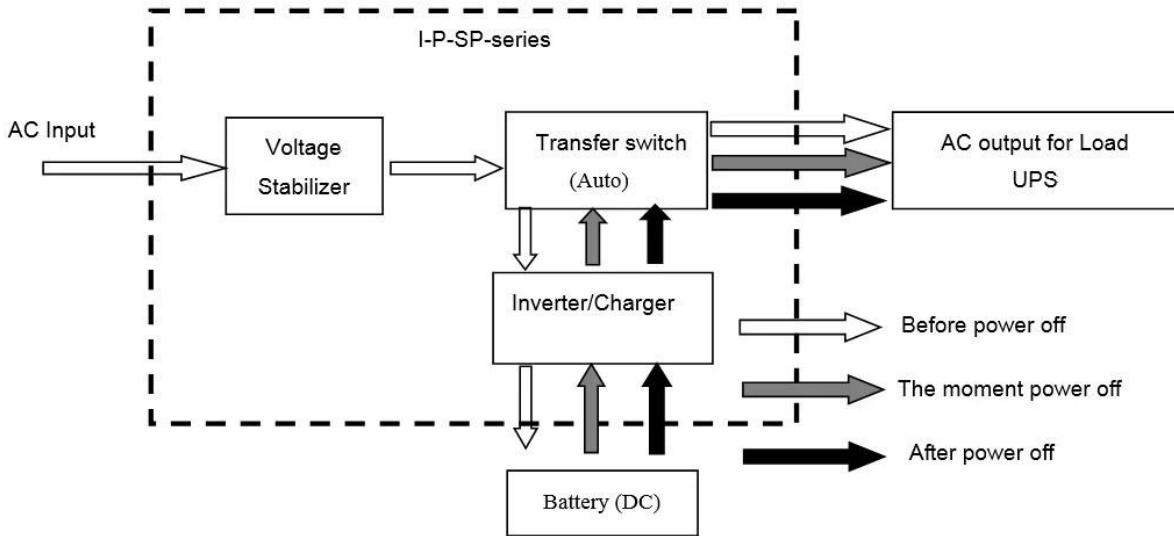


2.1 AC 01

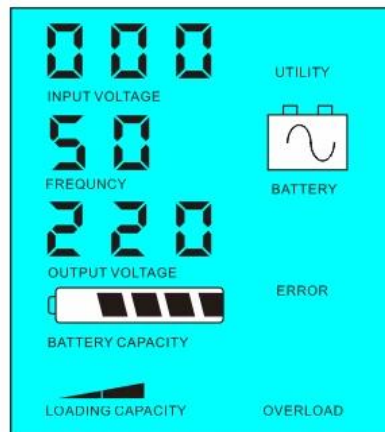
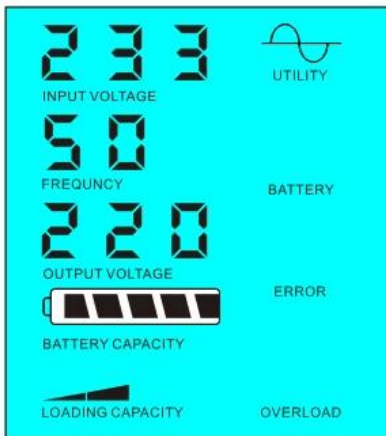
1

2 5ms DC AC

3



LCD



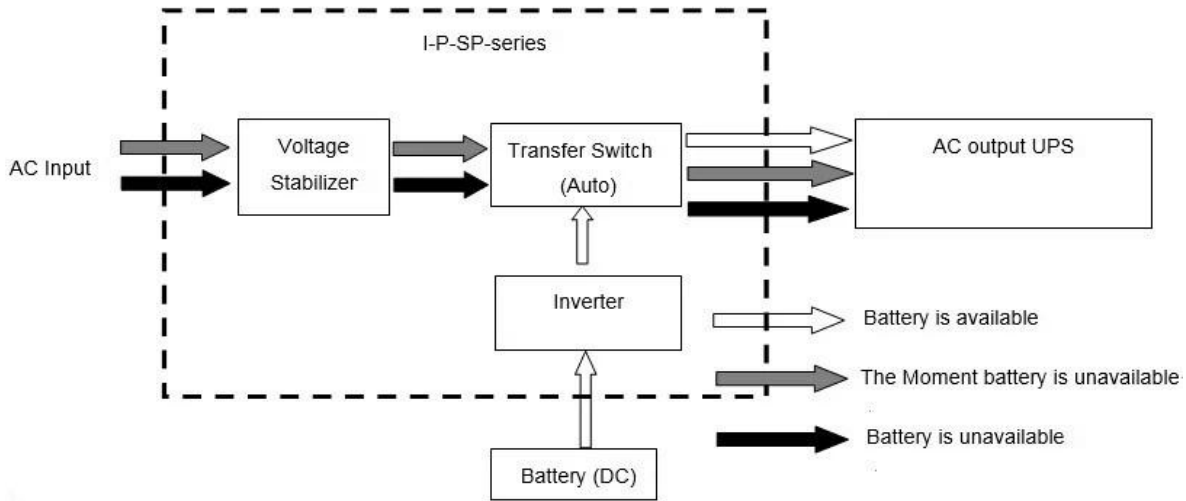
2.2 DC UPS LCD

FREQUENCY 03

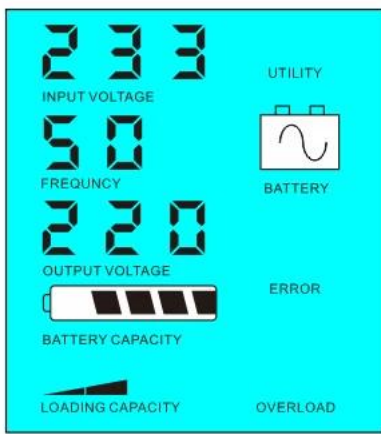
1 AC

2

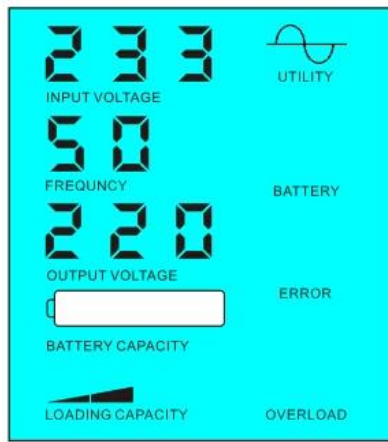
3



LCD



Utility mode LCD display



Battery mode LCD display

Specifications

Model		5000VA
Rated Power		3500W
Max. Power		7000W
Battery Voltage (DC)		48V / 96V / 192V
Dimensions (WxDxH) mm		420 * 260 * 605
Dimensions (WxDxH) mm		440 * 280 * 625
Weight (kg)		31
Warranty		33
Technical Specifications		
Mode	1	AC Input
Mode	2	AC Input
Mode	3	DC Input
AC Input	220V	220V ± 3% / 230V ± 3% / 240V ± 3% / 100V ± 3% / 110V ± 3%
AC Input	Frequency	50Hz ± 0.5% / 60Hz ± 0.5%
AC Input	Current	0 ~ 15A
Output	Voltage	220V ± 3%
Output	Frequency	50Hz ± 0.5%
Output	THD	≤ 3%
Output	Response Time	> 120ms / > 130ms

Power	16W
Current	3A
Frequency	80-90Hz
Response Time	< 5ms (AC/DC / DC/AC)
Operating Temperature	-10°C to 50°C
Dimensions	100x90x100mm
Altitude	≤4000m

Power Inverter

Power Inverter R&D

OEM ODM

etc.

Research 2014 5 5 2TH













中外运敦豪