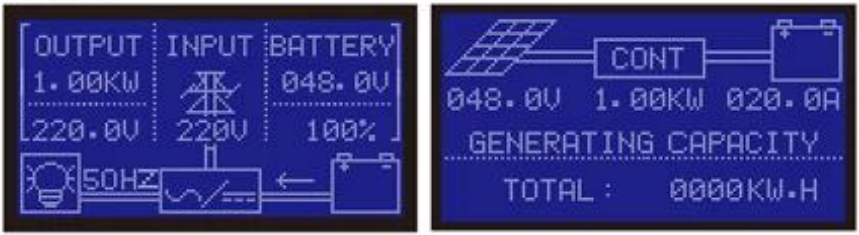


# MPPT IP-HPC

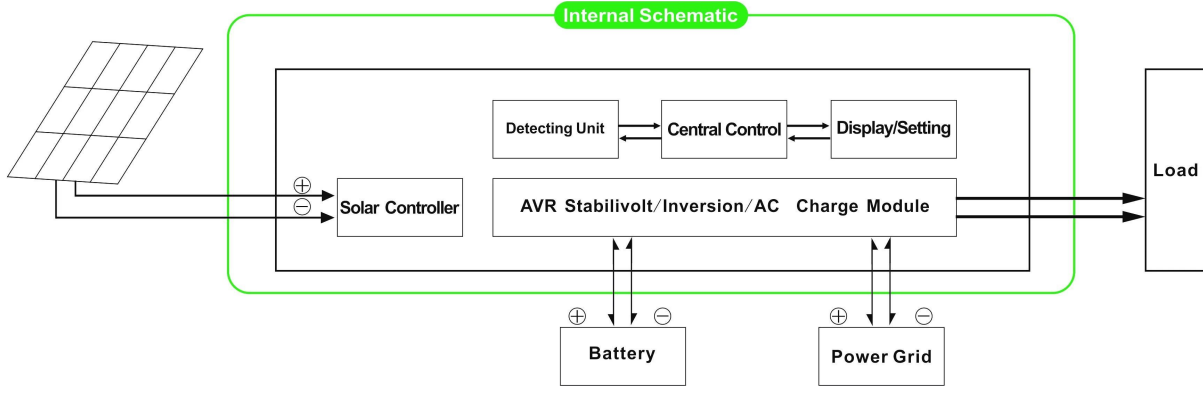


## MPPT

MPPT (Maximum Power Point Tracking) is a technique used in solar power systems to maximize the power output from the solar panels. It adjusts the electrical operating point of solar modules to extract the greatest amount of power from them, even under varying light conditions.

## AC/DC Conversion

1. AC/DC Conversion
2. DC/AC Conversion



## MPPT

1. MPPT

2. CPU

3. MPPT

4.

5.

6.

7.

8.

9. CE / EMC / LVD / RoHS

10.

1.

2.

1.1 PV

1.2 PV AC

2.

2.

2.1 AC DC UPS

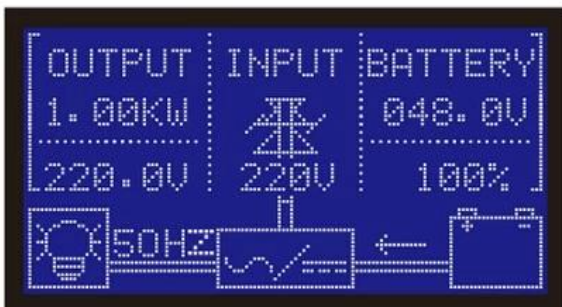
1.

2.

AC

5ms

3.





000000

000000		4000W
000000		4000W
000000		8000W
000000		48V
<b>000000</b>		
000000000000		PV
000000000000		PV+0000000000
MPPT0000000000		48V
000000		40A
000000000000		100V
000000		9500000099000000
000000000000		2272W
AC000000		0~15A
000000		300000
<b>000000</b>		
AC00	00	220V±30000230V±3000240V±3000100V±3000
		0000110V±3000000000
	0000	0.5±0.500060Hz±50Hz0000000000
0000		000000000000000000rate≤3
000000		> 1200100> 1300010S
0000		0.6A
0000000000000000		
0000		1-6W
000000000000		
0000000000		85009200
<b>0000000000</b>		
AC00	00	220V00000000350110V + 350±
	0000	000000000000
AC00	00	220V±50000110V + 5000000000
	0000	000000000000
000000		> 1200100> 1300010S
<b>AC000000DC0000000000</b>		

UPS	AC	AC
	DC	DC
		<5ms DC / DC
		AC
		+LED
		-10°C 50°C
		90° 10°
		≤4000m
WxDxH	mm	450 * 246 * 468
WxDxH	mm	540 * 300 * 518
kg		34
		40

requirement

R&D; OEM

## I-P-HPC-Series System



I-P-HPC-Series Inverter+MPPT Solar Controller

