

# UPS 2KW

□□□□



DC-



DC INPUT		
12V	24V	48V
	✓	

DC+



Remote Port



AC OUTPUT



MAX 5A

AC INPUT | AC OUTPUT



L N E | L N E

Inverter  
Output Protect



Charger  
Input Protect





□□□□

1 3□□□□□□□□□□□□□□□□

2□□□□□□50Hz□□□□□□□□□□□□60 HZ

3□□□□□□DC□□/ AC□□□□□□□□□□□□□□

□□□□□□□□1□6□□□□□□4□□□□□□consumtion

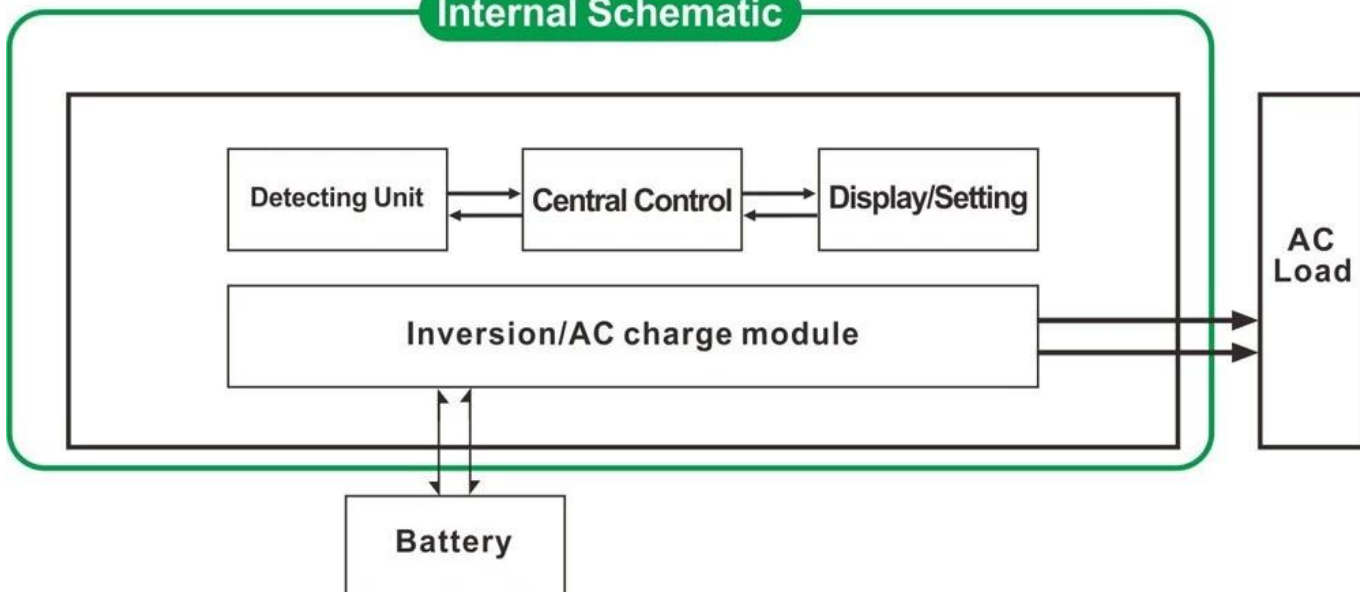
□□□□□□□5□□□□□□□□CC□CV□CF

□□□□□□□□□□□□□□ □□□□□□□□□□

□□

**1.DC / AC**□□□□□

### Internal Schematic



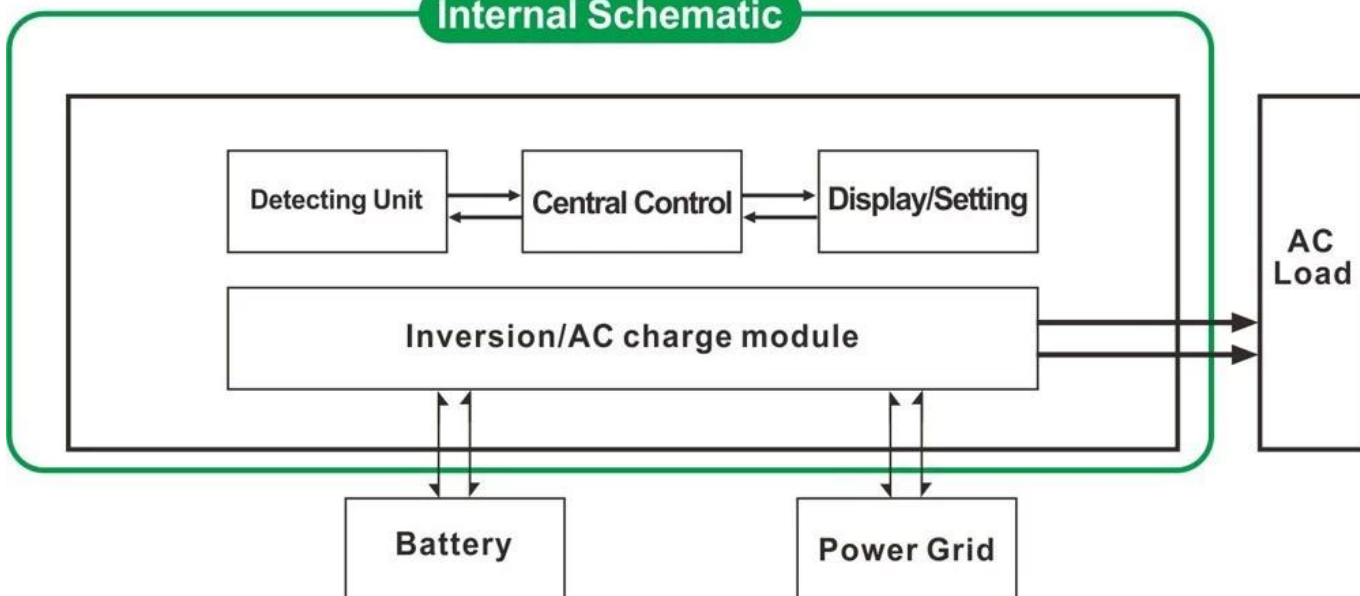
- 2
- 1
- 2
- 3



### 3 UPS

AC DC

### Internal Schematic



- 3.1
- 3.2
- 1
- 2 CPU
- 3 LCD LED

- 4 AC DC 50Hz 60Hz
- 5 87 98 1W 6W
- 6 8
- 7
- 8 3 1KW 1HP 2KW 2HP 3KW 3HP
- 9 5
- 10
- 11 EMC LVD RoHS
- 12 2

		1000W	2000W	3000W	4000W	5000W	6000W
		1000W	2000W	3000W	4000W	5000W	6000W
		3000W	6000W	9000W	12000W	15000W	18000W
DC		12V 24V 48V			24V 48V		
WxDxH mm		318 * 218 * 368			440 * 218 * 400		
WxDxH mm		395 * 275 * 520			520 * 275 * 520		
kg		27	28	30	39	40	51
kg		29	30	32	43	48	53
S-ON		Mode.1-6W					
AC		220V 35 110V + 35 ±					
		50Hz 60Hz					
AC		220V ± 3 ± 230V 3 240V ± 3 100V ± 3 110V ± 3					
		50Hz 60Hz DC / AC					
BAT	12V	1000W	2000W	3000W	4000W	5000W	6000W
	24V	35A	65A	75A	/	/	/
	48V	20A	35A	45A	65A	70A	75A
	10A	15A	30A	35A	40A	50A	
UPS		1 2 OEM					
		CC CV CF					
LED	AC						
	DC						
		+ LED					
		> 120 1 > 130 10S					
		1 6W					
		1 3A					
		87 98					
		< 5ms DC / DC AC AC					
		-10°C 50°C					
		10 90					
		≤ 4000m					

