



MPPT MPPT PV BCHARGE
RS232 / LAN



- MPPT MPPT ≥ 99.5
-
- PV / PV +
- Battery
- \ gel \ FCUN
- PV
-
-
- RS485
- PC WiFi
- CE ROHS FCC
- 12 3 3 10



MPPT		48BL-100A
MPPT	MPPT	MPPT ≥ 99.5
	MPPT	≥ 99.5
		0.5W ~ 1.2W
Max.PV	Max.PV	DC150V
		+ 3V
		+ 2V
		DC150V
	12V	1300W
	24V	2600W

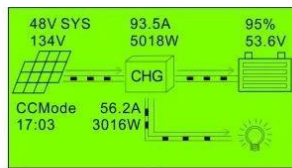
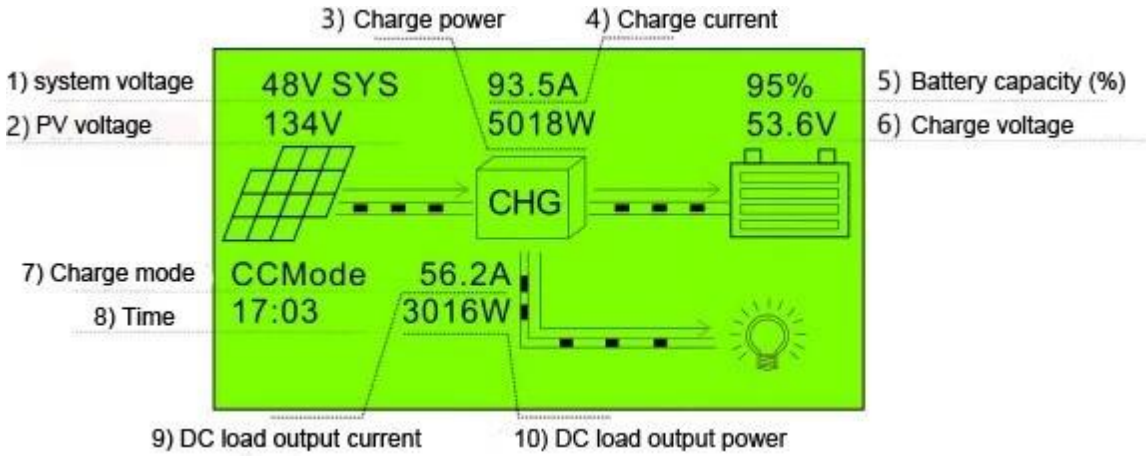
□□□□	□□□□□□□□□□□□□□	□□□□□□□□□□□□□□□□□□□□□□□□□□
	□□□□□□	100a
	□□□□	□□□□□□□□□□□□□□□□□□ - □□□□□□□□
□□□□	□□□□	□□□□□□□□
	□□□□□□	100a
	□□□□□□	□ \ OFF□□□PV□□□□□□□□□□□□□□□□□□□□□□PV +□□□□□□
□□□□□	□□□□	□□LCD□□□□□□□□
	□□□□	8□RJ45□□/RS485/□□PC□□□□□□/□□WiFi□□□□□□□□□□□□□□
□□□□	□□□□	□□□□□□ \ \ \ □□□□□□□□□□□□□□□□□□□□□□□□□□□□□□
	□□□□	-20°C□+50°C
	□□□□	-40°C□+75°C
	IP□□□□□□	IP43
	□□□□□□□□□□	50mm ²
	□□/□□□	7.1
	□□□kg□	8.8
	□□□□□mm□	420*280*95
	□□□□□mm□	510*368*210

□□□□□□□□□□□□

□□□□□

□□	□□	□□
1	1□	MPPT□□□□□□□□□□□□□□□□□□
2	2 pc	□□□□□□□□□□□□□□
3	8□	□□□□□□□□□□□□□□
4	1□	RJ45□□RS232□□□□□□
5	1□	□□□□□□
6	1□	□□
7	1□	□□□□

MPPT



Main Menu
 1.Work Status
 2.Setting
 3.Information

Normal Mode
 Fault: NoFault
 CC Charging
 PV Volt: 134V

Setting
 *1.Ethernet set
 2.Load Set
 3.Time&Data Set

Information
 MPPT CHARGER
 12/24/36/48V 100A
 48V BAT CHG SYS

Normal Mode
 Chg Curr : 93.5A
 Chg Powr : 5018W
 Chg Volt : 53.6V

Setting
 1.Ethernet set
 *2.Load Set
 3.Time&Data Set

IP:192.168.1.18
 GT:192.168.1.1
 Port:8888
 ADR:1

Normal Mode
 Chg Curr : 93.5A
 Chg Powr : 5018W
 Chg Volt : 53.6V

Setting
 1.Ethernet set
 2.Load Set
 *3.Time&Data Set

Load: Time Ctrl
 Total: 0.0KWH
 Firmware: 1.0
 Bat: CustomDef

Normal Mode
 Bat Temp: 28C
 HS Temp: 48C
 Load Curr: 56.2A

Setting
 2.Load Set
 3.Time&Data Set
 *4.Bat Set



asame



MPPT Solar MonitorV1.0 [Minimize] [Maximize] [Close]

IPANDEE MPPT Model: Explorer-M2460 Firmware: V2.6 Serial: 9246111120220419 Message: Click [START EDIT] to modify parameters!

Com Port: COM1

BaudRate: 9600

Address: 1

Opened:

Running State

Standby

Real-time Data

PV Volt: 0.1V
 BAT Volt: 14.2V
 Load Volt: 14.1V
 CHG Curr: 0.0A
 Load Curr: 0.4A
 CHG Power: 0W
 Load Power: 5W
 Inner Temp: 27.0°C
 BAT Temp: 25.0°C
 Alarm Tip: PV Low

Electricity Statistics

Day CHG: 0.0kWh
 Month CHG: 0.0kWh
 Total CHG: 0.0kWh
 Day Used: 0.5kWh
 Month Used: 0.5kWh
 Total Used: 0.5kWh

Bat Parameters Of Controller

Bat Category: FLD System Volt: (Auto)12V
 C.V. Charge: 14.6V Float Charge: 13.8V
 Equalizing V: 14.8V Equalizing T: 30 min
 Max Chg Curr: 60.0A Max Load Curr: 30.0A
 Battery Over: 15.0V Over Recover: 14.8V
 Battery Low: 10.5V Low Recover: 11.0V

Bat Parameters Set

Select Battery

BatType: FLD Sys. Volt: Auto

Max CHG-I: 60.0 A
 Max Load-I: 30.0 A

Lead Acid Battery(9~15V)

C.V. Charge: 14.6 V
 Equalizing V: 14.8 V
 Float Charge: 13.8 V
 Equalizing T: 30 min
 Battery Over: 15.0 V
 Over Recover: 14.8 V
 Battery Low: 10.5 V
 Low Recover: 11.0 V

Lithium Battery

Charge Volt: 14.4 V
 Nominal Volt: 12.8 V
 Battery Over: 15.0 V
 Over Recover: 14.4 V
 Battery Low: 7.6 V
 Low Recover: 6.0 V

Load Output Parameters Of Controller

Load Control Mode: On Mode

Note: If Vbat exceeds the protection, will turn off!

Load Output Set

Light Mode

On Load->PV Low: 20.0 V Off Delay: 10 min
 OffLoad->PV OK: 20.0 V Off Delay: 10 min

Dual Timer Mode

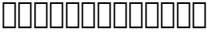
Timer1->On Time: 10 : 10 Off Time: 10 : 10
 Timer2->On Time: 10 : 10 Off Time: 10 : 10

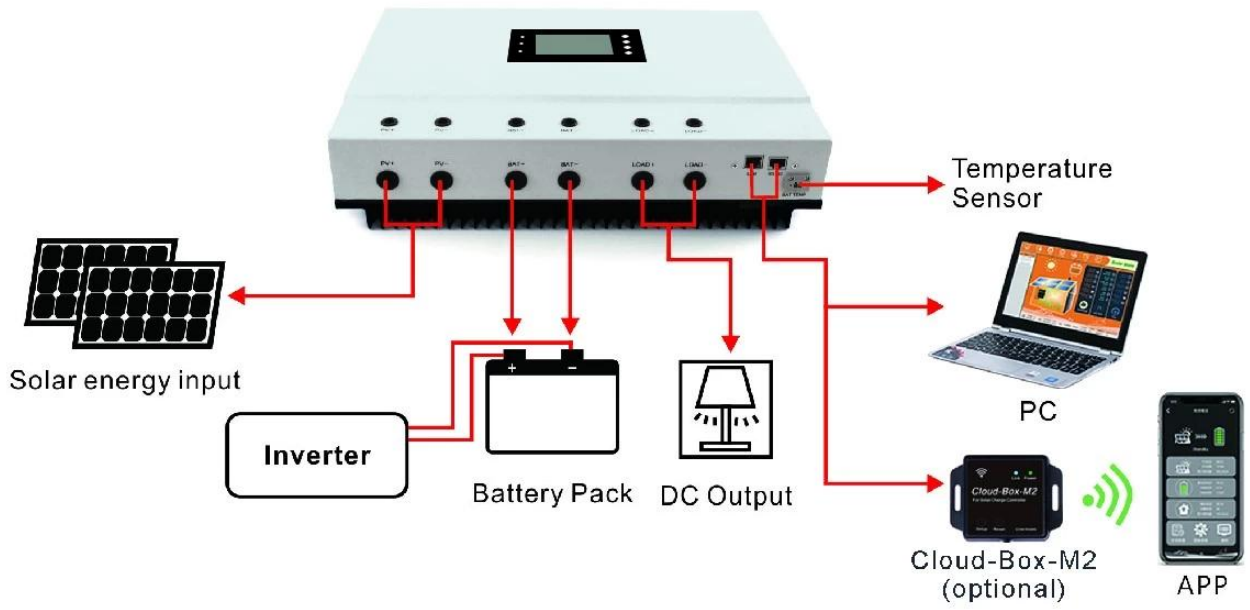
Light-Time Mode

Dark->On Load->PvLow: 20.0 V On Hour: 10 H
 Dawn->OffLoad->Pv Ok: 20.0 V On Hour: 10 H

Load Mode Selection:

Copyright(C)IPANDEE [2022/1] 2022- 4-19 15:37:33 Bytes received: 378468 Bytes sent: 99320 Language: English





□□□□□

