

96V 192V 216V 240V 384V MPPT



New Arrival

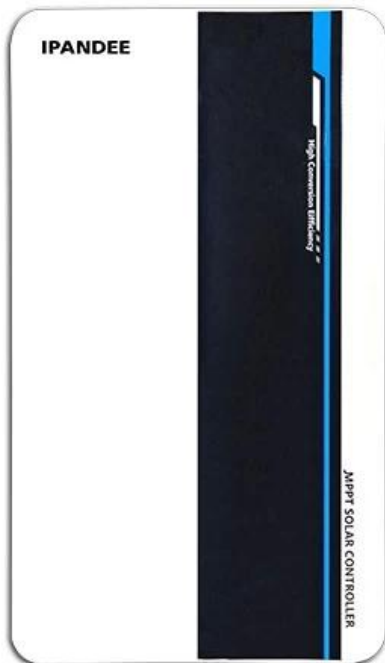
# GALAXY

MPPT Solar Controller

96V 192V 216V 240V 384V



Galaxy MPPT MPPT PV RS485 RS232 LAN



□□□□

□□	□□□□	□□□□PV□□□□	□□□□
Galaxy-B96-XXA	96V □8*12V□	430V	70a; 80a

Galaxy-B192-XXA	192V □16*12V□	430V	50a; 60a
Galaxy-B216□220□-XXA	216V □18*12V□		
Galaxy-B240-XXA	240V □20*12V□	850V	70a; 80a
Galaxy-B384-XXA	384V □32*12V□		

- 1. MPPT MPPT  $\geq 99.5$
  - 2.
  - 3. PV PV +
  - 4. \ gel \ flooded FCUN
  - 5. PV
  - 6.
  - 7. LCD
  - 8. RS485
  - 9. Support PC WiFi
  - 10. CE ROHS FCC
- 11 2 10

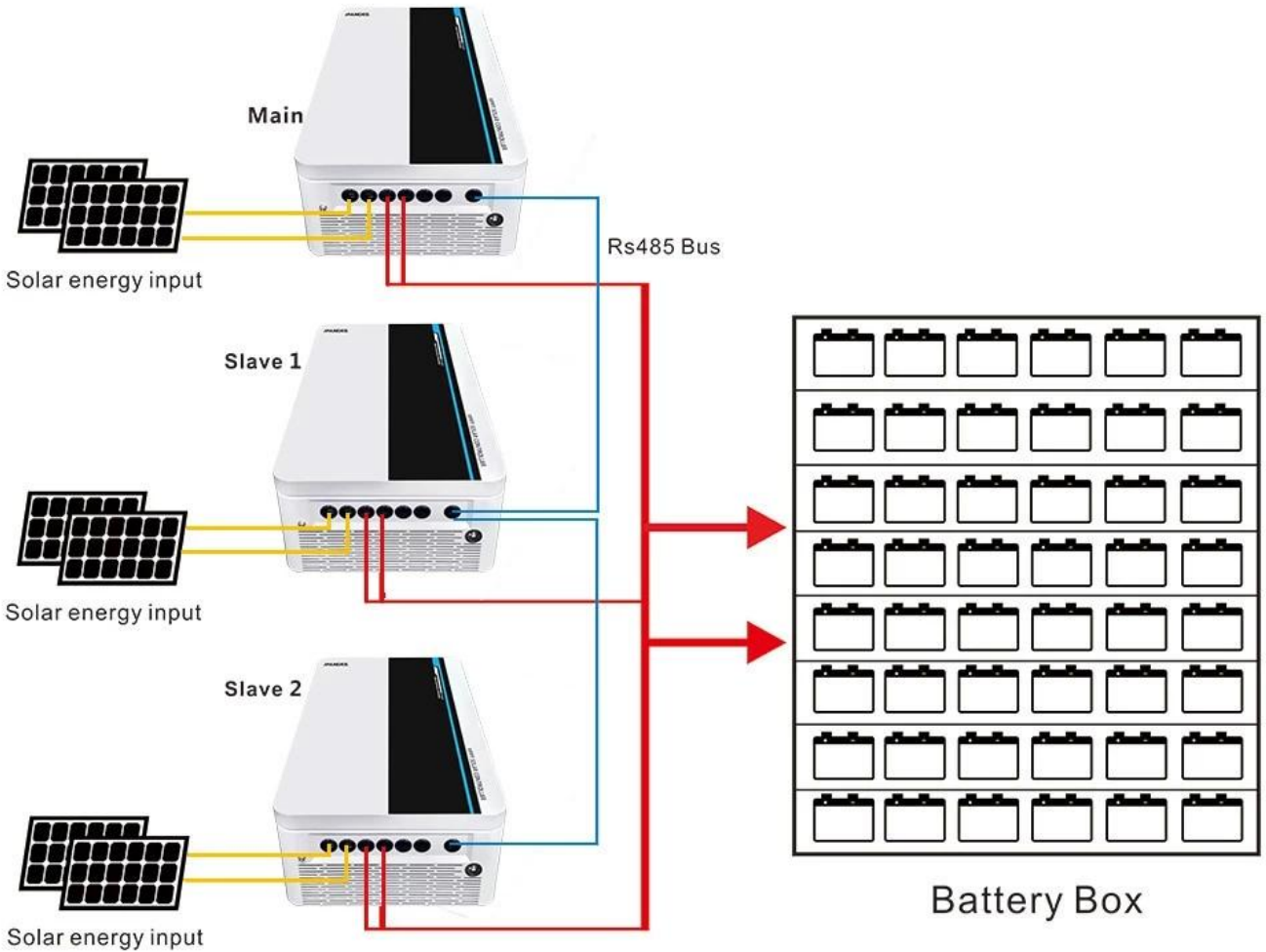
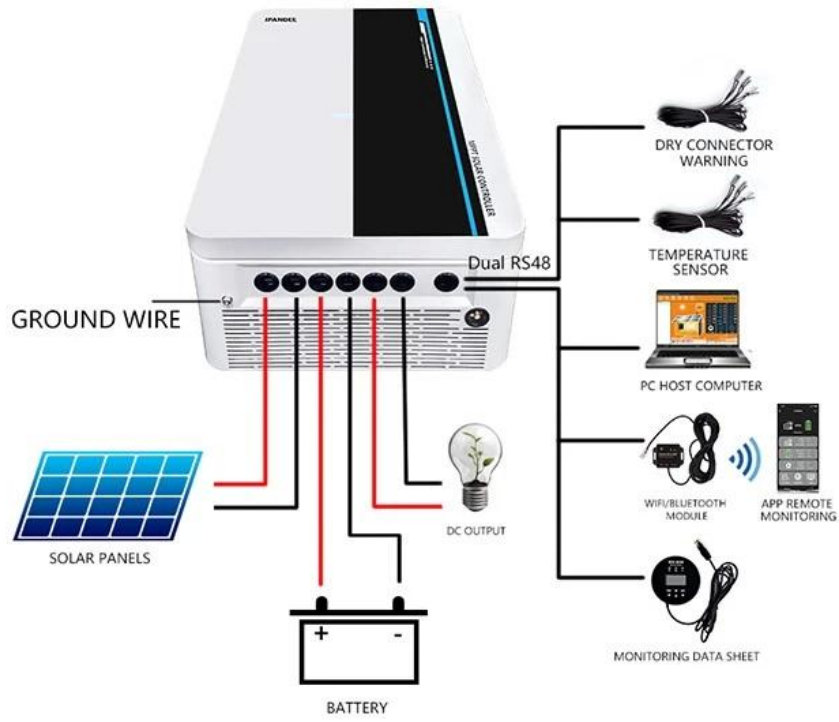
PC



PC

□□	□□ □□□□	B96			B192 \ b216□220□\ b240				
		70a	80a	100a	50a	60a	70a	80a	100a
□□□□	□□□□□□	MPPT□□□□□□□□							
	MPPT□□	≥98□	≥98□	≥98□	≥98□	≥98□	≥98□	≥98□	≥98□
	□□□□	DC96V			DC192V \ DC216V□DC220V□\ DC240V				
	VICENIFICAL□ □	DC72V□DC128V			DC144V□DC256V \ DC162V□DC288V \ DC180V□DC320V				
	□□□□	□□□□□□							
□□□□	□□VMAX-PV	DC430V			DC430V	DC430V	DC660V	DC660V	DC660V
	□□□VSTART-PV	VBAT+20V	VBAT+20V	VBAT+20V	VBAT+20V	VBAT+20V	VBAT+20V	VBAT+20V	VBAT+20V
	□□□low-pv	VBAT+10V	VBAT+10V	VBAT+10V	VBAT+10V	VBAT+10V	VBAT+10V	VBAT+10V	VBAT+10V
	□□□VOVE-PV	DC430V	DC430V	DC430V	DC430V	DC430V	DC660V	DC660V	DC660V
	□□□□□□□	7280W	8320W	10400	10400W \ 11700W \ 13000W	12480W \ 14040W \ 15600W	14560W \ 16380W \ 18200W	16640W \ 18720W \ 20800W	20800W \ 23400W \ 26000W
□□□□	□□□□□□	□□□□□□□□□□□□□□□□□□□□□□ - □□□□□□							
	□□□□□□	70a	80a	100a	50a	60a	70a	80a	100a
□□□□	□□□□	□□□□□□□□			□□□□□□□□		□	□	□
	□□□□□□	70a	80a	100a	50a	60a	□	□	□
	□□□□□□	□ \ OFF□□□PV□□□□□□□□□□□□□□PV +□□□□□□					□	□	□
□□□□□	□□□□	LCD128*64□/□□□□							
	□□□□	8□R□45□□/RS485/□□PC□□□□□/□□WiFi□□□□□□□□□□□□□□							
□□□□	□□□□	□□□□□□ \ \ \ □□□□□□□□□□□□□□□□□							
	□□□□	-20°C□+50°C							
	□□□□	-40°C□+75°C							
	IP□□□□□□	IP21							
	□□/□□□	14.7kg			14.7kg		18.8□□		
	□□□kg□	16.6kg			16.6kg		20.6kg		
	□□□□mm□	371*500*187			371*500*187		391*500*227		
	□□□□mm□	590*420*270			590*420*270		590*440*320		

□□□□□



□□□□□□□□□□□□□□□□□□□□□□□□□□□□