

I-P-HPC-Series System



I-P-HPC-Series Inverter+Solar Controller

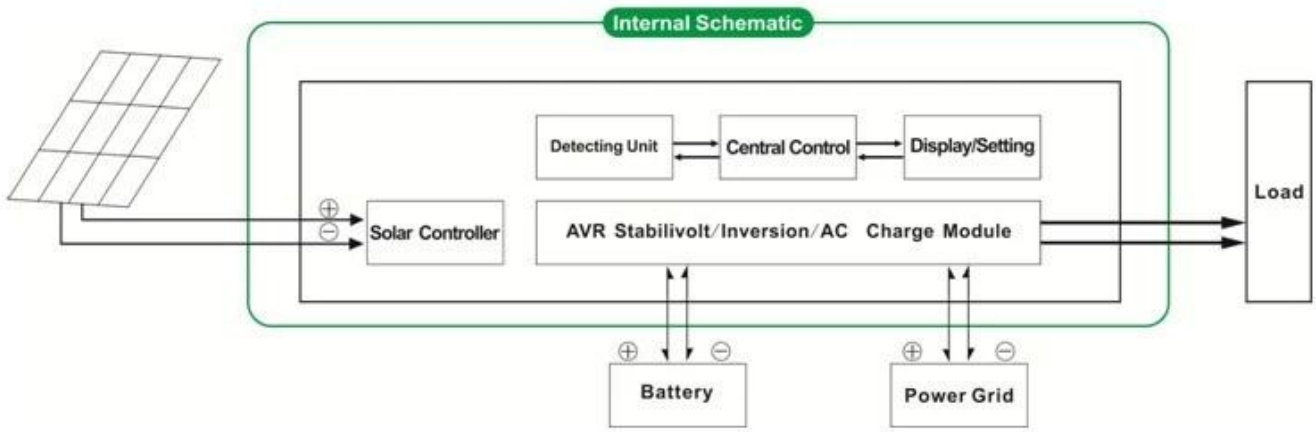
□□

MPPT IP-HPC AC

□□

1

2.Solar



□□

1. Easy to install. To
2. CPU
3. [MPPT](#)
4. Low
5. Intellectual
- 6.
7. Strong
8. Perfect
9. [CE / EMC / LVD / RoHS](#)
10. Two

□□

1. Charging
 - 1.1 PV only
 - 1.2 +
2. Utility
 - 2.1

- 1.
- 2.

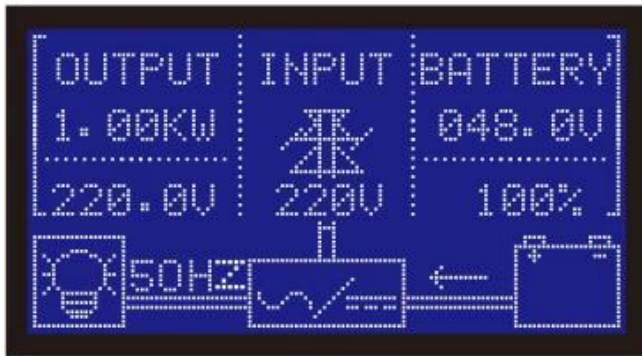
□□□□□□

3. Timing

- 2.
- 3.1.
- 3.2.

4. /

- 4.1.
- 4.2.



□□







□□

□□□□	□□□□	1000W	1500W	2000W	3000W	4000W	5000W
□□□□□□	□□□□□□	1000W	1500W	2000W	3000W	4000W	5000W
□□□□	□□□□	2000W	3000W	4000W	6000W	8000W	10000W
□□	□□□□□□	24V	24V / 48V□□□□			48V	
□□□□□□	□□□□□□□□						
□□□□□□□□	□□□□□□□□	24V	24V / 48V			48V	
□□	□□□□□□□□	20A	25A	30A	40A	40A	40A
□□□□□□□□	□□□□□□□□	100V					
□□□□□□□□	□□□□□□□□	95□□99□					
□□□□□□□□	□□□□□□□□	568W	24V□710W	24V□852W	24V□1136W	2272W	2272W
□□	□□□□□□		48V□1420W	48V□1704W	48V□2272W		
□□	□□□□□□	0□15A					
□□□□	□□□□□□						
□□□□	□□□□□□						
AC□□	□□	220V±3□□230V±3□□240V±3□□100V±3□					
□□	□□	□110V±3□□□□□□					
□□	□□	50HZ±0.5□60HZ±0.5□□□□□					

THD	THD≤3						
THD	> 120% 100% > 130% 10%						
AC	0.4A	24V 0.5A	24V 0.7A	24V 0.7A	0.6A	0.65A	
AC		48V 0.4A	48V 0.45A	48V 0.5A			
Power	1.6W						
Dimensions	85 92						
AC Input	220V±35% 110V + 35%						
AC Input	220V±5% 110V + 5%						
THD	> 120% 100% > 130% 10%						
AC/DC	AC/DC						
UPS	DC/AC						
Efficiency	< 5% AC/DC / DC/AC						
Efficiency	AC/DC						
Efficiency	DC/AC						
Display	LCD + LED						
Display	LCD + LED						
Display	LCD + LED						
Temperature	-10°C ~ 50°C						
Humidity	10% ~ 90%						
MTBF	≥4000m						
Dimensions (mm)	438 * 208 * 413			450 * 246 * 468			
Dimensions (mm)	520 * 310 * 460			540 * 300 * 518			
Weight (kg)	15	17	19	25	34	35	
Weight (kg)	16	18	20	27	40	41	