

96V 192V 216V 240V 384V MPPT



New Arrival

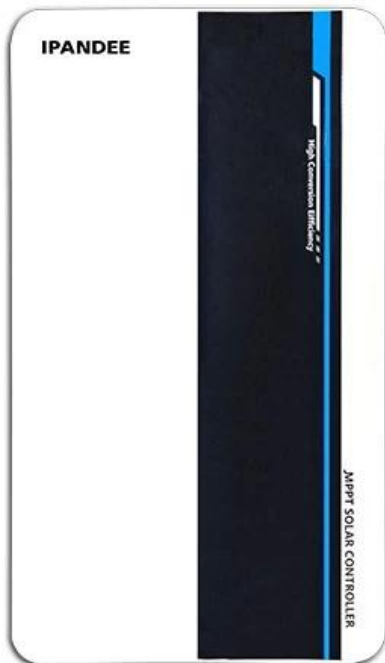
# GALAXY

MPPT Solar Controller

96V 192V 216V 240V 384V



Galaxy MPPT MPPT PV RS485 RS232 LAN



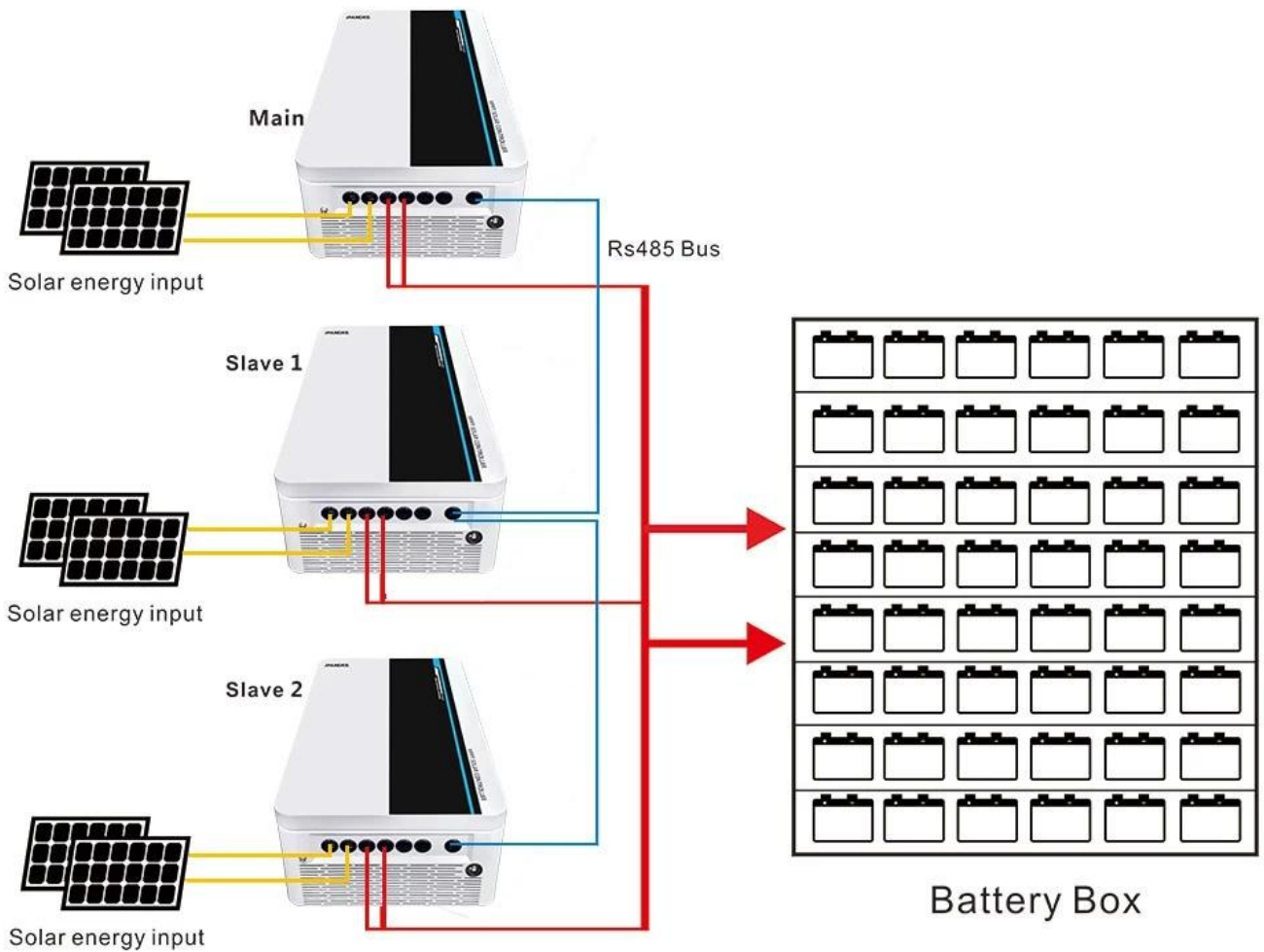
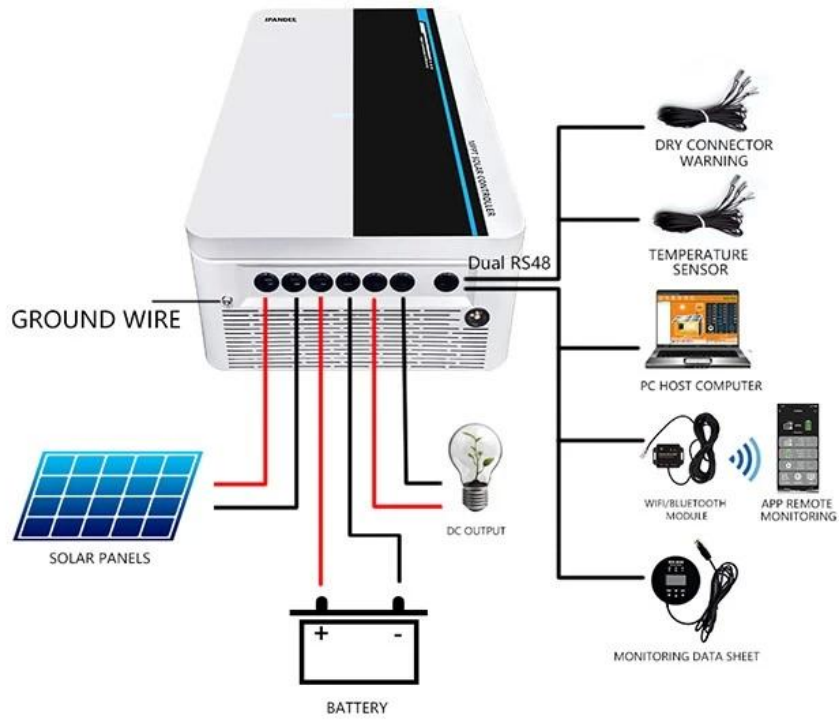
□□□□

□□	□□□□	□□□□PV□□□□	□□□□
Galaxy-B96-XXA	96V □8*12V□	430V	70a; 80a



□□	□□ □□□□	B96			B192 \ b216□220□ \ b240				
		70a	80a	100a	50a	60a	70a	80a	100a
□□□□	□□□□□□	MPPT□□□□□□□□							
	MPPT□□	≥98□	≥98□	≥98□	≥98□	≥98□	≥98□	≥98□	≥98□
	□□□□	DC96V			DC192V \ DC216V□DC220V□ \ DC240V				
	VICENIFICAL□ □	DC72V□DC128V			DC144V□DC256V \ DC162V□DC288V \ DC180V□DC320V				
□□□□	□□□□□□								
□□□□	□□VMAX-PV	DC430V			DC430V	DC430V	DC660V	DC660V	DC660V
	□□□VSTART-PV	VBAT+20V	VBAT+20V	VBAT+20V	VBAT+20V	VBAT+20V	VBAT+20V	VBAT+20V	VBAT+20V
	□□□Vlow-pv	VBAT+10V	VBAT+10V	VBAT+10V	VBAT+10V	VBAT+10V	VBAT+10V	VBAT+10V	VBAT+10V
	□□□□VOVE-PV	DC430V	DC430V	DC430V	DC430V	DC430V	DC660V	DC660V	DC660V
	□□□□□□□□	7280W	8320W	10400	10400W \ 11700W \ 13000W	12480W \ 14040W \ 15600W	14560W \ 16380W \ 18200W	16640W \ 18720W \ 20800W	20800W \ 23400W \ 26000W
□□□□	□□□□□□□□	□□□□□□□□□□□□□□□□□□□□□□□□ - □□□□□□							
	□□□□□□	70a	80a	100a	50a	60a	70a	80a	100a
□□□□	□□□□	□□□□□□□□			□□□□□□□□		□	□	□
	□□□□□□	70a	80a	100a	50a	60a	□	□	□
	□□□□□□	□ \ OFF□□□PV□□□□□□□□□□□□□□□□PV +□□□□□□					□	□	□
□□□□	□□□□	LCD128*64□/□□□□							
	□□□□	8□R□45□□/RS485/□□PC□□□□/□□WiFi□□□□□□□□□□□□□□							
□□□□	□□□□	□□□□□□ \ \ \ \ □□□□□□□□□□□□□□□□							
	□□□□	-20°C□+50°C							
	□□□□	-40°C□+75°C							
	IP□□□□□□	IP21							
	□□/□□□	14.7kg			14.7kg		18.8□□		
	□□□kg□	16.6kg			16.6kg		20.6kg		
	□□□□□mm□	371*500*187			371*500*187		391*500*227		
	□□□□□mm□	590*420*270			590*420*270		590*440*320		

□□□□



□□□□□□□□□□□□□□□□□□□□□□