

# China Factory Pure Sine Wave Inverter with Battery Charger UPS 6KW

Detailed pictures



DC-



DC INPUT		
12V	24V	48V
	✓	

DC+



Remote Port



AC OUTPUT



MAX 5A

AC INPUT | AC OUTPUT



L N E | L N E

Inverter  
Output Protect



Charger  
Input Protect





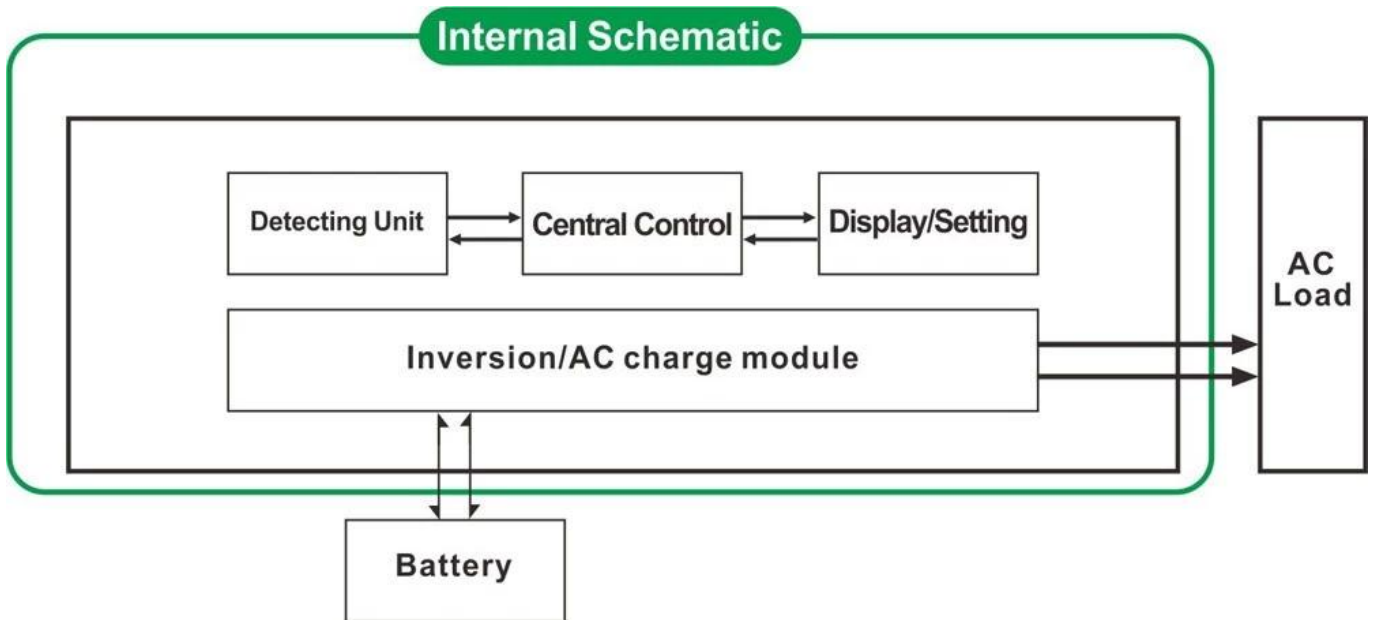
### **Key Features**

1. Surge power of the inverter upto 3 times
2. Output Frequency: 50HZ or 60 HZ adjustable by users
3. Work Modes: DC first / AC first adjustable by users
4. Low power consumption under sleep mode, 1-6w
5. Three charge stage to battery: CC, CV, CF

To get specification, please download here: <http://www.solarcontroller-inverter.com/download/7.htm>

### **Function**

- 1.DC/AC Conversion Function



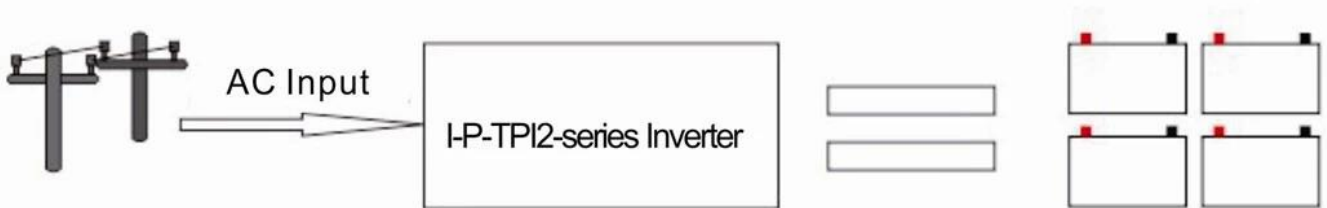
## 2. High-power intelligent charging function

1 It Can charge 8 kinds of batteries (detail please check parameter)

2 High charging power (detail please check parameter)

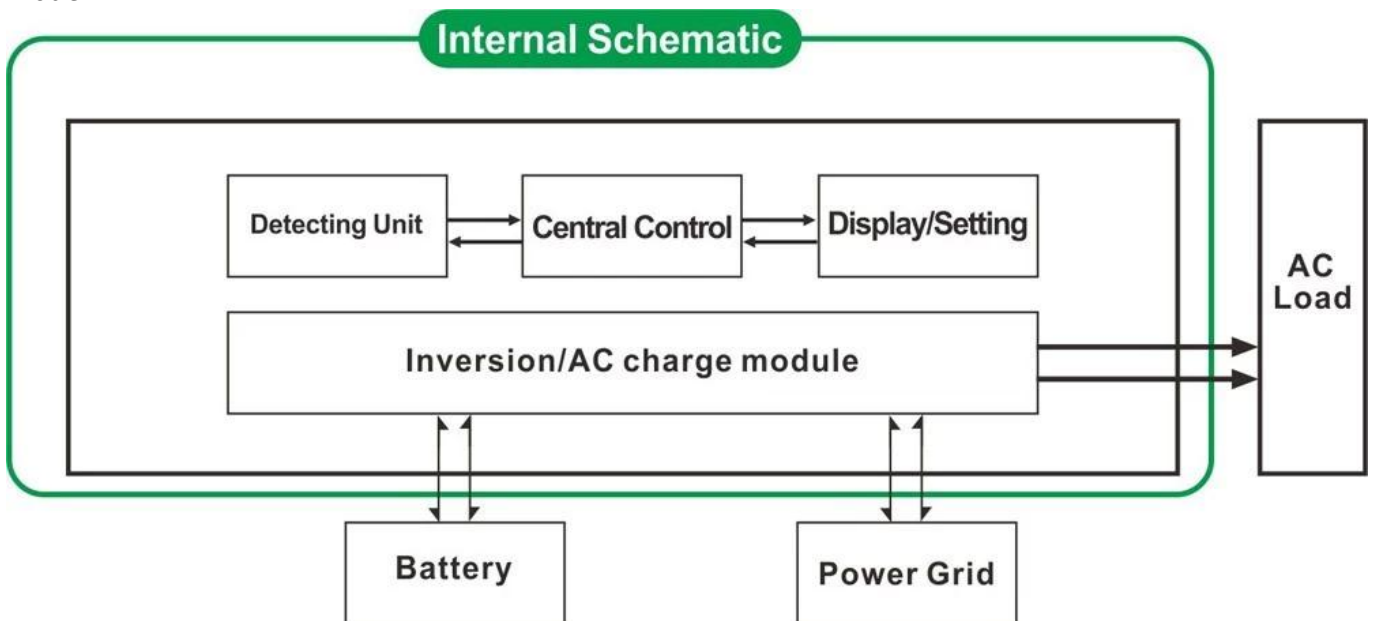
3 Three-stage charging mode: Constant current charging stage (CC), Constant voltage charging stage (CV),

Float charging stage (CF)



## 3. UPS function

It can be set as utility first (AC first) battery standby mode or battery first (DC first) utility standby mode.



3.1. Utility first, battery standby UPS mode (on the panel turn the button to "AC")

3.2. Battery first, utility standby UPS mode (on the panel turn the button to "DC").

## Features

1. [Pure sine wave](#) output
2. CPU management, intelligent control□modular design
3. LCD and LED display can show the parameters and inverter working status.
4. Users can set it in sleep mode or normal working mode and set output priority (AC first or DC first).  
The output frequency (50Hz or 60Hz) can be chosen.
5. High conversion efficiency (87%-98%), low power consumption (1W~6W under sleep mode). It is the best choice of inverters for solar power system
6. The inverter can charge 8 kinds of batteries such as sealed lead acid battery, open lead-acid battery, gel battery. Kindly note: The lithium battery can be charged also, the related parameters need to be set in factory.
7. High charging power and the charging function can be closed
8. This series of inverters have strong load-carrying ability and overload capacity. The peak power is 3 times of the rated output power. For example, 1KW model can drive 1HP air conditioner, 2KW model can drive 2HP air conditioner, 3KW can drive 3HP conditioner.
9. Adopting the latest American low frequency circuit design, brand new imported electric materials, pure copper transformer, the system is very stable long service life(more than 5 years under normal use)
10. Perfect protection (low input voltage protection, high input voltage protection, over temperature protection, short-circuit protection, overload protection)
11. EMC□LVD□RoHS certification approvals
12. 2-year warranty and life-time technical assistance.

## Specification

Parameter Model	1000W	2000W	3000W	4000W4000W 4000W	5000W	6000W
Rated Output Power	1000W	2000W	3000W	4000W	5000W	6000W
Peak Power	3000W	6000W	9000W	12000W	15000W	18000W
Battery Voltage(DC)	12V or 24V or 48V(optional)			24V or 48V(optional)		
Size W×D×H(mm)	318*218*368			440*218*400		
Packing Size W×D×H(mm)	395*275*520			520*275*520		
Net Weight (kg)	27	28	30	39	40	51
Gross Weight (kg)	29	30	32	43	48	53
Working Mode □Setting□	ON	Normal working mode				
	S-ON	Sleep Mode.1-6W consumption When load's power higher than 5% rated output power, it will start to work automatically				
	OFF	Completely off				
AC Input	Voltage	220V±35% or 110V+35%(optional)				
	Frequency	50HZ or 60HZ				
AC Output	Voltage	220V±3% or 230V±3 or 240V±3% or 100V±3% or 110V±3%(optional)				
	Frequency	Frequency is the same as utility's frequency in utility mode. Frequency 50Hz or 60Hz(optional) in DC/AC convert mode				

Utility Charging (Battery type "0" means that AC charging function is closed)	AC	BAT	1000W	2000W	3000W	4000W	5000W	6000W	
	Charge Current (Max)	12V	35A	65A	75A	/	/	/	
		24V	20A	35A	45A	65A	70A	75A	
		48V	10A	15A	30A	35A	40A	50A	
	Battery Type		American Gel Battery, Wool Battery 1, Wool Battery2, Sealed Lead Acid Battery, Europe Gel Battery, Open Lead Acid batteries, Calcium Battery, De-Acid Battery or OEM Battery						
	Charging Mode		Three-stage charging□CC, CV, CF						
Charging Time		Decided by battery capacity and quantity							
Battery Protection		Automatic detection□charge and discharge protection, intelligent management							
UPS Priority	AC	Utility first, battery standby							
	DC	Battery first, utility standby							
Display	Display Mode		LCD+LED						
	Display Information		Input voltage□output voltage□output frequency□battery capacity□Load condition□Status Information						
Output Wave Type			Pure sine wave						
Overload Ability			□120% 1 min□□130% 10s						
Power Consumption	Sleep Mode		1~6W						
	Normal Mode		1~3A						
Conversion Efficiency			87%~98%						
Transfer Time			□5ms □AC to DC / DC to AC□						
Protection			Overload output□short-circuit□high-voltage input□ low-voltage input□overheats						
Environment	Temperature		-10°C□50°C						
	Humidity		10%□90%						
	Altitude		≤4000m						

## **Certificates**

[ISO2008](#)

[ISO2004](#)

[CE-EMC](#)

[CE-LVD](#)

[FCC](#)

[RoHS](#)

## **Service and contact**

1. [OEM and ODM orders](#) are provided.
2. Power solution consult available based on technical group
3. 24 months warranty; lifelong time extended technical service.
4. Any of your questions will be guided by professional technical team.
5. Free technical study and discussion on products are provided every year.

One of our other Key product: [I-P-Smart2 MPPT charge controller](#).