

# 4000VA 24V 220V UPS





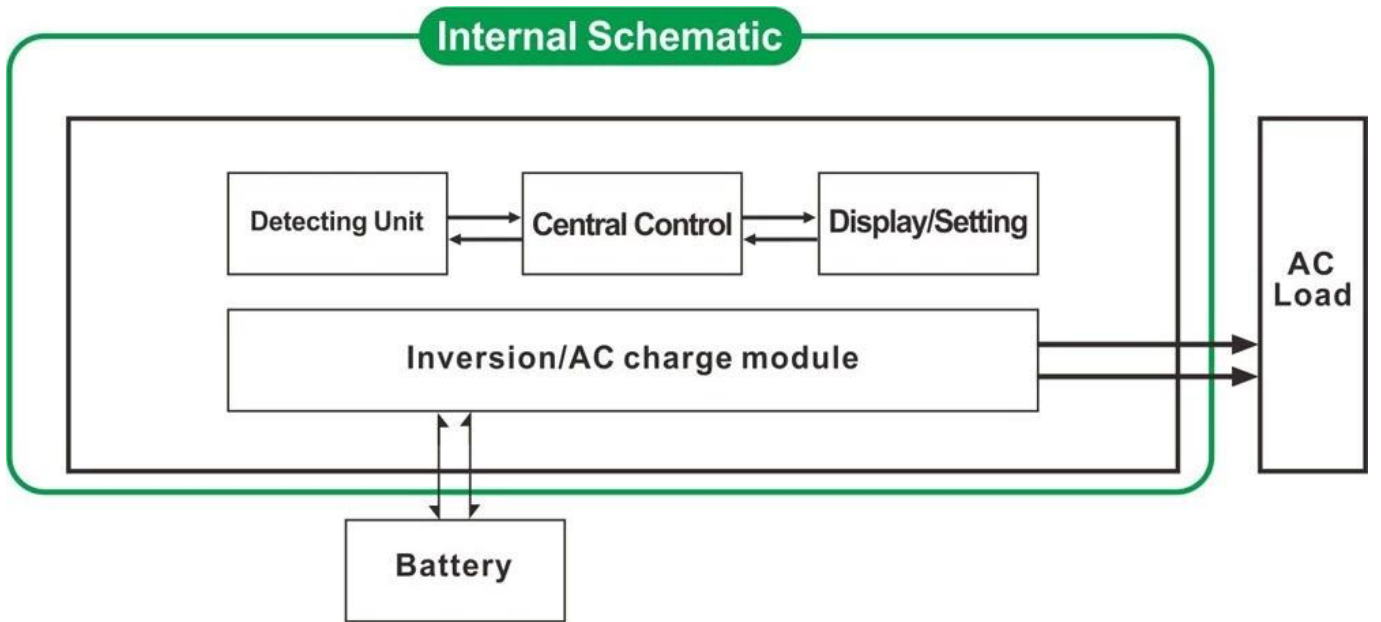
□□□□

- 1. □□□□3□□□□□□□□
- 2. □□□□□50Hz□60Hz□□□□□
- 3. □□□□□□□□DC / AC□□□□□□□□
- 4. □□□□□□□1-6w
- 5. □□□□□□□□□□CC□CV□CF

□□□□□□□□ □□□□□□

□□

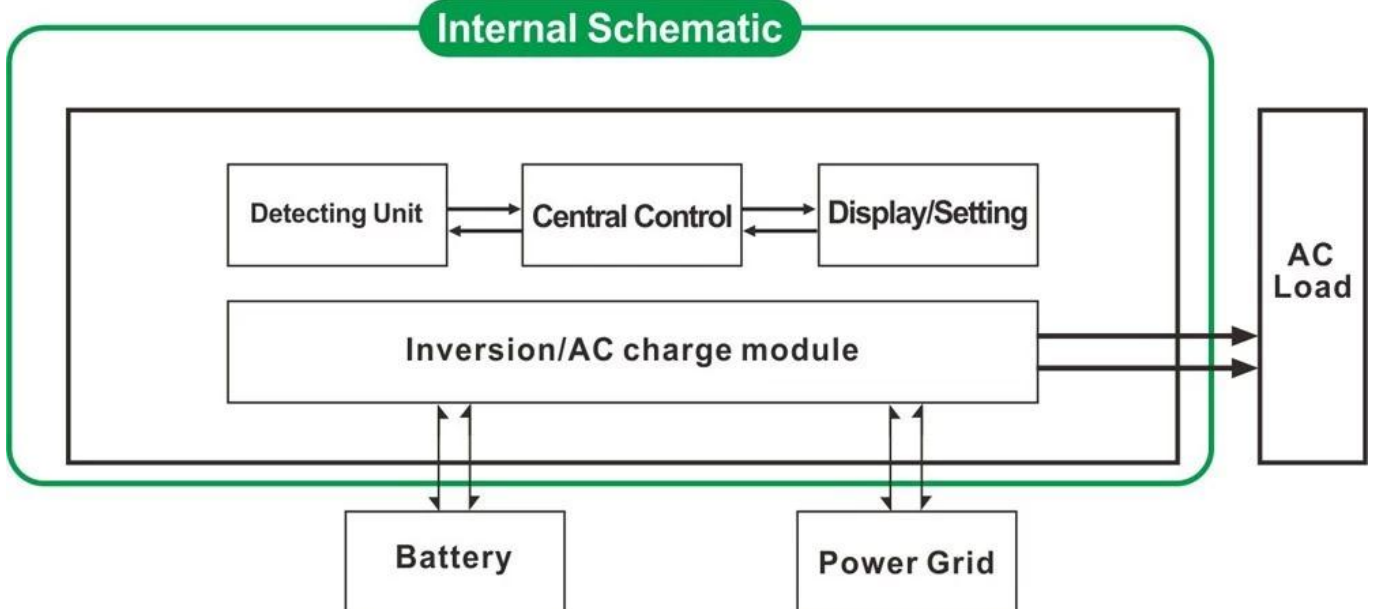
**1.DC / AC**□□□□□



2. 1. 2. 3.



3. UPS



- 3.1.
- 3.2.

- 1.
2. CPU

3. LCD LED

4. AC DC 50Hz 60Hz

5. 87-98 1W 6W

6. 8

7.

8. 3 1KW 1HP 2KW 2HP 3KW 3HP

9. 5

10.

11. EMC LVD RoHS

12. 2

DC

x x mm

x x mm

/

kg

AC

AC

UPS

	1000W	2000W	3000W	4000W	5000W	6000W
	1000W	2000W	3000W	4000W	5000W	6000W
	3000W	6000W	9000W	12000W	15000W	18000W
	12V 24V 48V			24V 48V		
	318 * 218 * 368			440 * 218 * 400		
	395 * 275 * 520			520 * 275 * 520		
	27	28		39	40	51
	29		32	43	48	53

Mode.1-6W 5

220V±35 110V + 35  
50Hz 60Hz

220V±3 230V±3 240V±3 100V±3  
110V±3

	1000W	2000W	3000W	4000W	5000W	6000W
AC	35A	65A	75A	/	/	/
	20A	35A	45A	65A	70A	75A
	10A	15A	30A	35A	40A	50A

1 2 OEM

CC CV CF

LCD + LED

> 120 1 > 130 10S

1 6W

1 3A

87 98  
< 5 AC DC / DC AC

-10°C 50°C

10 90

≤ 4000m

