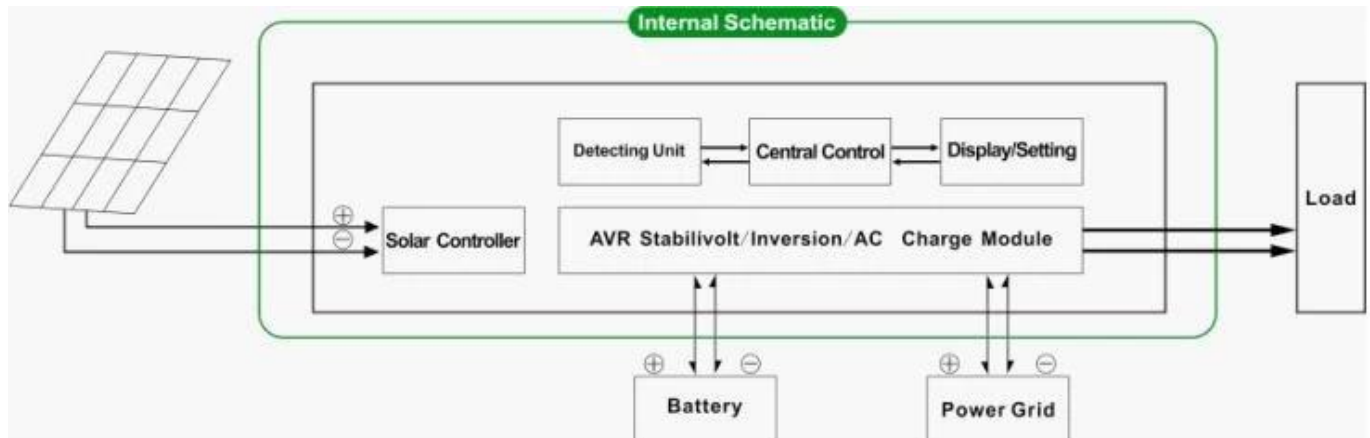


# Introduction

This series of product is a module design of inverter and built-in MPPT controller, which has the advantages of high conversion efficiency, low power consumption and strong load-carrying ability. With intelligent control, customers can set charging mode, (Utility as complementary power) AC first mode or DC first mode, timed inversion mode and timed utility mode, timed on/off sleep mode. This is the currently the most advanced inverter & controller hybrid in the world.



# Application

- Off-grid solar power system
- Solar power system with utility as complementary power

# Feature

- Easy to install. To configure a solar system, customers only need to connect it with solar panels and batteries
- CPU management ,intelligent control□modular design, User-friendly LCD display
- Built-in MPPT controller, high charging efficiency
- Low power consumption, high conversion efficiency
- Intellectual□multi-function, convenient for customers with different using environment to fully use the solar energy
- External battery connection, convenient to expand back-up power time
- Strong load-carrying ability, low failure rate, easy maintenance and long service life (under proper operation, it may be as long as 5 years)
- Perfect protection: low voltage protection, over voltage protection, overheat protection, short-circuit protection, overloads protection
- CE / EMC / LVD/ RoHS Approvals
- Two years warranty, life-long technical supports.

# Function

## 1.Charging function

1.1 PV charge the battery, utility will not: when PV and utility are both connected to the machine, only the PV will charge the battery when there is sunlight

1.2 Both PV and utility will charge the battery: when PV and utility are both connected to the machine, AC (utility) will charge the battery. In the meanwhile,

PV will also charge the battery if there is sunlight.

## 2.Utility as complementary power function

2.1 AC first , DC standby UPS mode

When both utility and battery are connected to the machine, utility will supply power to the loads prior to the battery. When utility is cut off, the battery will automatically

continue to supply power.

2.2 DC first, AC standby UPS mode

When both utility and battery are connected to the inverter, battery will supply power to the loads prior to utility. When battery capacity is not enough, utility will continue to

supply power automatically.

## 3.Timing function

3.1 Timed on/off normal working mode and sleep mode: can set specific time when to open normal output and when to close AC output to enter sleep mode.

3.2 Battery and utility switchable mode: can set specific time when to use battery or utility supply power (suitable for areas where electric fee is charged according to

period in different intervals).

## 4.Recording/checking function

4.1 Machine fault checking: can check the machine fault information.

4.2 Discharge time checking: can check the discharge time of the battery.

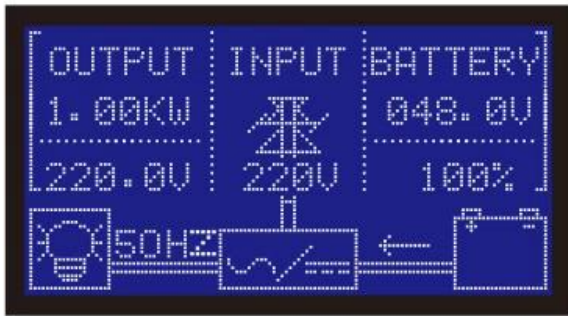
# Parameter

<b>Parameter Model</b>	<b>1500W</b>	
Rated Output Power	1500W	
Peak Power	3000W	
Battery (Lead-acid battery□)	24V/48V(optional)	
<b>Charging Parameter</b>		
Charge Mode□setting□	PV charge	
	PV charge + utility charge	
MPPT Solar Controller	Voltage	24V/48V
	Current	25A
	Max PV Input Voltage	100V
	PV Charge Efficiency	95%~99%
	Max PV Input Power	24V 710W 48V 1420W
Utility	AC Charge Current	0~15A
	Charge Mode	3-Stage Charging
<b>Inversion parameter</b>		
AC Output	Voltage	220V±3% or 230V±3 or 240V±3% or 100V±3% or 110V±3% □optional□
	Frequency	50Hz±0.5 or 60Hz±0.5 □optional□
Output wave type	Pure sine wave output, waveform distortion rate≤3	
Overload ability	□120% 1 min, □130% 10s	
Power Consumption (under normal working mode)	24V: 0.5A	
	48V: 0.4A	
Power Consumption (under sleep mode)	1-6W	
Inverter Conversion Efficiency	85%~92%	
<b>Utility Mode</b>		
AC Input	Voltage	220V±35% or 110V+35%□optional□
	Frequency	The same as utility
AC Output	Voltage	220V±5% or 110V+5%□optional□
	Frequency	The same as utility
Overload Ability	□120% 1 min□□130% 10s	
<b>(AC first or DC first) priority</b>		
UPS Output□setting□	AC first, DC standby	
	DC first, AC standby	
Switch Time	□5ms □AC to DC / DC to AC□	
Power On □setting□	Set by users	
	Timed open / close AC output automatically	
<b>General Parameter</b>		
Display	Display Mode	LCD+LED
	Display Information	Input voltage, output voltage, output frequency, battery capacity, Load condition, Status Information
Protection	Overload output, short-circuit, high-voltage input, low-voltage input, overheat	
Environment	Temperature	-10°C□50°C
	humidity	10%□90%
	Altitude	≤4000m
Size W×D×H(mm)	438*208*413	

Packing Size WxDxH(mm)	520*310*460
Net Weight (kg)	17
Gross Weight (kg)	18

## Products photos





# I-P-HPC-Series System



I-P-HPC-Series Inverter+Solar Controller