

I-P-SPC Series LowFrequency [Solar Power Inverter with Built-in SolarCharge Controller](#) 3500W



Component

- 1)Highquality low frequency pure sine wave inverter(with utility charge functionand UPS function)
- 2)Built-in PWMsolar power charge [controller](#)

Application

- 1)Off-grid solar power system
- 2) Utility and solar complementary[power generation system](#)

Features

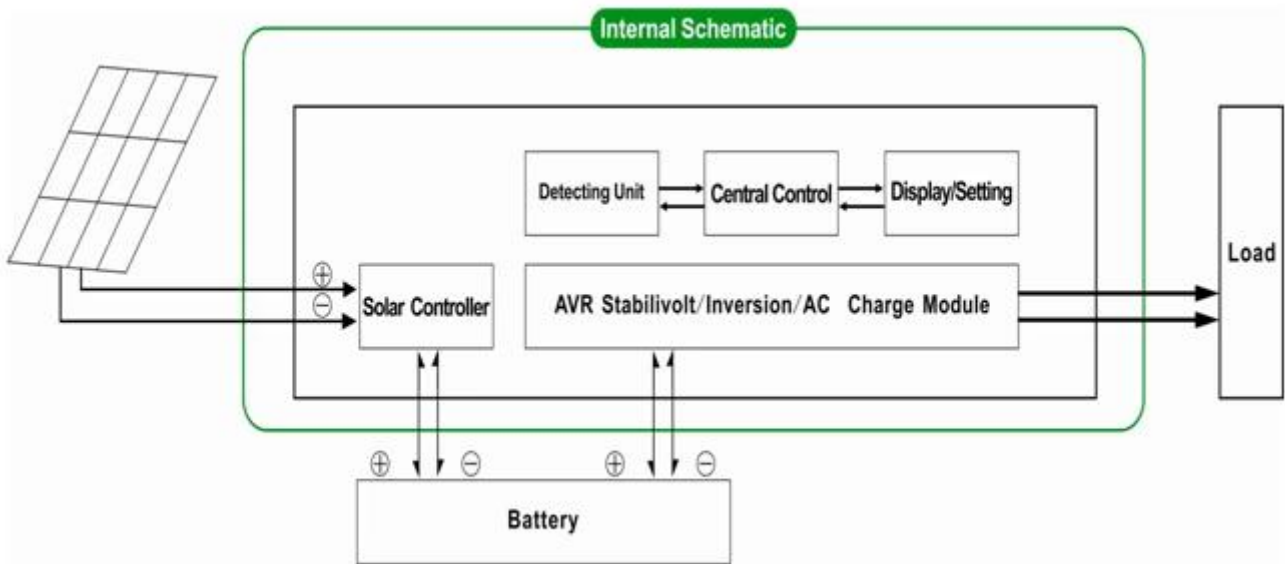
- 1) Easy toinstall. To configure a solar system, users just need to connect it with solarpanels and batteries.
- 2)CPUmanagement,Intelligent control,modular design
- 3)LEDsLCD display. LCD can display various parameters(such as the output voltage, frequency,working mode)
- 4)Multifunctiondesign, AVR UPS function. Users don't need to buy solar, controller, AC chargeror stabilizer.
- 5) External battery connection, it'sconvenient for users to expand use time and back-up power time
- 6)Withsuper load-carrying ability and high load capacity, this series of inverters can not only drive resistance load;but also various kinds of inductive loads such as motor, air conditioner,electric drills, fluorescent lamp, gas lamp. It can drive almost any kinds ofload
- 7)Lowfrequency pure sine wave circuit design, stable quality, easy to maintenance, lowfailure rate and long service life (underproper operation, it can last atleast 5 years)
- 8) Perfectprotection: low voltage protection, high voltage protection, over temperature protection,short-circuit protection, overload protection
- 9)CE / EMC / LVD/ RoHS /FCC approvals

10)2 years warranty, life-long technicalsupport

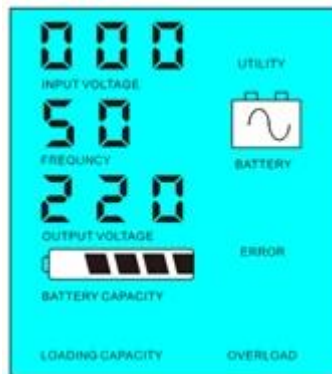
Function

Off-grid solarpower system

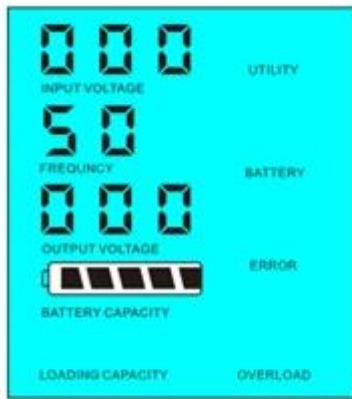
1. When connected withbattery and AC loads,users can set it to normal working mode or sleep mode.



1.1 Normal workingmode□FREQUENCY in the LCD display is set to01. No matter it's connected AC loads or not, theinverter always convert DC to AC. It'sready to supply power to the AC loads. In this mode, the LCD will displayoutput voltage as bellow:



1.2 Sleep mode□FREQUNCYin the LCD display is set as 02.If the power of the connected AC loads is lowerthan 5% of the inverter's rated power, there will be no output from theinverter. Only the chip of inverter is working. The power consumption of theinverter is only 1-6W. The LCD shows the output voltage 0. If the power of theconnected loads is over 5%,then the inverter will automatically convert DC toAC to supply power for the loads within 5s. The LCD shows the output voltage.As shown below:



Load's power < 5% of inverter's rated power

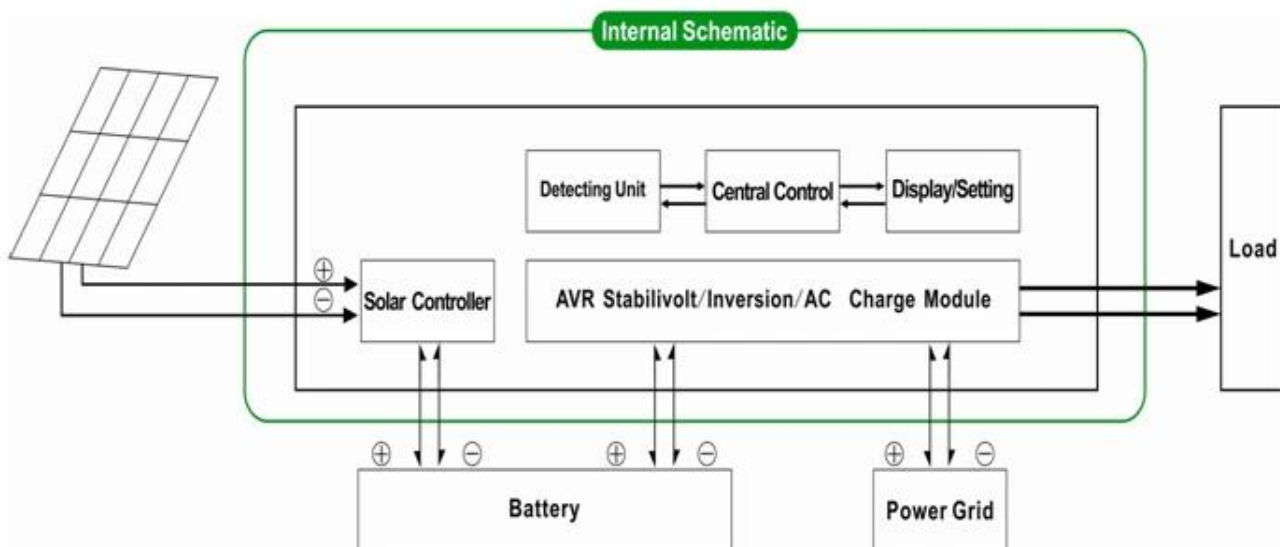


Load's power > 5% of inverter's rated power

Kindly note:

- 1) Only the solar panel charges the battery
- 2) Off-grid solar power system. It is suitable for areas that are lack of utility or plentiful solar

Utility and solar complementary power generation system



2. UPS function When the inverter is connected to battery and utility, users can set it to utility first (AC first) battery standby mode or battery first (DC first) utility standby mode.

2.1. Utility first (AC first) battery standby mode : FREQUENCY in the LCD display is set to 01. When utility and battery are connected to the inverter, utility will supply power to the loads prior. When utility is cut off, the battery will automatically continue to supply power via power inverter.

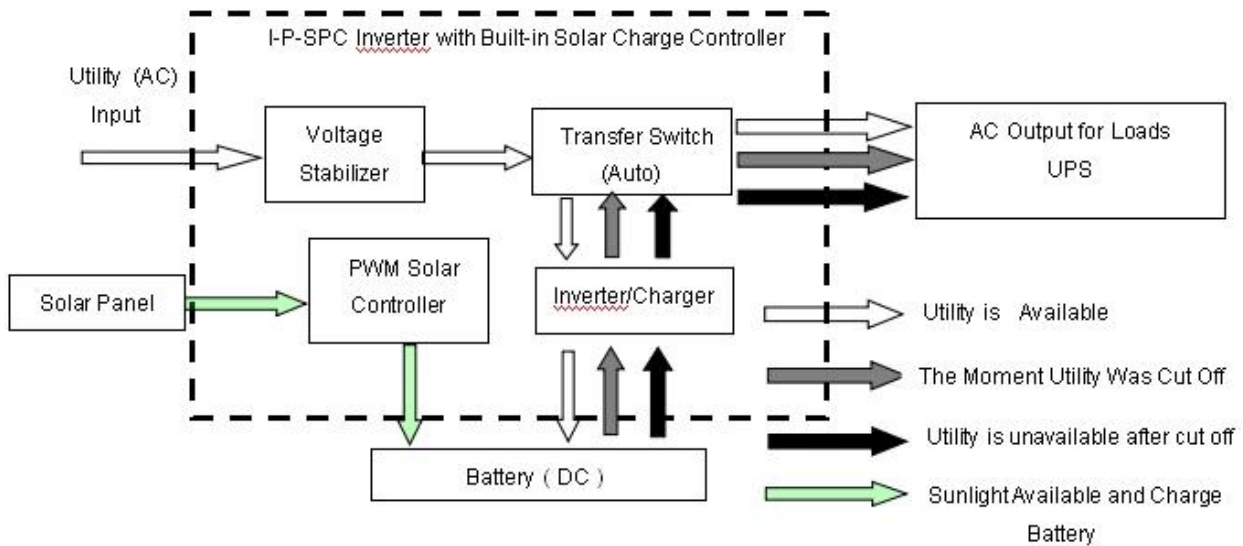
Steps are as follows:

Step 1: When utility is available, it will drive the loads directly after voltage being stabilized and at the same time charge batteries via power inverter.

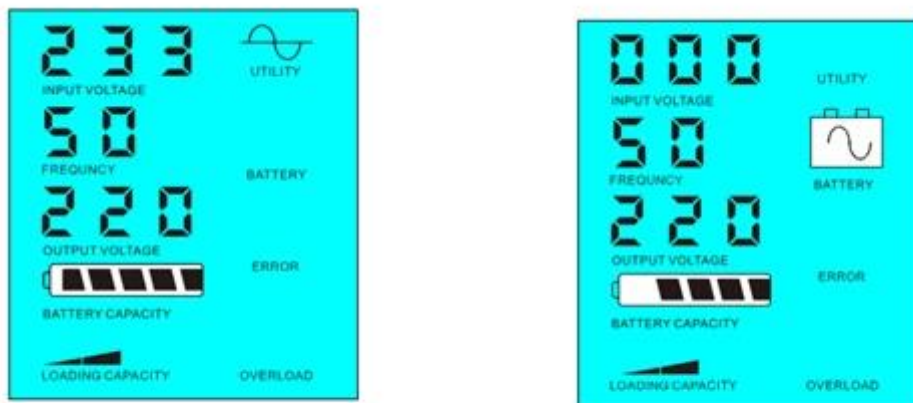
Step2: When utility is cut off, the inverter will convert DC to AC automatically to ensure uninterrupted power supply within 5ms.

Step3: When utility is available again, inverter will automatically transfer to utility supplying power to loads and charge batteries via power inverter at the same time.

See Workflows below.



LCD displayed as bellow:



Utility supply power and charge battery Without utility and battery supply power

Kindly note:

- 1) There are 2 ways to charge the battery, utility and solar panel
- 2) This system is suitable for power systems built in areas that are lack of utility. Or people can use solar and utility at the same time.

2.2. Battery first (DC first) utility standby mode: FREQUENCY in the LCD display is set as 03. When utility and battery are connected to the inverter, battery will supply power to the loads prior to utility. When battery capacity is not enough, utility will continue to supply power automatically.

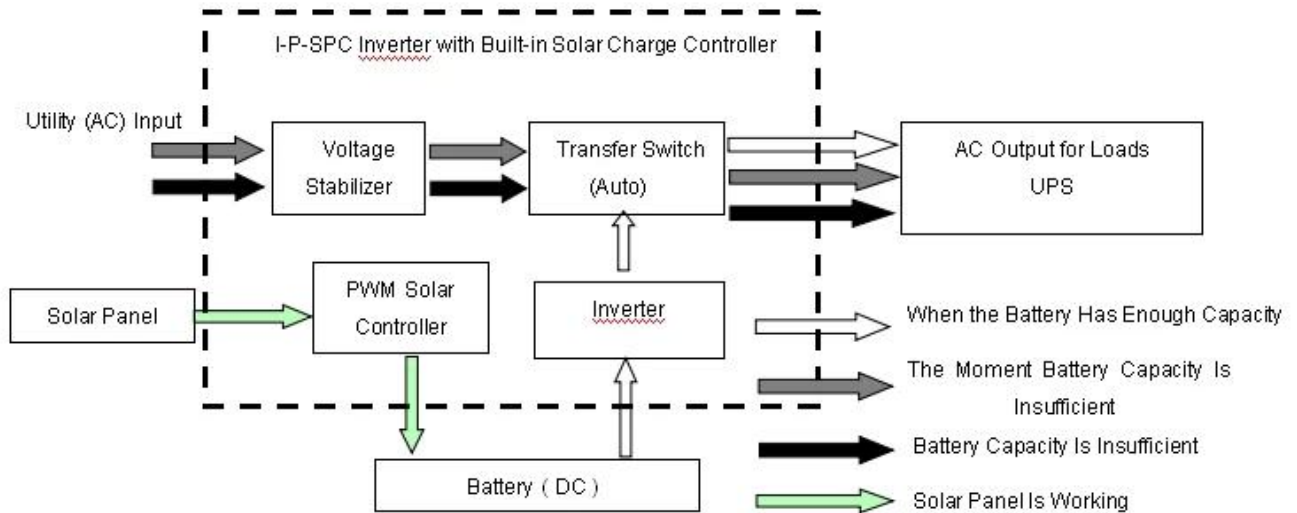
Steps are as follows:

Step1: When battery is available, it will drive the AC loads via power inverter.

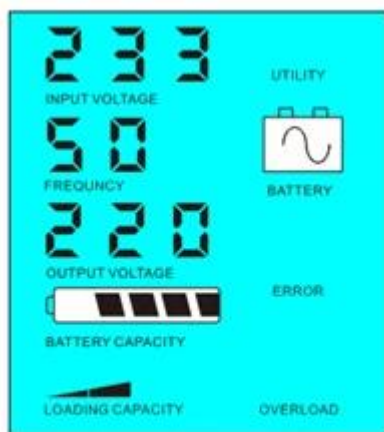
Step2: When battery does not have enough power, it will automatically transfer to utility supplying power to the loads

Step3: After the battery is fully charged (e.g. by solar or wind charge controller), it will automatically transfer to battery supplying power to the loads via power inverter.

See Workflow as below.



LCD displayed as below:



Battery available to supply power



Battery unavailable, utility supply power

Kindly note:

- 1) There is only one way to charge the battery: solar panel
- 2) This system is suitable for areas where electricity is expensive or environmental areas where solar power can be fully used to save utility bill. such as home solar & wind system, street lights solar & wind system

Parameter

| | | |
|--------------------------|----------------------|---|
| Mode | | 5000VA |
| Rated Output Capacity | | 3500W |
| Peak Power | | 7000W |
| Battery Voltage(DC) | | 48V |
| PWM Solar Controller | Voltage | 48V |
| | Current | 50A |
| | PV Max Input Voltage | 48V System□100V |
| Size W×D×H(mm) | | 420*260*605 |
| Packing Size W×D×H(mm) | | 440*280*625 |
| Net Weight (kg) | | 31 |
| Gross Weight (kg) | | 33 |
| General Parameter | | |
| Working Mode (Setting) | 1 | Utility first (AC first) battery standby mode |
| | 2 | Sleep Mode,no utility,load's power is over 5% of rated output power, Inverter start to work automatically |
| | 3 | Battery first (DC first)utility standby mode |
| AC Input | Voltage | 220V±35% or 110V+35%□Optional□ |
| | Frequency | 50Hz±3% or 60Hz±3% □Optional□ |
| AC Output | Voltage | 220V±3% or 230V±3 or240V±3% or 100V±3% or 110V±3% (Optional) |
| | Frequency | 50Hz±0.5 or 60Hz±0.5 (Optional) |
| Utility charge | AC Charge Current | 0~15A |
| | Charge Time | Depend on battery capacity and quantity |
| | Battery Protection | Automatic detection, Charge and discharge protection□Intelligent Management |
| PV Charge | | Total Current of PV Input Should Be Less Than Rated Current of PWM solar controller |
| Display | Display Mode | LCD+LED |
| | Display Information | Input voltage□output voltage□output frequency□battery capacity□Load condition□Status Information |
| Output Wave Type | | Pure sine wave output,Total Harmonic Distortion THD≤3 |
| Overload Ability | | □120% 1 min□□130% 10s |
| Power Consumption | Sleep Mode | 1~6W |
| | Normal Mode | 1~3A |
| Conversion Efficiency | | 80%~90% |
| Transfer Time | | □5ms □AC to DC / DC to AC□ |
| Protection | | Overload output□short-circuit□high-voltage input□low-voltage input□overheat |
| Environment | Temperature | -10°C□50°C |
| | Humidity | 10%□90% |
| | Altitude | ≤4000m |

The above is our standard parameter. Subject to change without prior notice.

We have our own professional inverter and controller R&D team and we provide technical support and OEM ODM service

The controller information above is our company's standard parameter. It can be changed to other PWM solar charge controller.

Connection Diagram



Others

Please see the outline of the design, technical documents, user manuals, product brochures, etc. Research and development department made 1st edition on May 5, 2014.