

High quality Intelligent Inverter with Built-in MPPT Controller I-P-HPC series

I-P-HPC-Series System

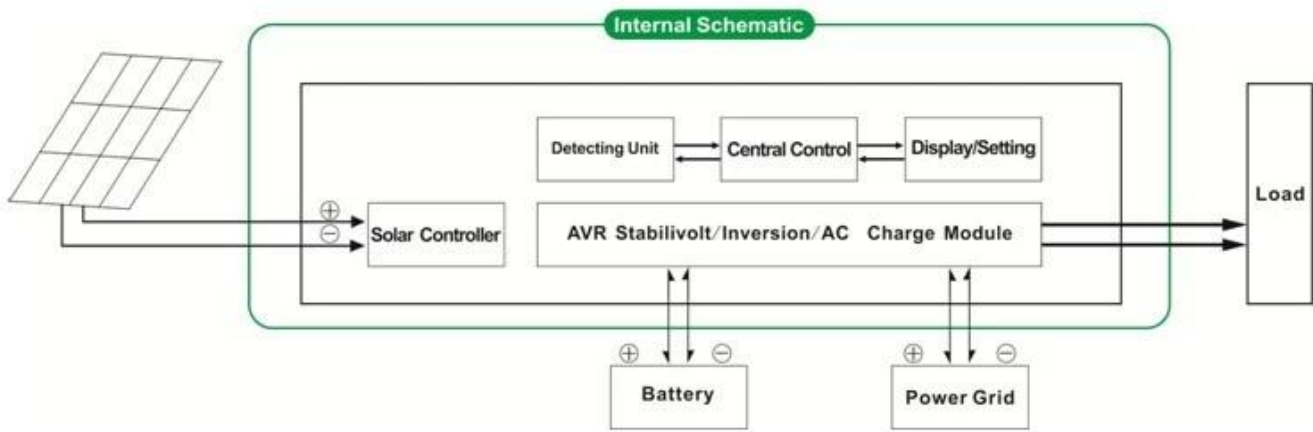


Introduction

[Pure sine wave inverter with built-in MPPT controller](#) I-P-HPC-Series is a module design. It has the advantages of high conversion efficiency, low power consumption and strong load-carrying ability. With intelligent control, users can set charging mode, (Utility as complementary power) AC first mode or DC first mode, timing inversion mode and timing utility mode, on/off mode. It is one of advanced hybrid inverter & controller in the world.

Application

1. [Off-grid solar power system](#)
2. Solar and utility complementary power system



Feature

1. Easy to install. To configure a solar system, users just need to connect it with solar panels and batteries
2. CPU management, intelligent control, modular design, LCD display
3. [Built-in MPPT controller](#), high charging efficiency
4. Low power consumption, high conversion efficiency
5. Intellectual multi-function, it's convenient for users to make full use of solar energy in different situation
6. External battery connection, it's convenient for users to expand back-up power time
7. Strong load-carrying ability, low failure rate, easy to maintenance and long service life (under proper operation, it can last at least 5 years)
8. Perfect protection: low voltage protection, high voltage protection, over temperature protection, short-circuit protection, overload protection
9. [CE / EMC / LVD/ RoHS Approvals](#)
10. Two years warranty, life-long technical support

Function

1. Charging function

There are 2 modes as shown bellow:

- 1.1 PV only mode: when PV and utility are both connected to the inverter, only the PV will charge the battery while utility will not charge the battery.
- 1.2 PV+AC hybrid mode: when PV and utility are both connected to the inverter, both PV and utility will charge the battery.

2. Utility as complementary power UPS function

There are 2 kinds of complementary modes, shown as bellow:

2.1 AC first, DC standby UPS mode

When utility and battery are connected to the inverter, utility will supply power to the loads preferentially. When utility is cut off, the battery will automatically continue to supply power to the loads.

Steps are as follows:

Step 1: When utility power is available, it will drive the loads directly after voltage being stabilized and charge batteries at the same time.

Step 2: When utility power is cut off suddenly, the inverter will convert DC to AC automatically to ensure uninterrupted power supply within 5ms.

Step 3: When utility power is available again, it will automatically transfer to utility supplying power to loads and charge batteries at the same time.

See Workflow as below:

3. Timing function

There are 2 kinds of timing mode:

- 3.1 On/Off mode: Users can set specific time to turn on/off the output of the inverter.

3.2 Working mode: Battery or utility switchable mode. Users can set specific time when to use battery or utility supplying power (suitable for areas where electric fee is charged differently in different period)

4. Recording/checking function

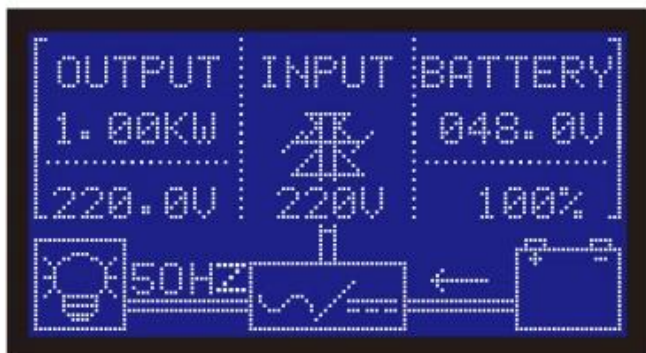
4.1 Inverter fault checking: Users can check the inverter fault information

4.2 Discharge time checking: Users can check the discharge time of the battery

The "optional" parameter can be set as per customer's requirement

The above is our standard parameter. Subject to change without prior notice.

We have our own professional inverter and controller R&D team and we provide technical support and OEM ODM service



Photos







Parameter

| Parameter | Model | 1000W | 1500W | 2000W | 3000W | 4000W | 5000W |
|---|----------------------|---|------------------------|-------------------------|-------------------------|-------|--------|
| Rated Output Power | | 1000W | 1500W | 2000W | 3000W | 4000W | 5000W |
| Peak Power | | 2000W | 3000W | 4000W | 6000W | 8000W | 10000W |
| Battery (Lead-acid battery) | | 24V | 24V/48V(optional) | | | 48V | |
| Charging Parameter | | | | | | | |
| Charge Mode[setting] | | PV charge PV charge + utility charge | | | | | |
| MPPT Solar Controller | Voltage | 24V | 24V/48V | | | 48V | |
| | Current | 20A | 25A | 30A | 40A | 40A | 40A |
| | Max PV Input Voltage | 100V | | | | | |
| | PV Charge Efficiency | 95%~99% | | | | | |
| Max PV Input Power | | 568W | 24V: 710W 48V:1420W | 24V: 852W 48V: 1704W | 24V:1136W 48V: 2272W | 2272W | 2272W |
| | | | | | | | |
| Utility | AC Charge Current | 0~15A | | | | | |
| | Charge Mode | 3-Stage Charging | | | | | |
| Inversion parameter | | | | | | | |
| AC Output | Voltage | 220V±3% or 230V±3 or 240V±3% or 100V±3% or 110V±3% (optional) | | | | | |
| | Frequency | 50Hz±0.5 or 60Hz±0.5 (optional) | | | | | |
| Output wave type | | Pure sine wave output, Total Harmonic Distortion THD≤3 | | | | | |
| Overload ability | | >120% 1 min, >130% 10s | | | | | |
| Power Consumption (under normal working mode) | | 0.4A | 24V: 0.5A 48V: 0.4A | 24V: 0.7A 48V: 0.45A | 24V: 0.7A 48V: 0.5A | 0.6A | 0.65A |
| | | | | | | | |

| | | | | | | |
|--------------------------------------|---------------------|---|----|----|-------------|----|
| Power Consumption (under sleep mode) | | 1-6W | | | | |
| Inverter Conversion Efficiency | | 85%~92% | | | | |
| Utility Mode | | | | | | |
| AC Input | Voltage | 220V±35% or 110V+35%[optional] | | | | |
| | Frequency | The same as utility's frequency | | | | |
| AC Output | Voltage | 220V±5% or 110V+5%[optional] | | | | |
| | Frequency | The same as utility's frequency | | | | |
| Overload Ability | | >120% 1 min,>130% 10s | | | | |
| (AC first or DC first) priority | | | | | | |
| UPS Output[setting] | | AC first, DC standby DC first, AC standby | | | | |
| Switch Time | | <5ms [AC to DC / DC to AC] | | | | |
| Power On [setting] | | Set by users Timed on / off AC output automatically | | | | |
| General Parameter | | | | | | |
| Display | Display Mode | LCD+LED | | | | |
| | Display Information | Input voltage, output voltage, output frequency, battery capacity, load condition, status information | | | | |
| Protection | | Overload, short-circuit, high-voltage input, low-voltage input, overheat | | | | |
| Environment | Temperature | -10°C~50°C | | | | |
| | humidity | 10%~90% | | | | |
| | Altitude | ≤4000m | | | | |
| Size W×D×H(mm) | | 438*208*413 | | | 450*246*468 | |
| Packing Size W×D×H(mm) | | 520*310*460 | | | 540*300*518 | |
| Net Weight (kg) | | 15 | 17 | 19 | 25 | 35 |
| Gross Weight (kg) | | 16 | 18 | 20 | 27 | 41 |