



MPPT MPPT PV RS232 / LAN



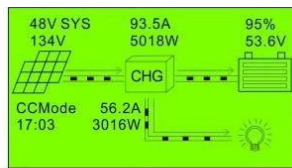
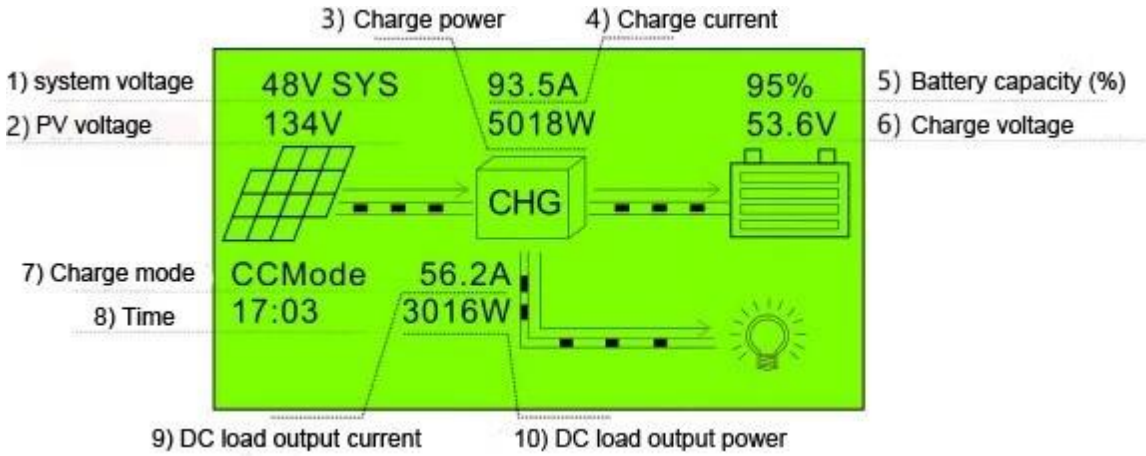
1. MPPT  $\geq 99.5\%$  98
2. 3
3. PV PV+
- 4.
5. 3 SEAL \ gel \ flooded FCAN
6. PV
7. -
8. LCD
9. RS485
10. PC WiFi
11. CE ROHS FCC
12. 3 3 10



MPPT		48BL-100A
MPPT	MPPT	MPPT
	MPPT	99.5
		0.5W 1.2W
max.pv	max.pv	DC150V



# MPPT



**Main Menu**  
 1.Work Status  
 2.Setting  
 3.Information

**Normal Mode**  
 Fault: NoFault  
 CC Charging  
 PV Volt: 134V

**Setting**  
 \*1.Ethernet set  
 2.Load Set  
 3.Time&Data Set

**Information**  
 MPPT CHARGER  
 12/24/36/48V 100A  
 48V BAT CHG SYS

**Normal Mode**  
 Chg Curr : 93.5A  
 Chg Powr : 5018W  
 Chg Volt : 53.6V

**Setting**  
 1.Ethernet set  
 \*2.Load Set  
 3.Time&Data Set

IP:192.168.1.18  
 GT:192.168.1.1  
 Port:8888  
 ADR:1

**Normal Mode**  
 Chg Curr : 93.5A  
 Chg Powr : 5018W  
 Chg Volt : 53.6V

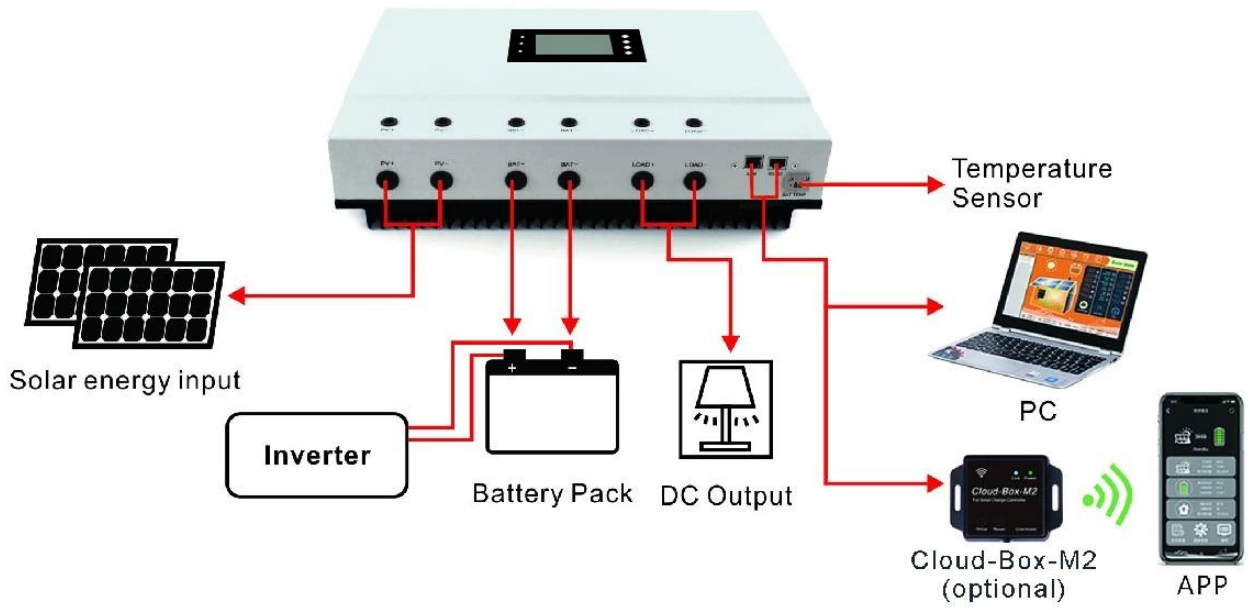
**Setting**  
 1.Ethernet set  
 2.Load Set  
 \*3.Time&Data Set

Load: Time Ctrl  
 Total: 0.0KWH  
 Firmware: 1.0  
 Bat: CustomDef

**Normal Mode**  
 Bat Temp: 28C  
 HS Temp: 48C  
 Load Curr: 56.2A

**Setting**  
 2.Load Set  
 3.Time&Data Set  
 \*4.Bat Set





□□□□□

