

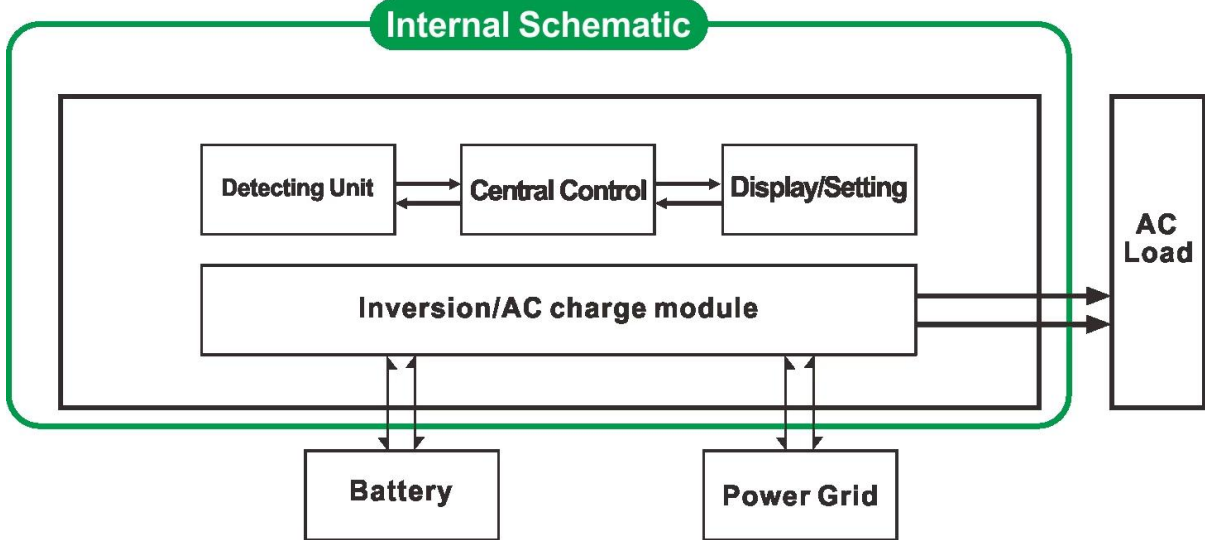
LCD
 1.2 S-ON 5 LCD 0
 1-6W 5 AC DC
 LCD

2.
 8
 CC CV CF

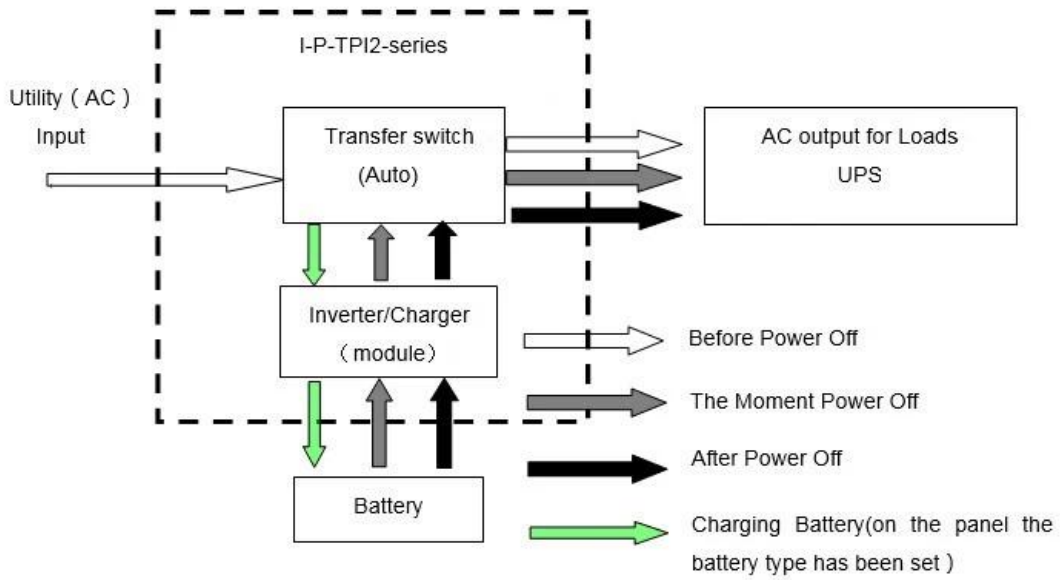


0 0

3. UPS
 AC DC



3.1 UPS AC
 LCD AC 0
 5ms UPS
 3



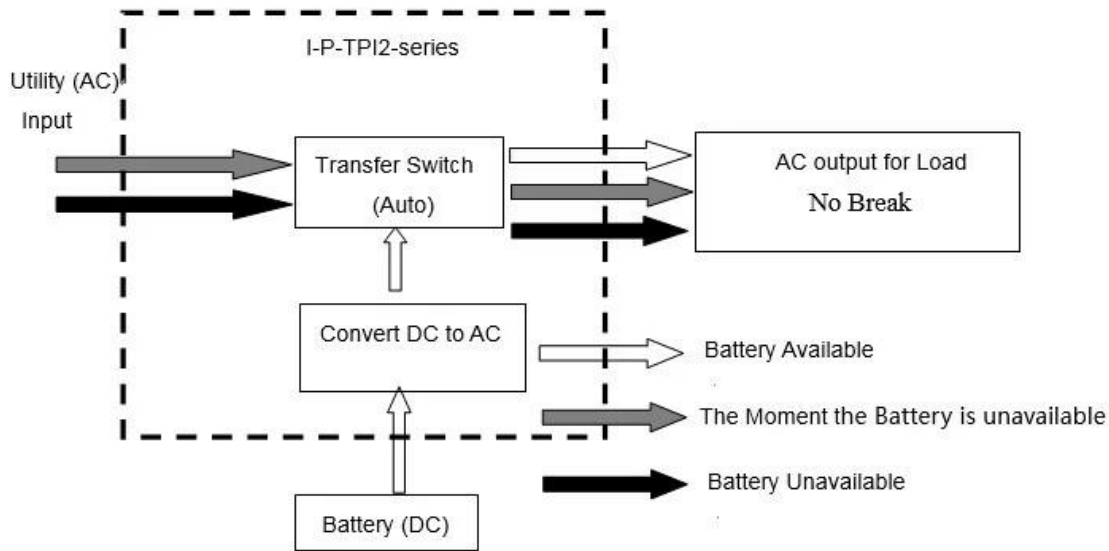
3.2 UPS DC

0

1

2

3



000000

			1000W	2000W	3000W	4000W	5000W	6000W	
			1000W	2000W	3000W	4000W	5000W	6000W	
			3000W	6000W	9000W	12000W	15000W	18000W	
Input			12V 24V 48V			24V 48V			
Output							24V 48V		
Dimensions (mm)			318 * 218 * 368		440 * 218 * 400		520 * 275 * 520		
Weight (kg)			27	28	30	39	40	51	
Features			29	30	32	43	48	53	
Control Panel	ON		ON						
	S-ON		Mode.1-6W 5						
	OFF		OFF						
AC Input			220V±3% 50Hz/60Hz						
AC Output			220V±3% 230V±3% 240V±3% 100V±3%						
			110V±3%						
			DC / AC 50Hz/60Hz						
		BAT	1000W	2000W	3000W	4000W	5000W	6000W	
	AC	12V	35A	65A	75A	/	/	/	
		24V	20A	35A	45A	65A	70A	75A	
		48V	10A	15A	30A	35A	40A	50A	
Protection			1 2						
			DE-OEM						
			CC CV CF						
UPS	AC								
	DC								
			+LED						
			> 120 1 > 130 10S						
			1 6W						
			1 3 a						
			87 98						
			< 5ms DC / DC AC AC						

□□	□□	-10°C□50°C
	□□	□90□□10□
	□□	≤4000m



BAT Type



S-ON



AC

50HZ

AC



60HZ

DC



Inverter



Charger

Next Page



Alarm



OFF

ON



S-ON

Power Inverter

