

12V 24V 48V 3KW TPI2 UPS

□□□□



DC-



| DC INPUT | | |
|----------|-----|-----|
| 12V | 24V | 48V |
| | ✓ | |

DC+



Remote Port



PP2012201+001502



AC OUTPUT



MAX 5A

AC INPUT | AC OUTPUT



L N E | L N E

Inverter Output Protect



Charger Input Protect





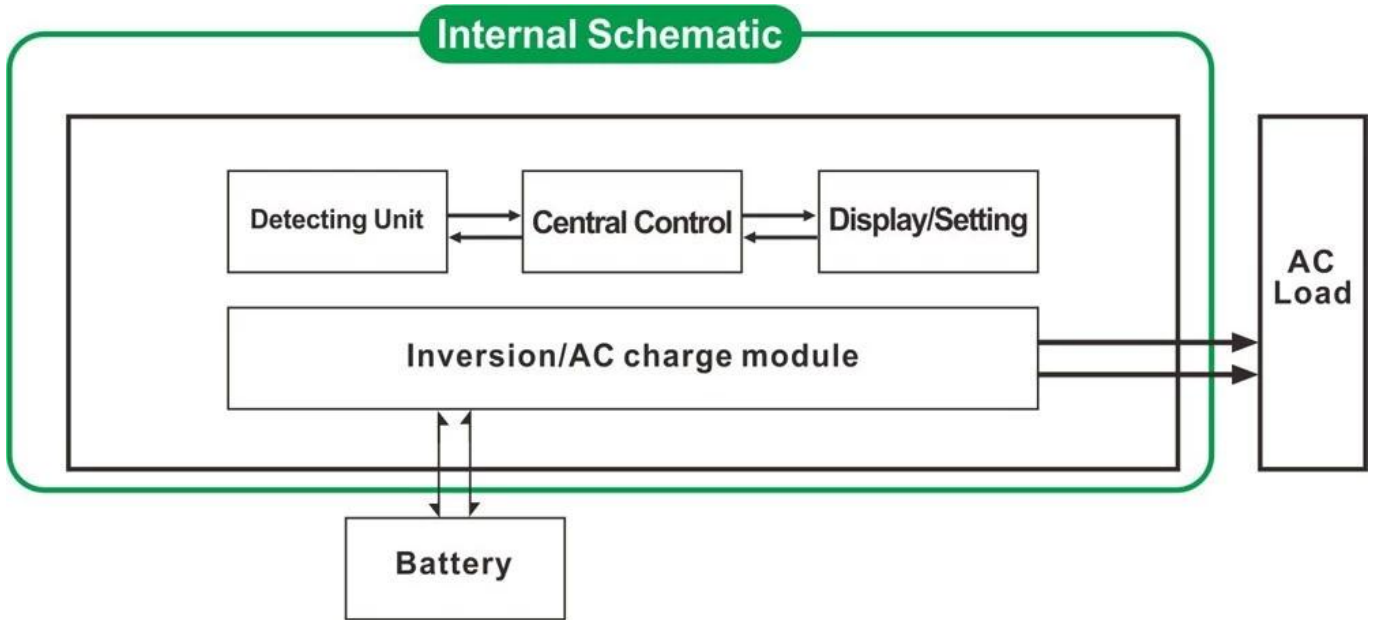
□□□□

1. 3□□□□□□□□□□□□□□□□
2. □□□□□□50Hz□□□□□□□□□□□□□□□60 HZ
3. □□□□□□DC□□/ AC□□□□□□□□□□□□□□□□
- 1□6□□□□□□□□4.□□□□consumtion
- 5.□□□□□□□□□□CC□CV□CF

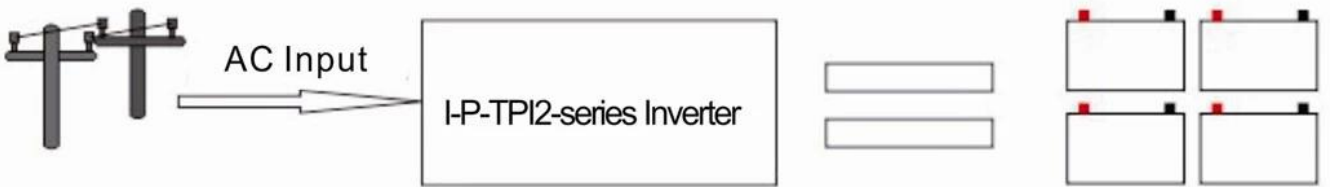
□□□□□□□□□□□□□□ □□□□□□□□□□

□□

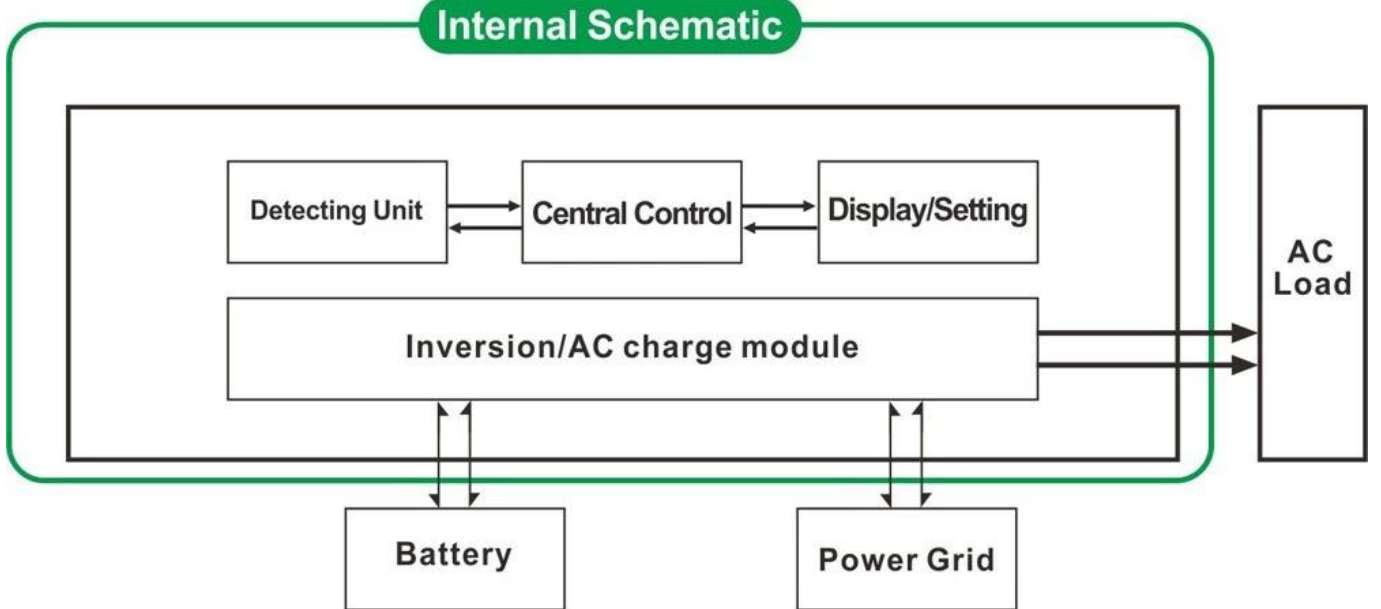
1.DC / AC□□□□□



2. 1. 2. 3.



3. UPS



- 3.1. UPS AC
- 3.2. UPS DC
1. CPU
2. LCD LED
4. AC DC 50Hz 60Hz
5. 87-98 1W 6W
6. 8

