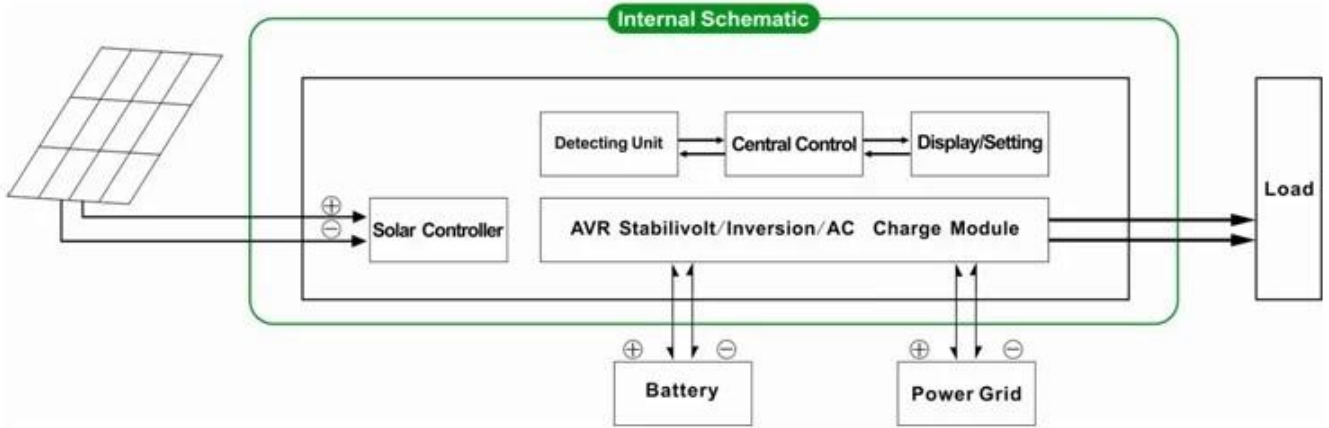


Block Diagram

The diagram illustrates the internal schematic of a power management system. It features a solar panel on the left connected to a Solar Controller. The Solar Controller is linked to an AVR Stabilivolt/Inversion/AC Charge Module. This module is connected to a Battery and a Power Grid. The system also includes a Detecting Unit, Central Control, and Display/Setting unit, all interconnected. The final output is connected to a Load.



Features

1. Easy installation
2. CPU
3. Built-in MPPT
- 4.
5. Intellectual
6. External
7. Strong
8. Perfect
9. CE / EMC / LVD / RoHS
10. Two

Menu

1. Charging

2.



2

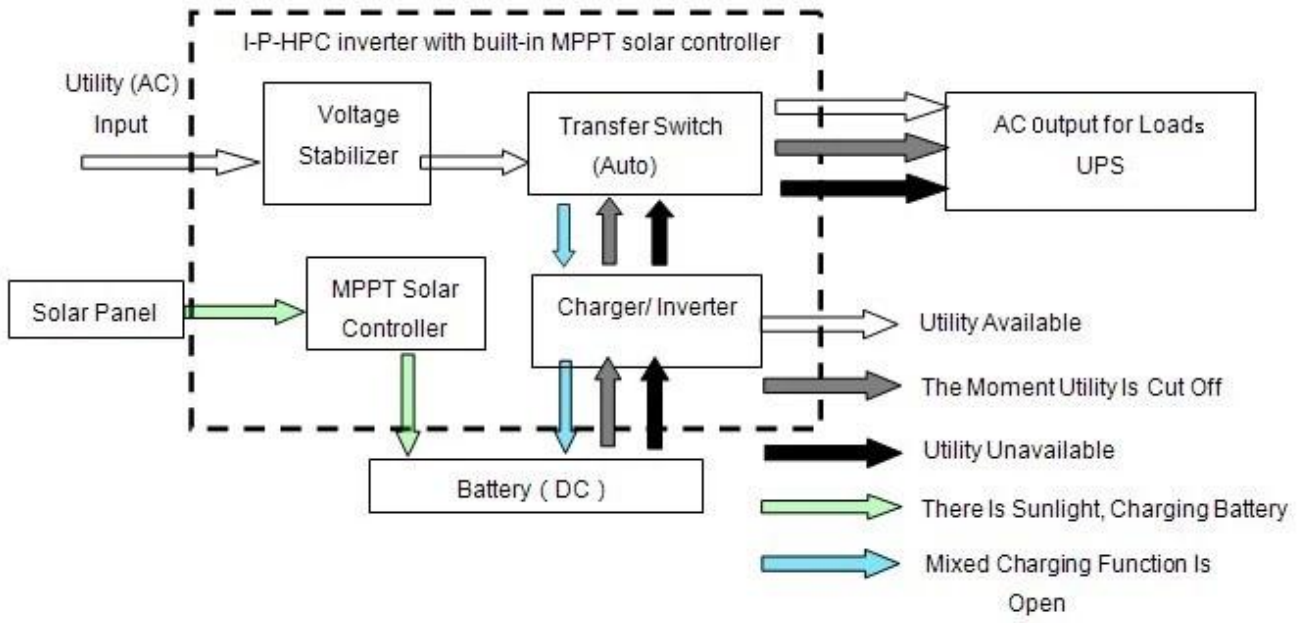


2.1 AC DC UPS

1

2 5ms

3



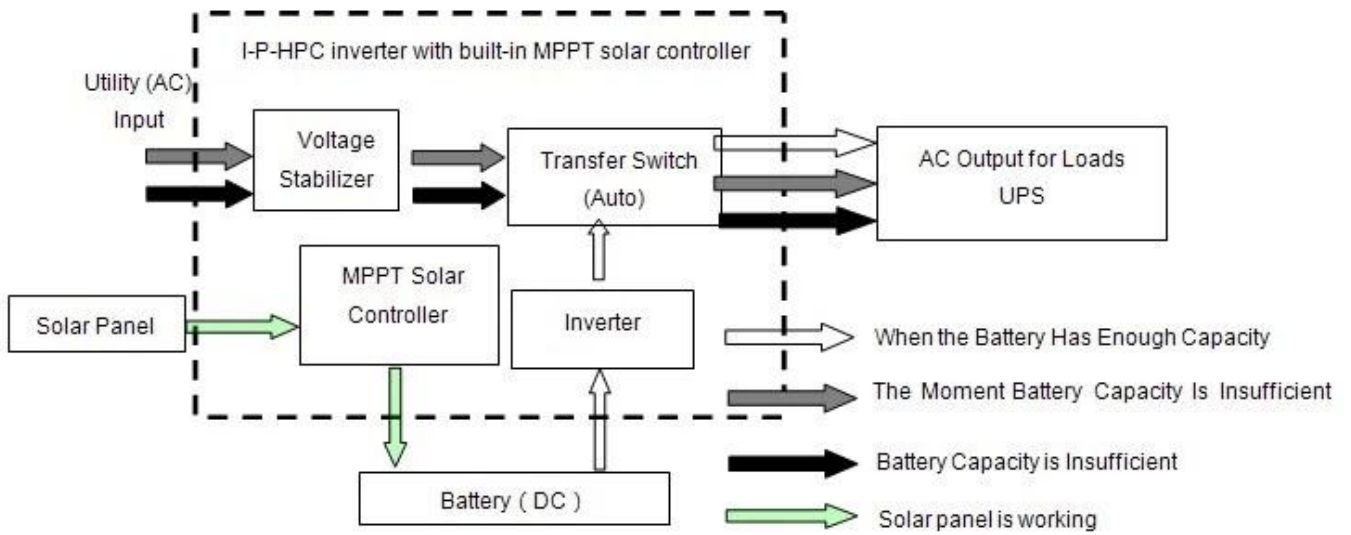
2.2 DC UPS

DC UPS is a type of UPS that uses a battery as a power source. It is commonly used in applications where a long backup time is required, such as in telecommunications and data centers.

DC UPS has several advantages over AC UPS, including:

- 1. Longer backup time: DC UPS can provide a much longer backup time than AC UPS because it does not have to convert DC to AC.
- 2. Higher efficiency: DC UPS is more efficient than AC UPS because it does not have to convert AC to DC and then back to AC.
- 3. Simpler design: DC UPS is simpler in design than AC UPS because it does not have a transformer or a motor.

DC UPS is a good choice for applications where a long backup time is required.



3

2



3.1 /

3.2

4



4.1

4.2 规格书

规格书

额定功率		2000W
最大功率		2000W
启动功率		4000W
输入电压	输入电压	24V/48V
规格书		
输入电压		PV+
MPPT	输入电压	24V/48V
	输入电流	30A
	MPPT电压	100V
	MPPT效率	95%~99%
	MPPT功率	24V 852W 48V 1704W
输出电流	AC	0~15A
输出电流	输出	3
规格书		
AC	输入	220V±3% 230V±3% 240V±3% 100V±3% 110V±3%
	输出	0.5~60Hz±0.5% ±50Hz
输入	输入	≤3
输入	输入	> 120 1 > 130 10s
输出	输出	24V 0.7A
	输出	48V 0.45A
输出	输出	1-6W
输出	输出	85~92
规格书		
AC	输入	220V 35 110V 35 ±
	输出	输出
AC	输入	220V±5% 110V 5 ±
	输出	输出
输入	输入	> 120 1 > 130 10s
AC DC		
UPS	AC	AC
UPS	DC	DC
输入	输入	<5ms AC DC / DC
输出	输出	输出
输出	输出	输出/输出
规格书		
输出	输出	LCD + LED
	输出	输出
输出	输出	输出

工作温度		-10℃~50℃
使用寿命		10年或90,000小时
峰值电流		≤4000A
主机尺寸 W×D×H(mm)		438 * 208 * 413
机柜尺寸 W×D×H(mm)		520 * 310 * 460
主机重量(kg)		19
机柜重量(kg)		20

特点

- 采用最先进的IGBT芯片
- 采用最先进的MPPT太阳能跟踪技术
- 采用最先进的RCD保护技术，OEM产品

应用

I-P-HPC-Series System



I-P-HPC-Series Inverter+MPPT Solar Controller

特点

- 采用最先进的IGBT芯片
- 2014年5月15日20日