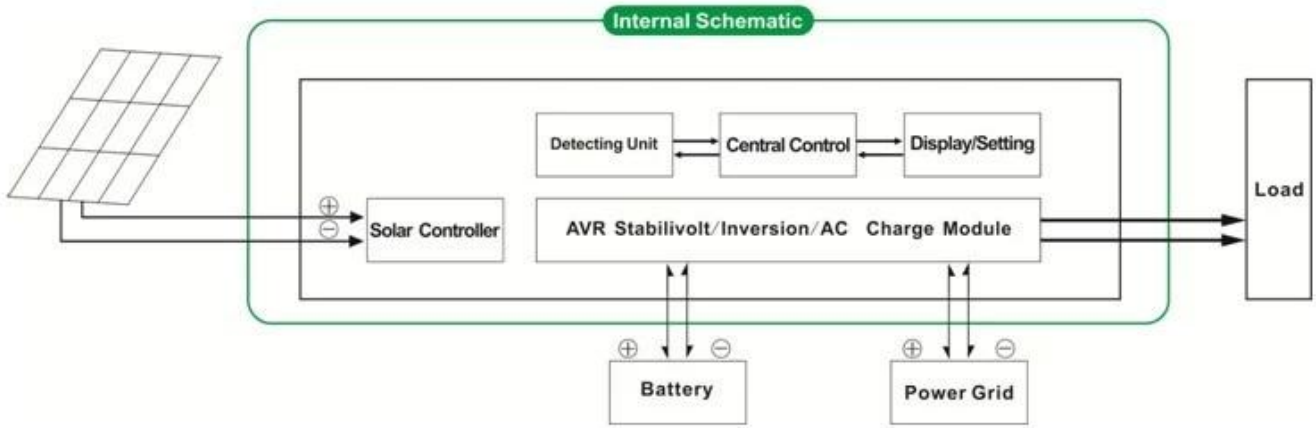


□□□□

I-P-HPC MPPT I-P-HPC AC DC & 038



I-P-HPC-Series System



I-P-HPC-Series Inverter+Solar Controller





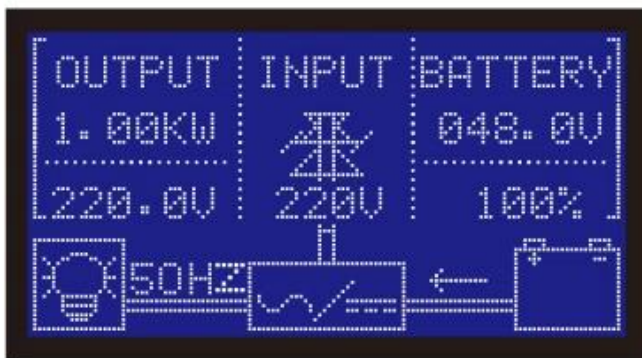
□□□□□□□□

1. Off□□□□□□□□□□□□□□

2.□□□□□□□□□□□□□□□□□□□□



LDC



Features

1. Easy to install.
2. CPU with LCD display.
3. Built-in MPPT.
4. Intelligent.
5. Intellectual.
6. Perfect.
7. Strong.
8. Perfect.
9. CE / EMC / LVD / RoHS.
10. Two.

Applications

1. Charging
 - 1.1 PV
 - 1.2 PV +

2.Utility

2.1AC UPS

1

2 5ms

3

2.2DC AC UPS

1

2

3

3.Timing

3.1

3.2

4.Recording /

4.1

4.2

		1000W	1500W	2000W	3000W	4000W	5000W
		1000W	1500W	2000W	3000W	4000W	5000W
		2000W	3000W	4000W	6000W	8000W	10000W
		24V	24V / 48V			48V	
		PV					
		PV+PV					
		24V	24V / 48V			48V	
		20A	25A	30A	40A	40A	40A
		100V					
		PV					
		95~99%					
		MPPT-PV	568W	24V 710W	24V 852W	24V 1136W	2272W
			48V 1420W	48V 1704W	48V 2272W		2272W
		AC	0~15A				
			3~10000W				
		AC					
			220V±3% 230V 3 240V±3% 100V±3%				
			110V±3%				
			0.5±0.5% 60Hz±50Hz				
			THD≤3%				
			> 120 130 105				
			0.4A	24V 0.5A	24V 0.7A	24V 0.7A	0.6A
			48V 0.4A	48V 0.45A	48V 0.5A		0.65A
			1-6W				
			85~92%				
		AC	220V±3% 110V + 35%				
		AC	220V±5% 110V±5%				
			> 120 130 105				
		AC DC					
		UPS	AC				
			DC AC				
			< 5ms AC AC/DC / DC				

□□□□	□□□□□□□□□□						
□□□□	□□□□AC□□□□/□□□□□□						
□□□□							
□□□□□□	□□□□□□	□□+□□LED					
	□□□□□□	□□□□□□□□□□ □□□□□□□□□□□□□□□□□□□□□□□□					
□□	□□□□□□□□□□ □□□□□□□□□□□□□□□□□□						
□□	□□	-10°C□50°C					
	□□	10□□90□					
	□□	≤4000m					
□□□□ W×D×H□□mm□□	438 * 208 * 413			450 * 246 * 468			
□□□□□□□□ W×D×H□□mm□□	520 * 310 * 460			540 * 300 * 518			
□□□□ □□□□kg□	15	17	19	25	34	35	
□□□□ □□□□kg□	16	18	20	27	40	41	