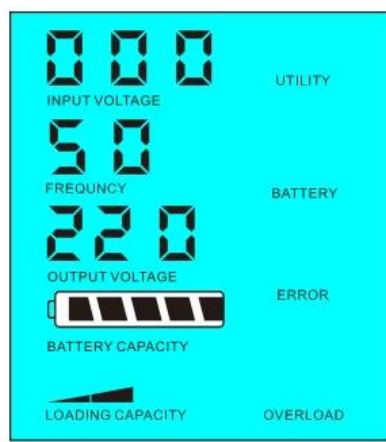
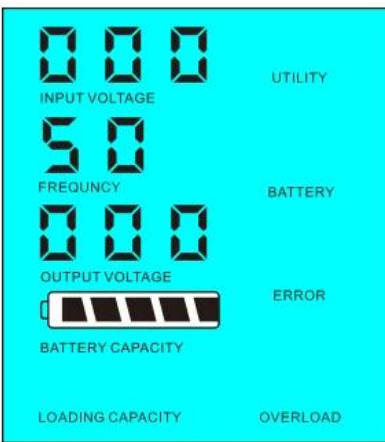


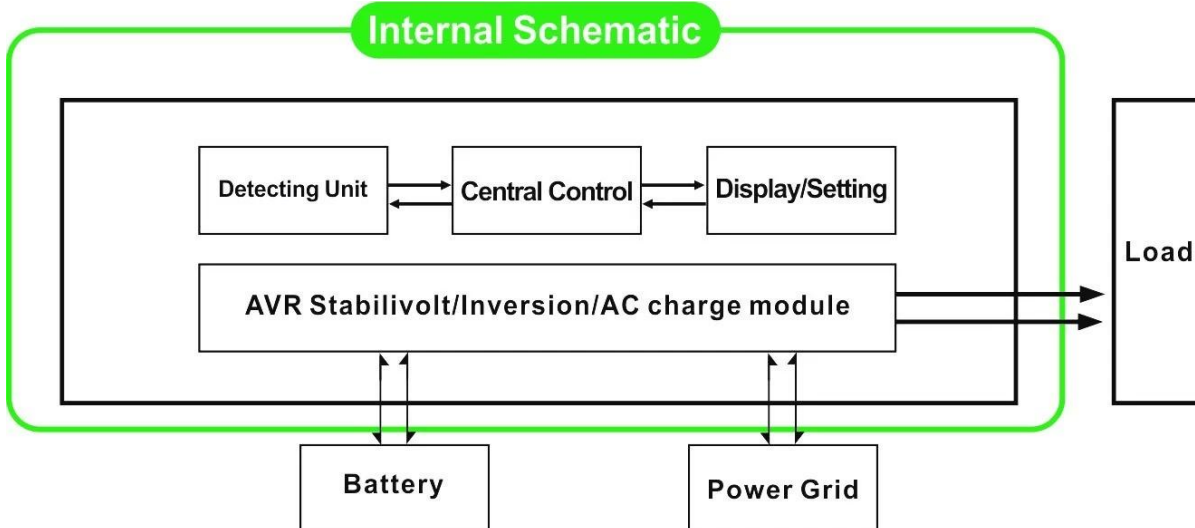
1.2 LCD 000 FREQUENCY AC 5 02. If 1-6W LCD 5 5 AC DC 0 LCD output



< 5

> 5

2 UPS AC DC

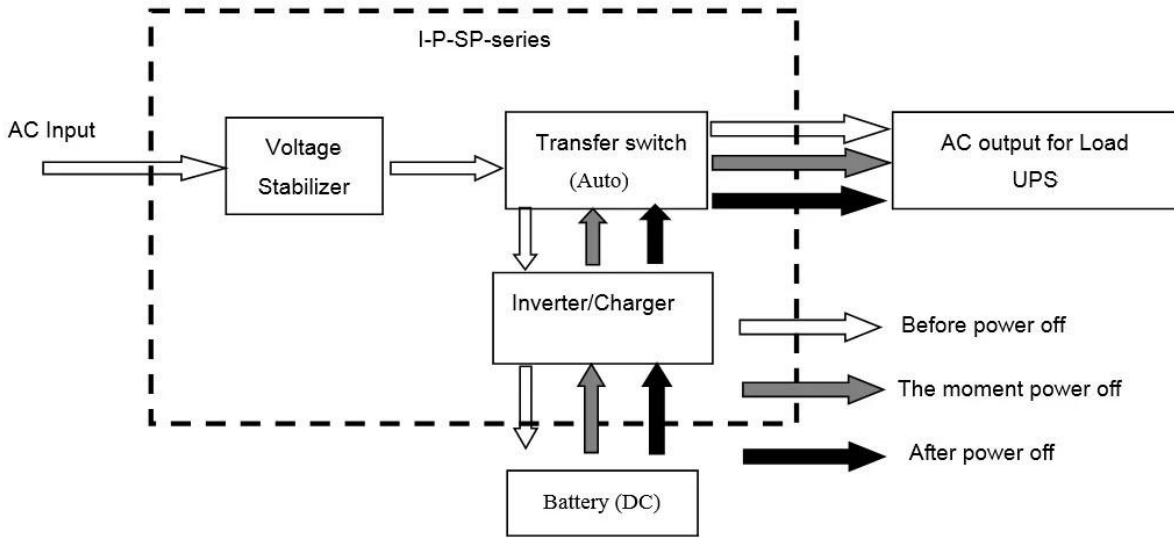


2.1 AC 01

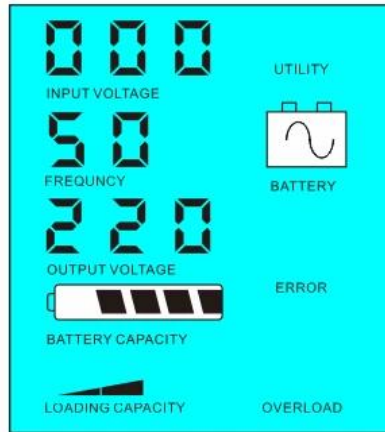
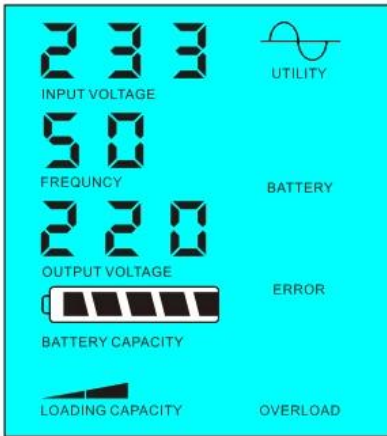
1

2 5ms DC AC

03



LCD



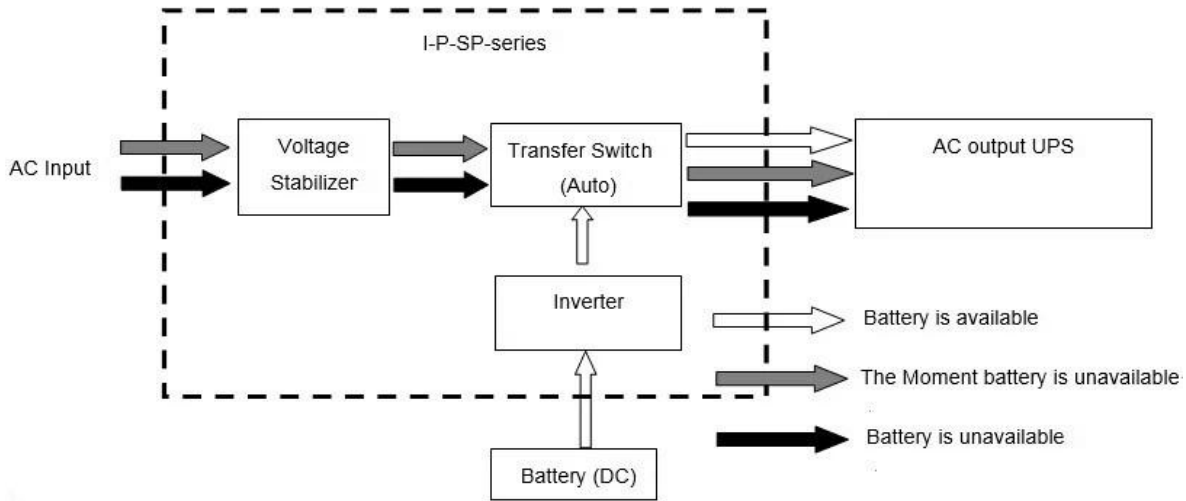
2.2 DC UPS LCD FREQUENCY

03

1 AC

2

3



LCD

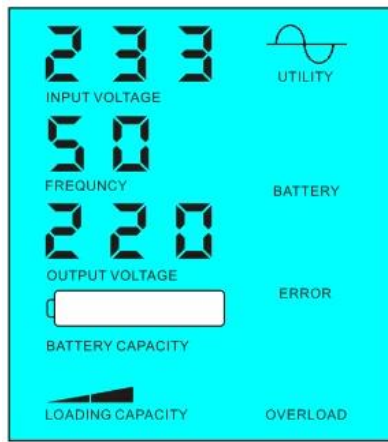
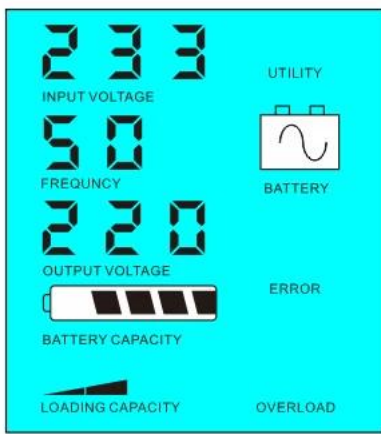


Figure 1: LCD display (Utility Power)

Figure 2: LCD display (Battery Power)

Specifications

Rated Power	3000VA
Rated Power	2000W
Rated Power	4000W
Input Voltage (DC)	24V / 48V / 96V
Dimensions (WxDxH)mm	350 * 220 * 460
Dimensions (WxDxH)mm	370 * 240 * 480
Weight (kg)	23
Weight (kg)	25
Model	1
Model	2
Model	3
AC Input	220V±3% 35±110V + 35±
AC Input	3±60Hz±3±50Hz
AC Output	220V±3% 230V±3% 240V±3% 100V±3% 110V±3%
AC Output	0.5±0.5% 60Hz±50Hz
AC Output	0±15A
AC Output	
AC Output	
AC Output	LCD
AC Output	
AC Output	THD≤3
AC Output	> 120±1 > 130±10S





