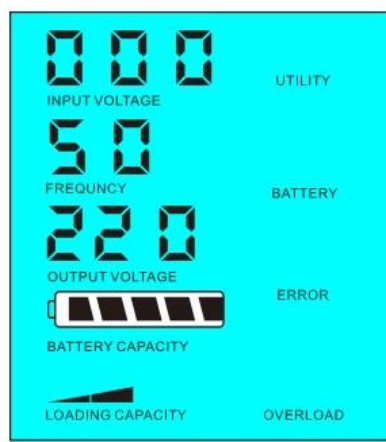
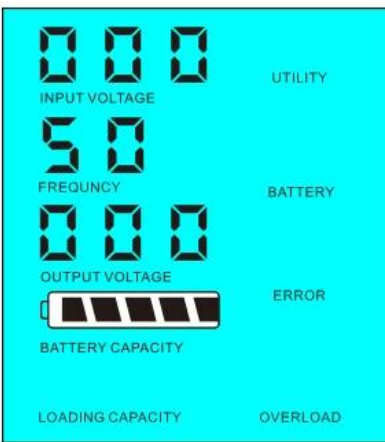


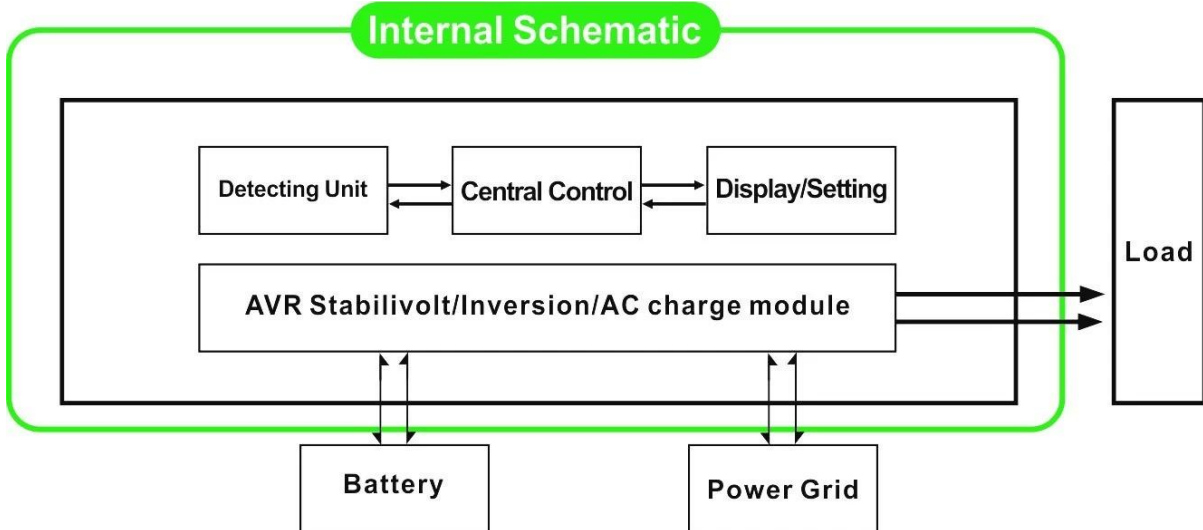
1.2 LCD 000 FREQUENCY AC 5 02.If 1-6W LCD 5 5 AC DC 0 LCD output



<5

>5

2 UPS AC DC

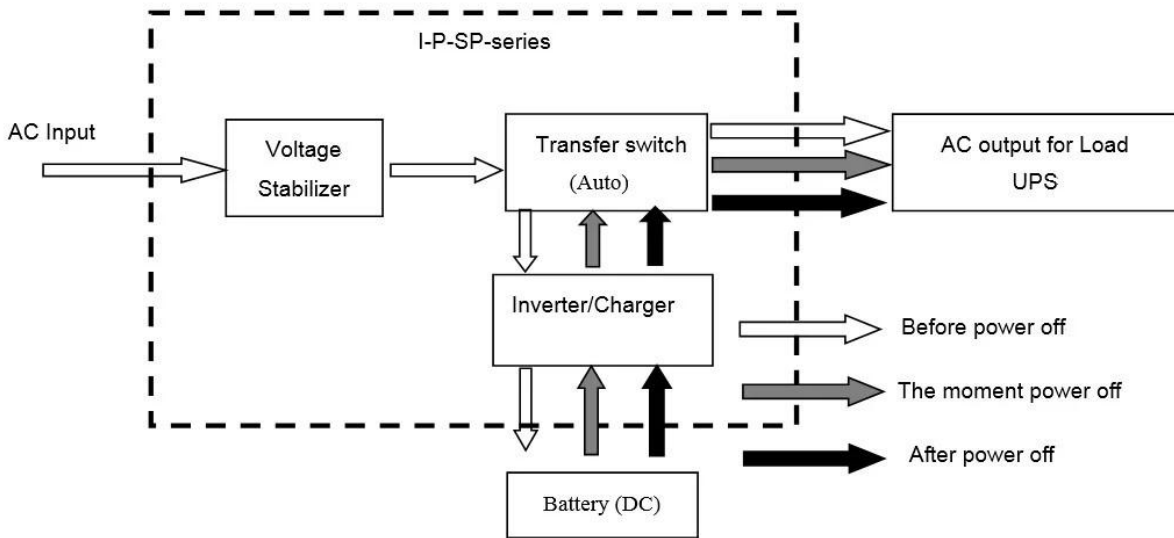


2.1 AC 01

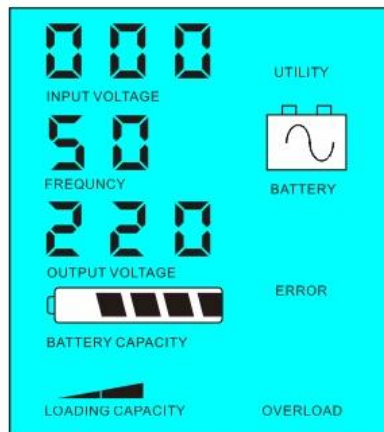
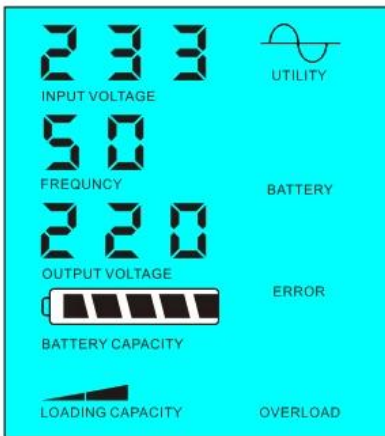
1

2 5ms DC AC

3



LCD



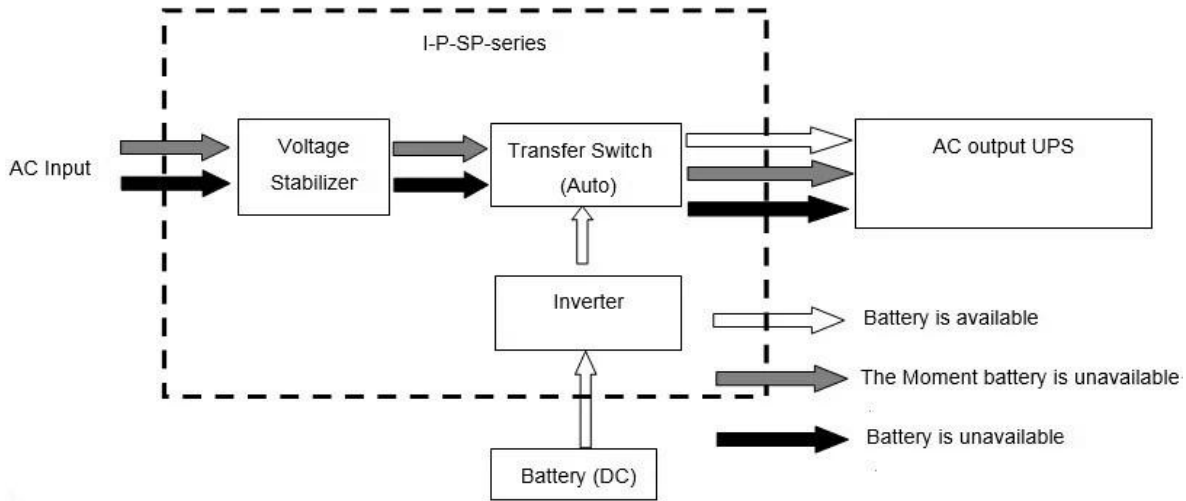
2.2 DC UPS LCD

FREQUENCY 03

1 AC

2

3



LCD

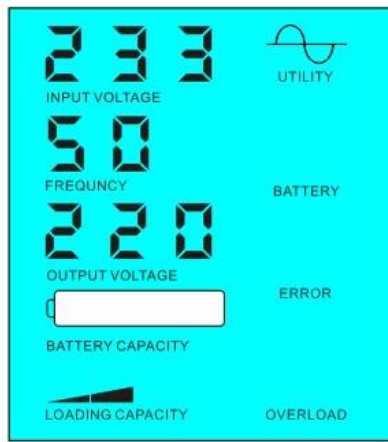
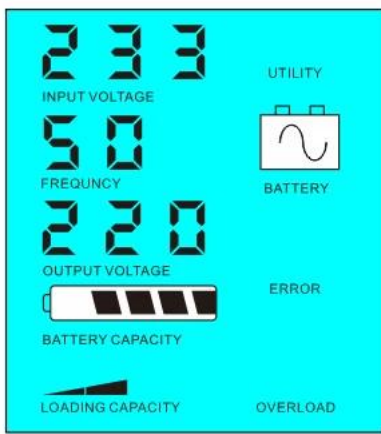


Figure 1

Figure 2

Specifications

Model		15kVA
Rated Power		10KW
Max Power		20KW
Battery Voltage (DC)		96V / 192V
Dimensions (WxDxH) mm		420 * 260 * 605
Dimensions (WxDxH) mm		440 * 280 * 625
Weight (kg)		85
Net Weight (kg)		95
Features		
Phase	1	Three phase AC
Phase	2	Three phase AC with 5% tolerance
Phase	3	Three phase DC UPS
AC Input	Phase	220V ± 35% 110V ± 35%
AC Input	Frequency	3 phase 60Hz ± 3% ± 50Hz
AC Input	Phase	220V ± 3% 230V ± 3% 240V ± 3% 100V ± 3% 110V ± 3%
AC Input	Frequency	0.5 ± 0.5% 60Hz ± 50Hz
AC Input	Current	0-15A
AC Input	Power	15kVA
AC Input	Power	15kVA
AC Input	Power	LCD
AC Input	Power	THD ≤ 3%
AC Input	Power	> 120% 1min > 130% 10S

Power	16W
Current	3A
Frequency	80-90Hz
THD	< 5ms AC/DC / DC/AC
Temperature	-10°C to 50°C
Dimensions	100x90x40mm
Altitude	≤4000m

1. Power Inverter Controller
 2. Power Inverter Controller R&D
 3. OEM ODM
 4. etc. Research 2014 5 5 2TH













中外运敦豪