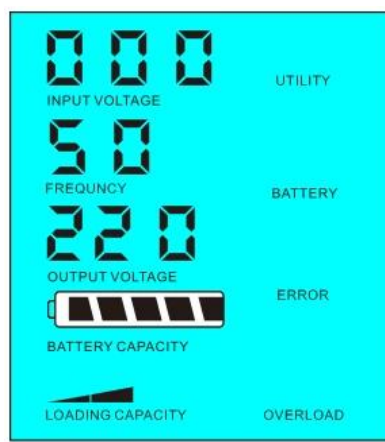
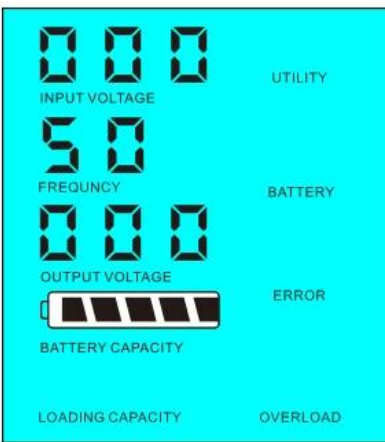


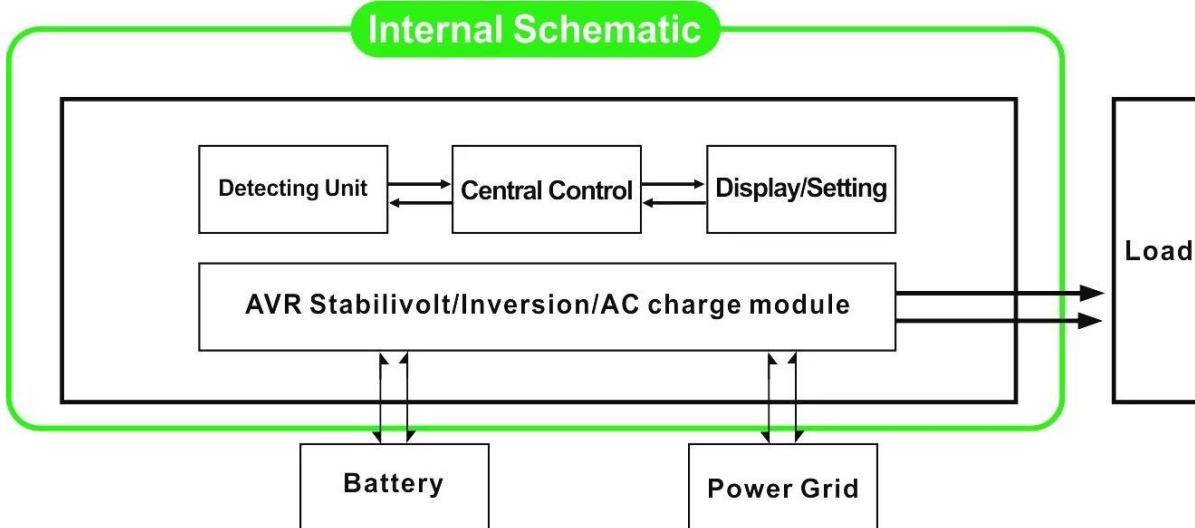
1.2 LCD 000 FREQUENCY AC 5 02.If 1-6W LCD 5 5 AC DC 0 LCD output



< 5

> 5

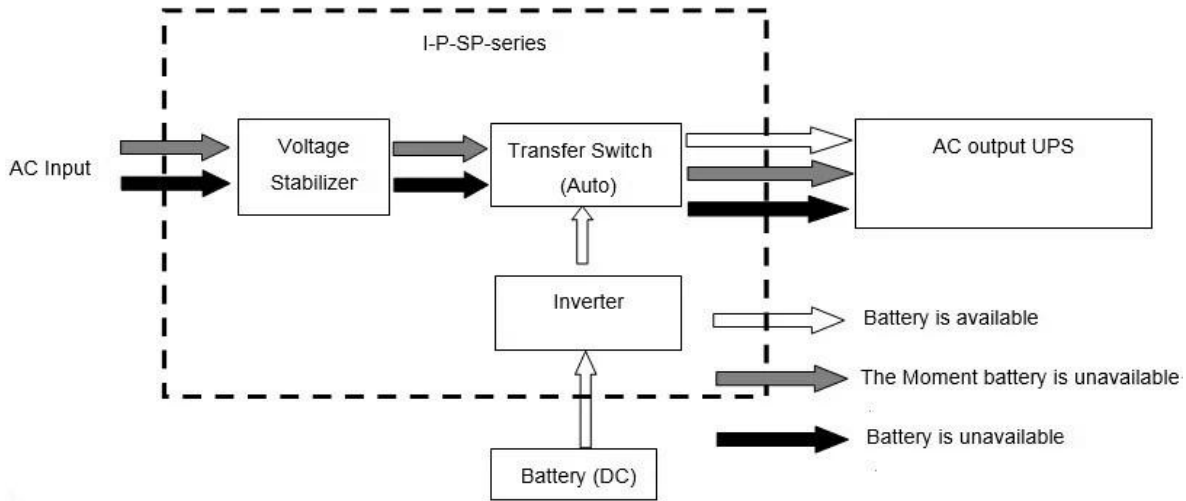
2 UPS AC DC



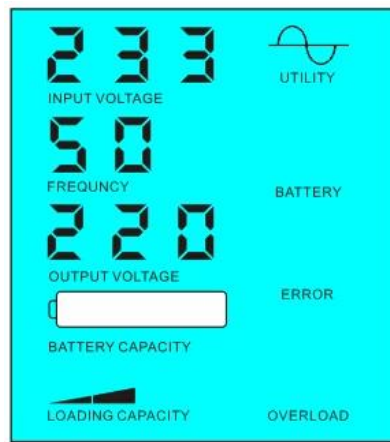
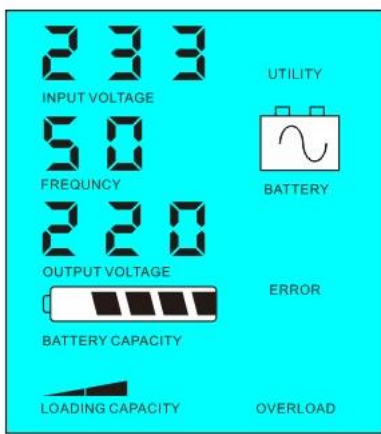
2.1 AC 01

1- 5ms

2- DC AC



LCD



2000VA	
1500W	
3000W	
24V / 48V / 96V	
350 * 220 * 460	
370 * 240 * 480	
20	
22	
1	AC
2	5
3	DC UPS
AC	220V ± 35V ± 110V + 35V ± 3% ± 60Hz ± 3% ± 50Hz
AC	220V ± 3% ± 230V ± 3% ± 240V ± 3% ± 100V ± 3% ± 110V ± 3%
	0.5 ± 0.5% ± 60Hz ± 50Hz
	AC 15A
	LCD
	THD ≤ 3
	> 120 1 > 130 10S
	1 6W
	1 3 a

