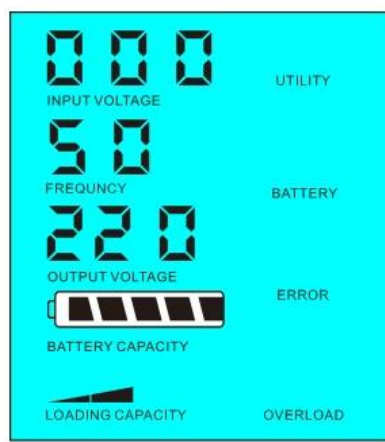
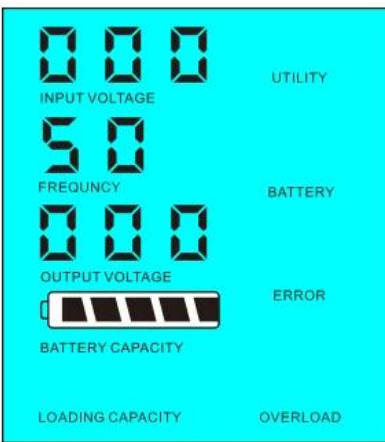


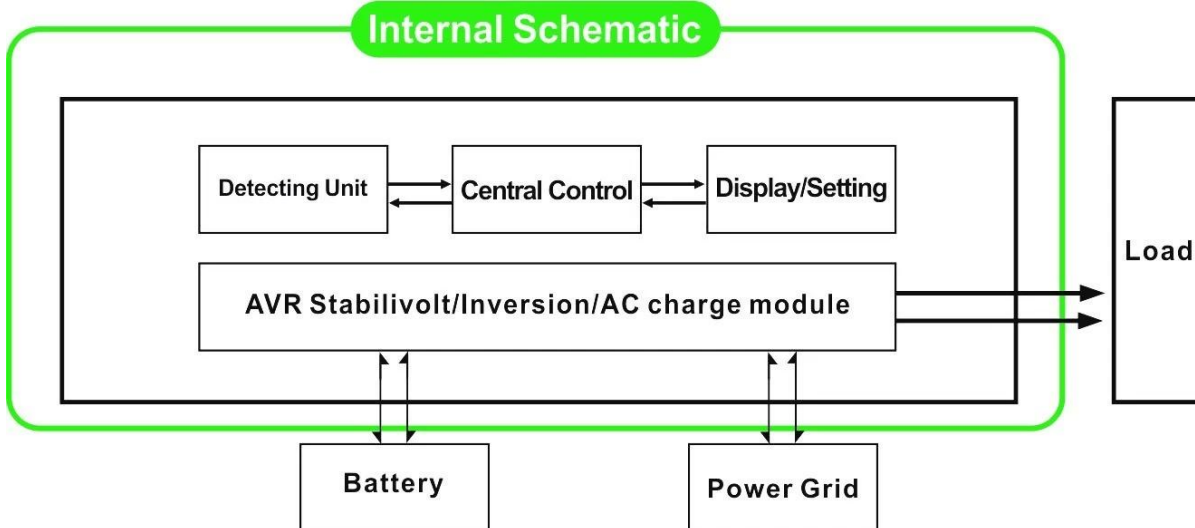
1.2 LCD 000 FREQUENCY AC 5 02.If 1-6W LCD 5 5 AC DC 0 LCD output



<5

> 5

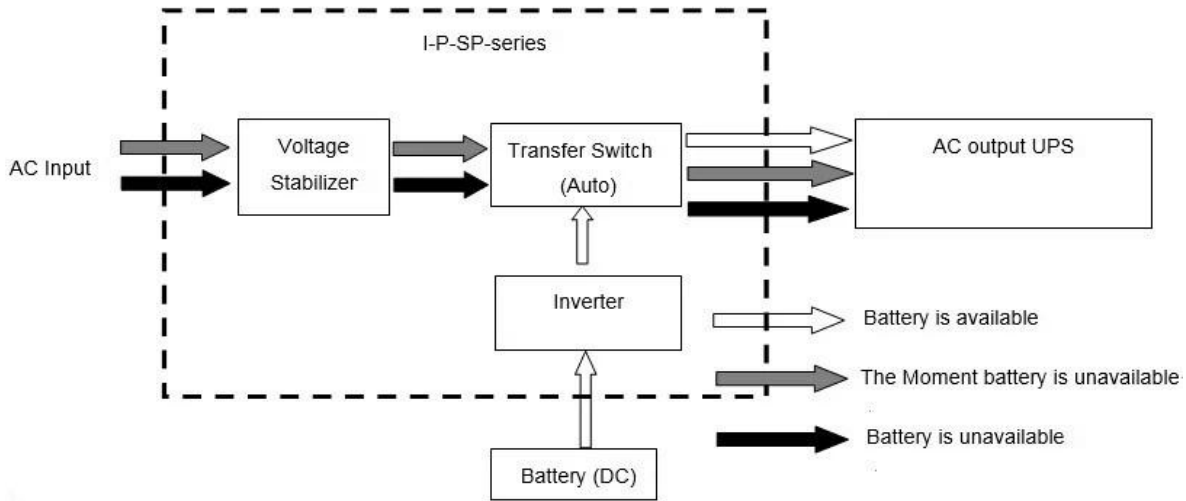
2 UPS AC DC



2.1 AC 01

1- 5ms

2- DC AC



LCD

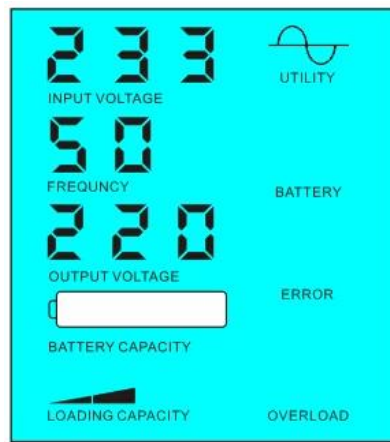
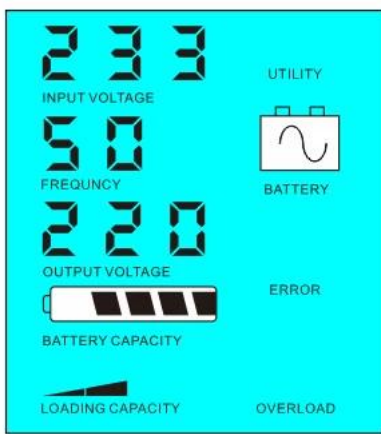


Figure 1: LCD display - Normal operation

Figure 2: LCD display - Battery low

Specifications

| | |
|----------------------|---|
| Model | 2000VA |
| Rated Power | 1500W |
| Max Power | 3000W |
| Input Voltage (DC) | 24V / 48V / 96V |
| Dimensions (WxDxH)mm | 350 * 220 * 460 |
| Dimensions (WxDxH)mm | 370 * 240 * 480 |
| Weight (kg) | 20 |
| Net Weight (kg) | 22 |
| Input | 1 AC |
| Output | 2 AC, 3 DC |
| AC Input | 220V±3% 50/60Hz±3% |
| AC Output | 220V±3% 230V±3% 240V±3% 100V±3% 110V±3% |
| DC Output | 0~15A |
| Efficiency | > 95% |
| THD | THD≤3% |
| Response Time | < 10ms |
| Standby Power | 1~6W |
| Self-discharge | 1~3%/a |

