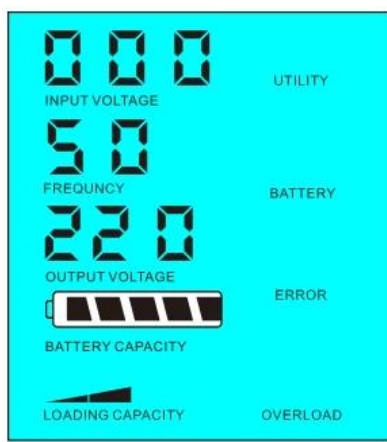
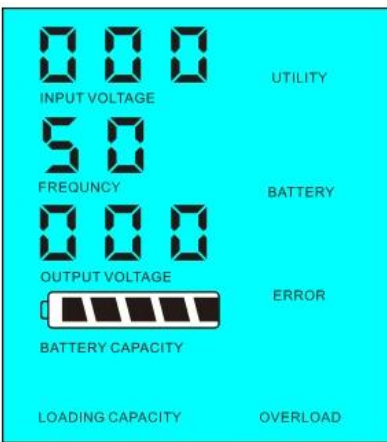


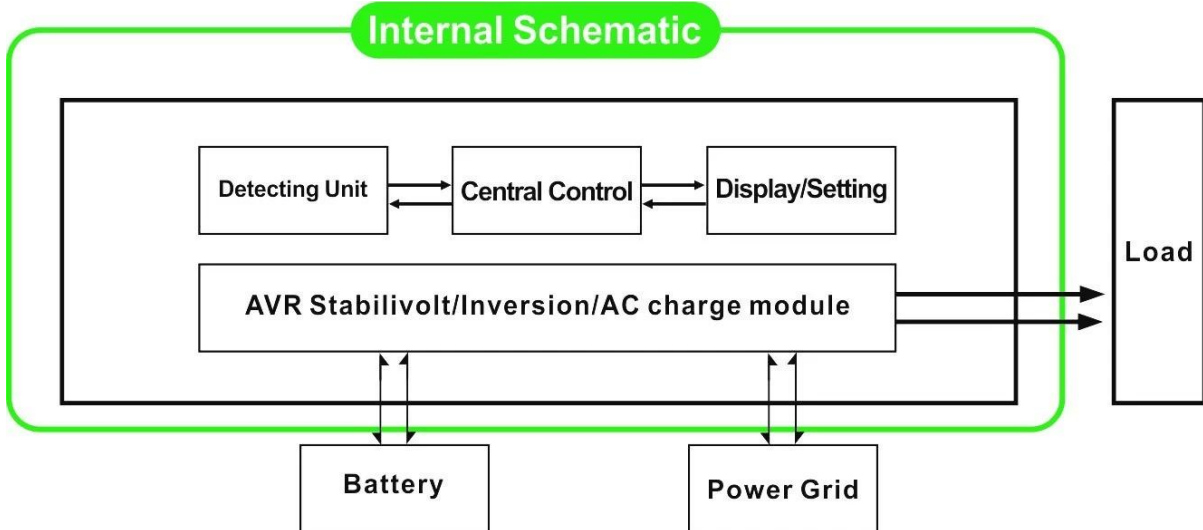
1.2 LCD displays various parameters: INPUT VOLTAGE (000), FREQUENCY (50), OUTPUT VOLTAGE (220), BATTERY CAPACITY, LOADING CAPACITY, and OVERLOAD. The display also features icons for UTILITY (AC sine wave), BATTERY, and ERROR.



Output voltage < 5V

Output voltage > 5V

2. The system includes a UPS, AC input, and DC output. The LCD output is used for monitoring and control.



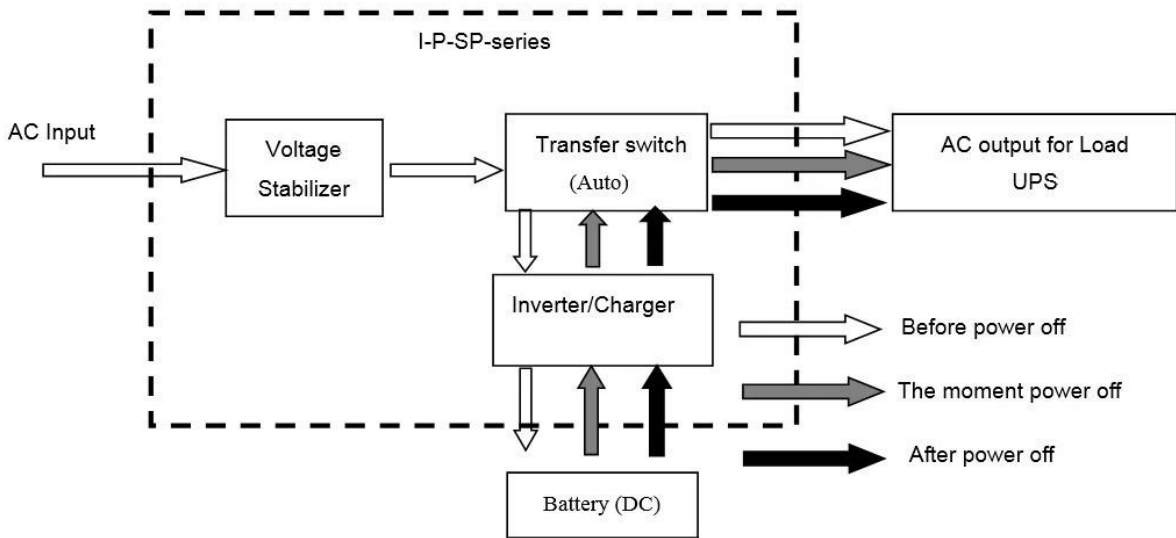
2.1 AC input and DC output. The system is designed to provide stable power to the load.

Input voltage

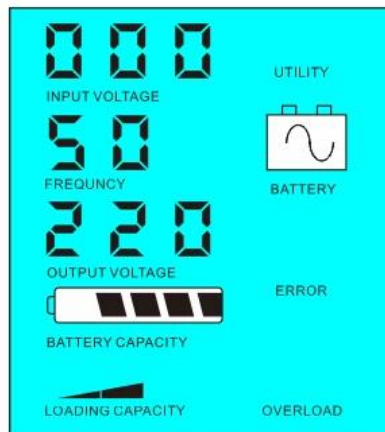
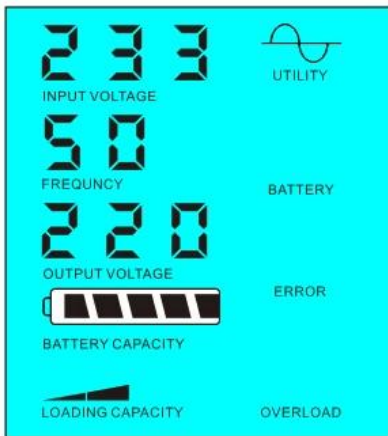
1. Input voltage range: 1-6W

2. Output voltage range: 5ms

00003



LCD



2.2 DC UPS LCD FREQUENCY

03

1 AC

2

3







