

12V 24V 48V 4KW TPI2 UPS

□□□□



DC-



DC INPUT		
12V	24V	48V
	<input checked="" type="checkbox"/>	

DC+



Remote Port



PPINVA120140807801



AC OUTPUT



MAX 5A

AC INPUT AC OUTPUT



L N E L N E

Inverter
Output Protect



Charger
Input Protect





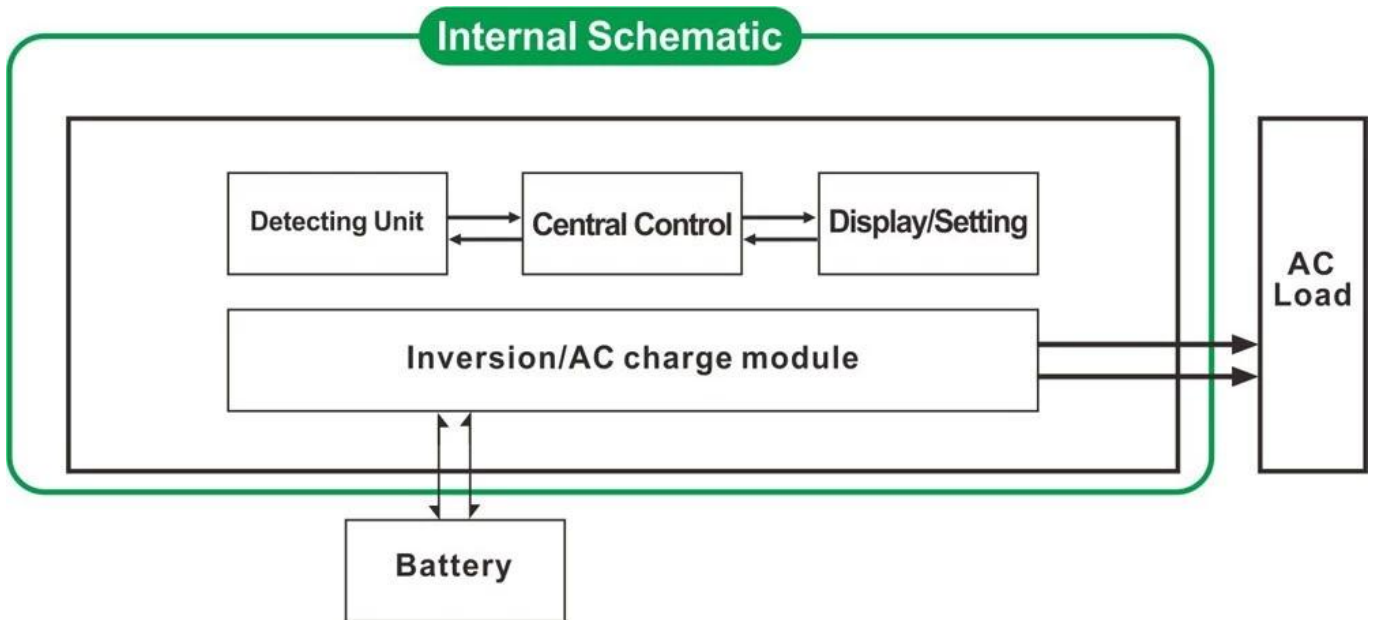
□□□□

1. 3□□□□□□□□□□□□□□□□
2. □□□□□□50Hz□□□□□□□□□□□□□□□60 HZ
3. □□□□□□DC□□/ AC□□□□□□□□□□□□□□□□
- 1□6□□□□□□□□4.□□□□consumption
- 5.□□□□□□□□□□CC□CV□CF

□□□□□□□□□□□□□□ □□□□□□□□□□

□□

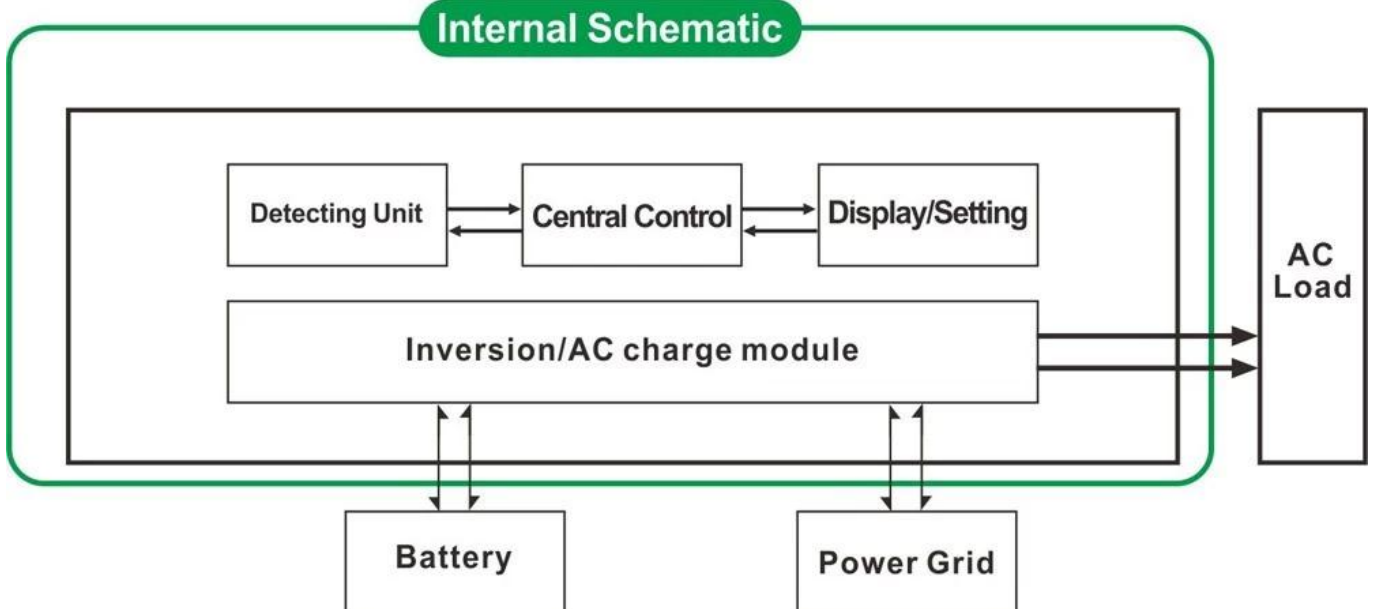
1.DC / AC□□□□



2. 1. 2. 3.



3. UPS



- 3.1.
- 3.2.

- 1.
2. CPU

3. LCD LED

4. 1 DC 50Hz 60Hz

5. 87-98 1W 6W

6. 8

7.

8. 3 1KW 1HP 2KW 2HP 3KW 3HP

9. 5

10.

11. EMC LVD RoHS

12. 2

		1000W	2000W	3000W	4000W	5000W	6000W	
		1000W	2000W	3000W	4000W	5000W	6000W	
		3000W	6000W	9000W	12000W	15000W	18000W	
DC		12V 24V 48V		24V 48V				
WxDxH mm		318 * 218 * 368			440 * 218 * 400			
WxDxH mm		395 * 275 * 520			520 * 275 * 520			
kg		27	28	30	39	40	51	
kg		29	30	32	43	48	53	
ON								
	S-ON	Mode.1-6W 5						
	OFF							
AC		220V 35 ± 110V + 35						
		50Hz 60Hz						
AC		3 ± 220V 230V ± 3 240V ± 3 100V ± 3 110V ± 3						
		50Hz 60Hz DC / AC						
BAT	AC	1000W	2000W	3000W	4000W	5000W	6000W	
	12V	35A	65A	75A	/	/	/	
	24V	20A	35A	45A	65A	70A	75A	
	48V	10A	15A	30A	35A	40A	50A	
0 AC		1 2 DE-OEM						
		CC CV CF						
UPS	AC							
	DC							
		+ LED						

