

12V 24V 48V 1KW TPI2 UPS

□□□□



DC-



DC INPUT		
12V	24V	48V
	✓	

DC+



Remote Port



PP2012201+001502



AC OUTPUT



MAX 5A

AC INPUT | AC OUTPUT



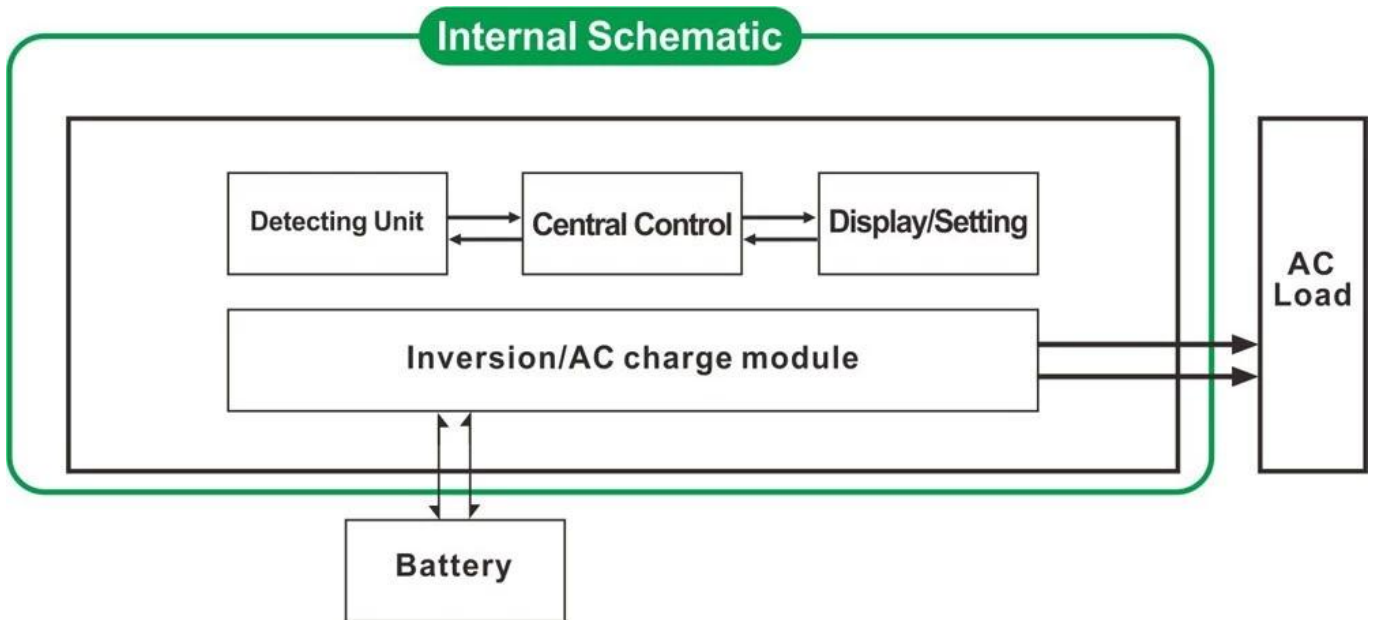
L N E | L N E

Inverter Output Protect



Charger Input Protect

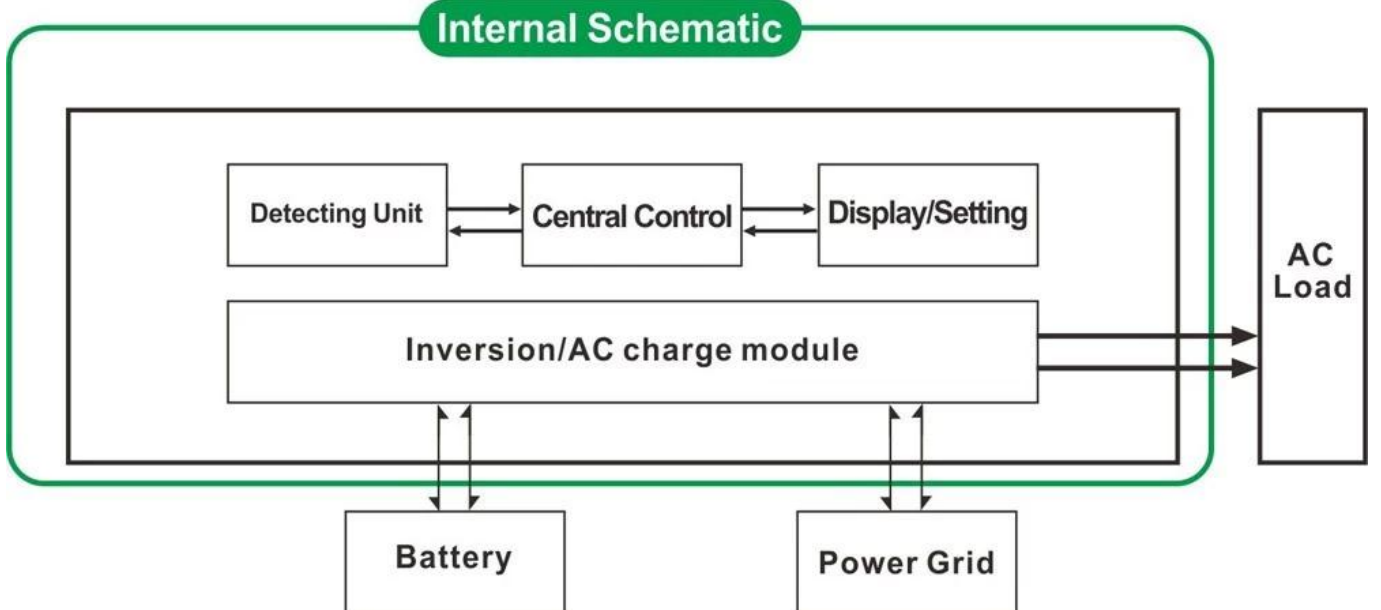




2. 1. 2. 3.



3. UPS



- 3.1. 3.2.

1. 2. CPU

3. LCD LED

4. 1 DC 50Hz 60Hz

5. 87-98 1W 6W

6. 8

7.

8. 3 1KW 1HP 2KW 2HP 3KW 3HP

9. 5

10.

11. EMC LVD RoHS

12. 2

		1000W	2000W	3000W	4000W	5000W	6000W	
		1000W	2000W	3000W	4000W	5000W	6000W	
		3000W	6000W	9000W	12000W	15000W	18000W	
DC		12V 24V 48V			24V 48V			
WxDxH mm		318 * 218 * 368			440 * 218 * 400			
WxDxH mm		395 * 275 * 520			520 * 275 * 520			
kg		27	28	30	39	40	51	
		29	30	32	43	48	53	
	ON							
	S-ON	Mode.1-6W 5						
	OFF							
AC		220V 35 110V + 35 ±						
		50Hz 60Hz						
AC		220V±3 230V±3 240V±3 3 ±100V 110V±3						
		50Hz 60Hz DC / AC						
	AC	BAT	1000W	2000W	3000W	4000W	5000W	6000W
		12V	35A	65A	75A	/	/	/
		24V	20A	35A	45A	65A	70A	75A
		48V	10A	15A	30A	35A	40A	50A
0 AC		1 2 DE-OEM						
		CC CV CF						
UPS	AC							
	DC							
		+ LED						

□□□□		> 120□1□□> 130□□10S
□□□□	□□□□□□□□	1□6W
	□□□□□	1□□3□a□
□□□□		87□□□□□□98□□□□□□
□□□□		<5ms□□AC DC□/ AC□DC□
□□		□□□□□□□□□□□□□□□□ □□□□□□□□□□
	□□	-10°C□50°C
□□	□□	□90□□10□
	□□	≤4000m

