

MPPT IP-HPC

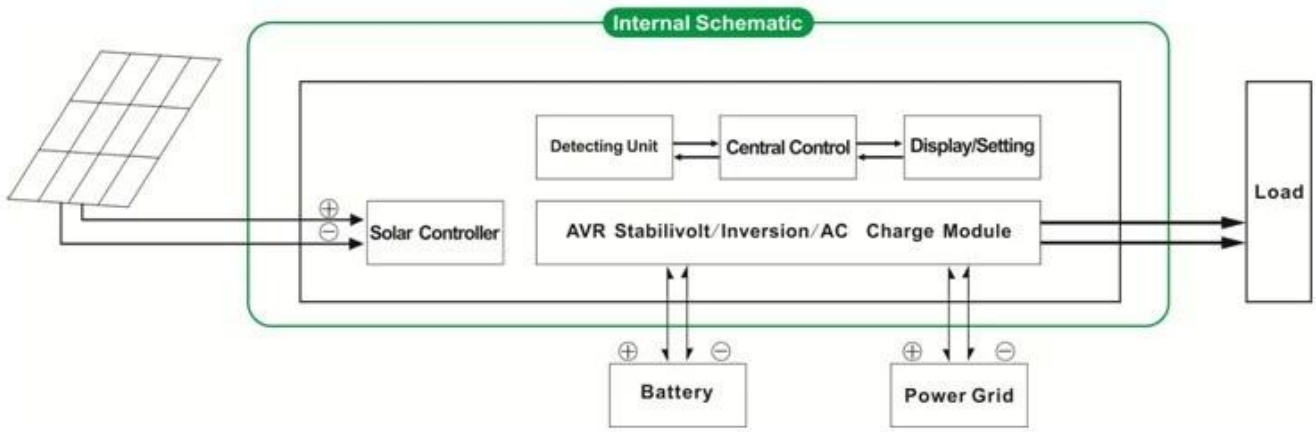
# I-P-HPC-Series System



I-P-HPC-Series Inverter+Solar Controller

MPPT

MPPT IP-HPC- AC DC &038; 1. 2.Solar



### 产品特点

- 1. Easy installation
- 2. CPU control with LCD display
- 3. MPPT
- 4. Intelligent
- 5. Intellectual
- 6. Strong
- 7. Strong
- 8. Perfect
- 9. CE / EMC / LVD / RoHS
- 10. Two

### 应用

#### 1. Charging

- 1.1 PV
- 1.2 PV +

#### 2. Utility

- 2.1 AC

- 1.
- 2. 5ms
- 3.

#### 3. Timing

- 2.
- 3.1
- 3.2

#### 4. Recording

- 4.1
- 4.2







Rs232

B0  
B1  
B2  
B3  
B4  
B5  
B6  
B7  
B8  
B9  
0.1

MONITOR BATTERY VOLTAGE DETECTION

Battery Switch

AC Input Switch

Solar Input

DC Output



Battery input



Input voltage  12VDC  24VDC

AC INPUT N L  $\oplus$   $\oplus$   $\oplus$   $\oplus$   $\oplus$   $\oplus$  AC OUTPUT



⚠ Pay attention to high voltage ⚠