

12V 24V 48V 6KW TPI2 UPS

□□□□



DC-



DC INPUT		
12V	24V	48V
	<input checked="" type="checkbox"/>	

DC+



Remote Port



PPINVA120140807801



AC OUTPUT



MAX 5A

AC INPUT AC OUTPUT



L N E L N E

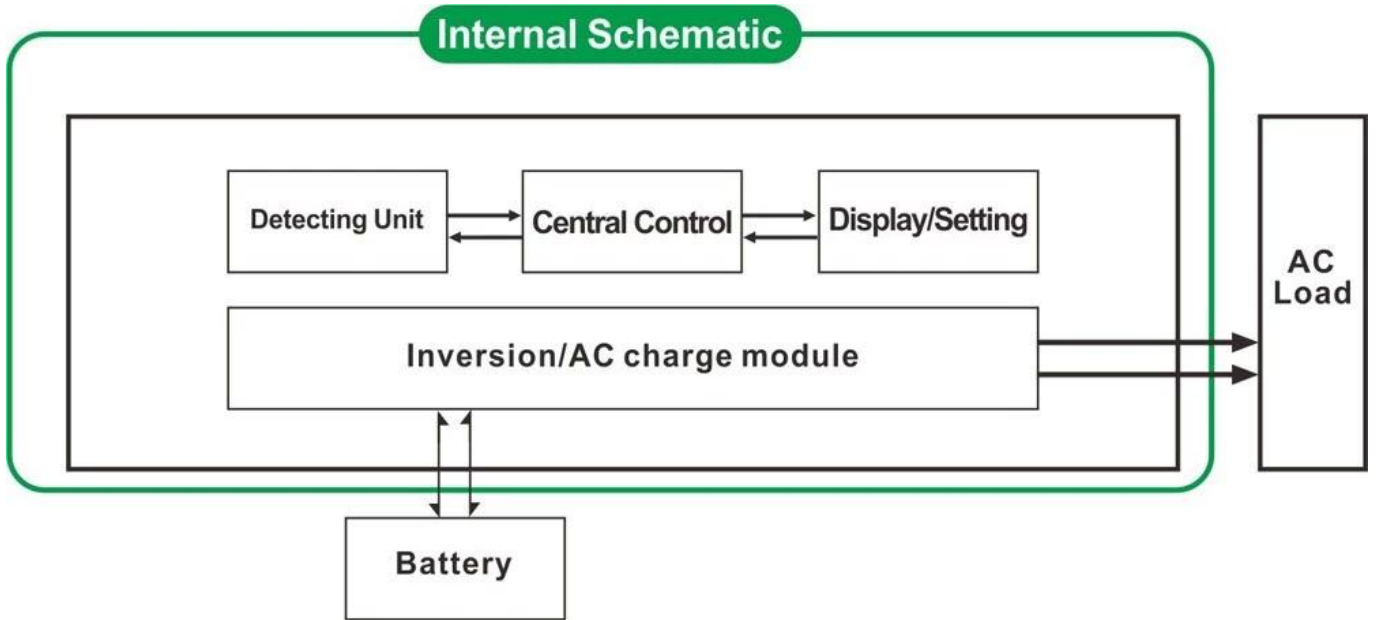
Inverter  
Output Protect



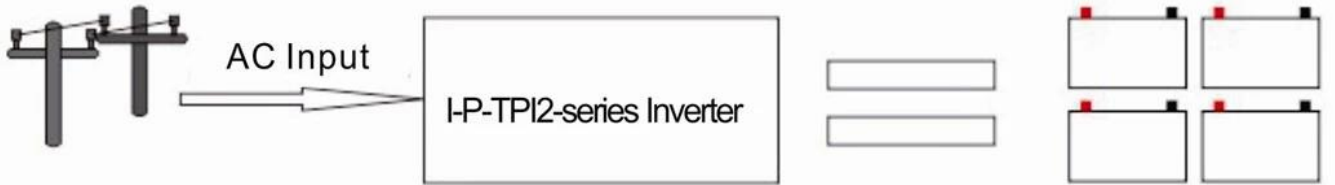
Charger  
Input Protect



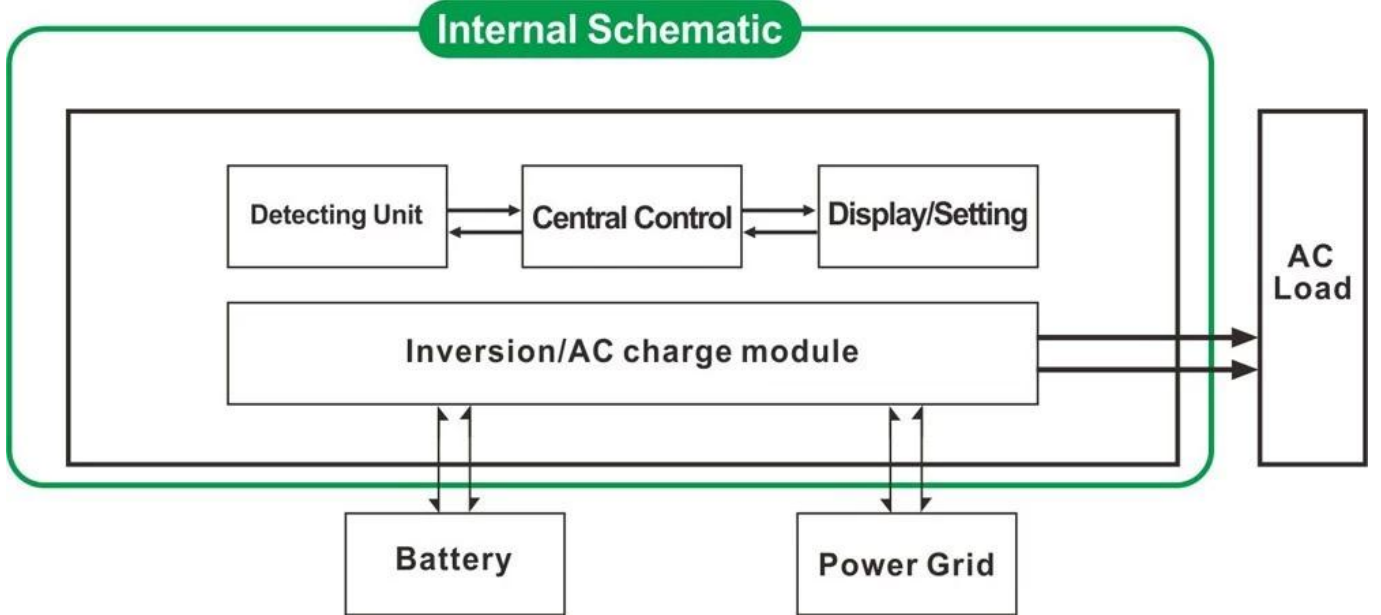




- 2
- 1
- 2
- 3
- 



- 3 UPS
- 



- 3.1
- 3.2
- 
- 1
- 2 CPU

3 LCD LED

4 AC DC

5 87 98 1W 6W

6 8

7

8 3

1KW 2KW 2HP 1HP 3KW 3HP

9

5

10

EMC LVD RoHS

11

12

1000W		2000W	3000W	4000W	5000W	6000W
1000W		2000W	3000W	4000W	5000W	6000W
3000W		6000W	9000W	12000W	15000W	18000W
DC		12V 24V 48V	24V 48V			
WxDxH mm		318 * 218 * 368			440 * 218 * 400	
WxDxH mm		395 * 275 * 520			520 * 275 * 520	
kg		27	28	30	39	40
kg		29	30	32	43	48
S-ON	Mode.1-6W 5					
	5					
AC	220V 35± 110V + 35					
	50Hz 60Hz					
AC	3±220V 230V±3 240V±3 100V±3					
	110V±3 50Hz 60Hz DC / AC					
AC	BAT	1000W	2000W	3000W	4000W	5000W
	12V	35A	65A	75A	/	/
	24V	20A	35A	45A	65A	70A
	48V	10a	15A	30A	35A	40A
UPS	1 2 OEM					
	CC CV CF					
	OEM					
	OEM					
UPS	AC	OEM				
	DC	OEM				
LED	+ LED					
	OEM					
> 120 1 > 130 10S						
6W	1 6W					
	1 3A					
87 98						

□□□□		<5ms□□AC-DC□/ AC□DC□
□□		□□□□□□□□□□□□ □□□□□□□□□□
	□□	-10°C□50°C
□□	□□	10□□90□
	□□	≤4000m

