

12V 24V 48V 1KW TPI2 series Inverter Charger UPS China

Detailed pictures



DC-



| DC INPUT | | |
|----------|-----|-----|
| 12V | 24V | 48V |
| | ✓ | |

DC+



Remote Port



AC OUTPUT



MAX 5A

AC INPUT | AC OUTPUT



L N E | L N E

Inverter
Output Protect



Charger
Input Protect





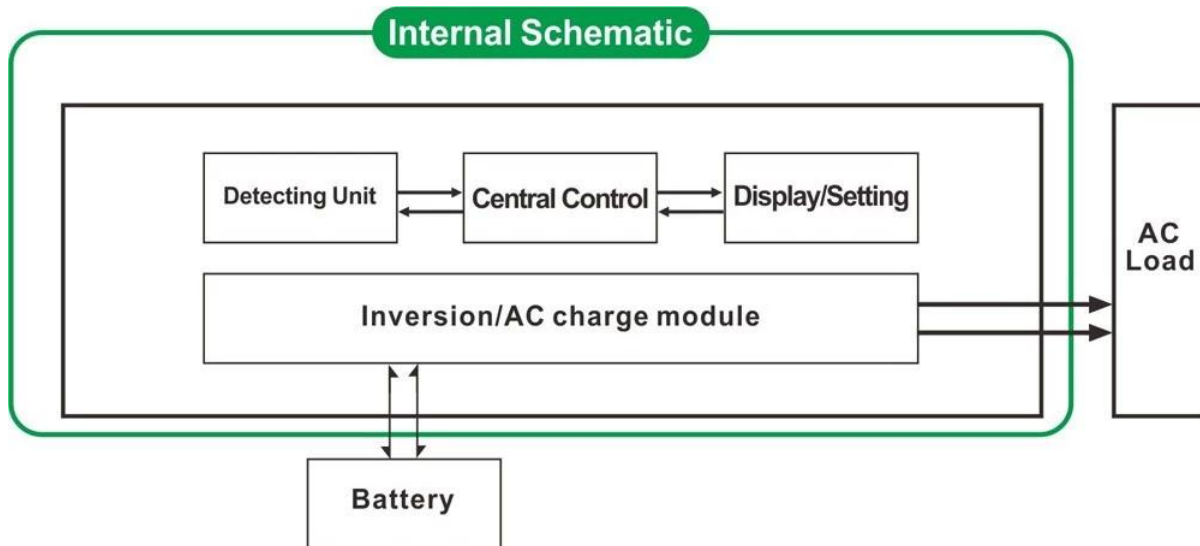
Key Features

1. Surge power of the inverter upto 3 times
2. Output Frequency: 50HZ or 60 HZ adjustable by users
3. Work Modes: DC first / AC first adjustable by users
4. Low power consumption under sleep mode, 1-6w
5. Three charge stage to battery: CC, CV, CF

To get specification, please [download here](#)

Function

1.DC/AC Conversion Function



2. High-power intelligent charging function

1 It Can charge 8 kinds of batteries (detail please check parameter)

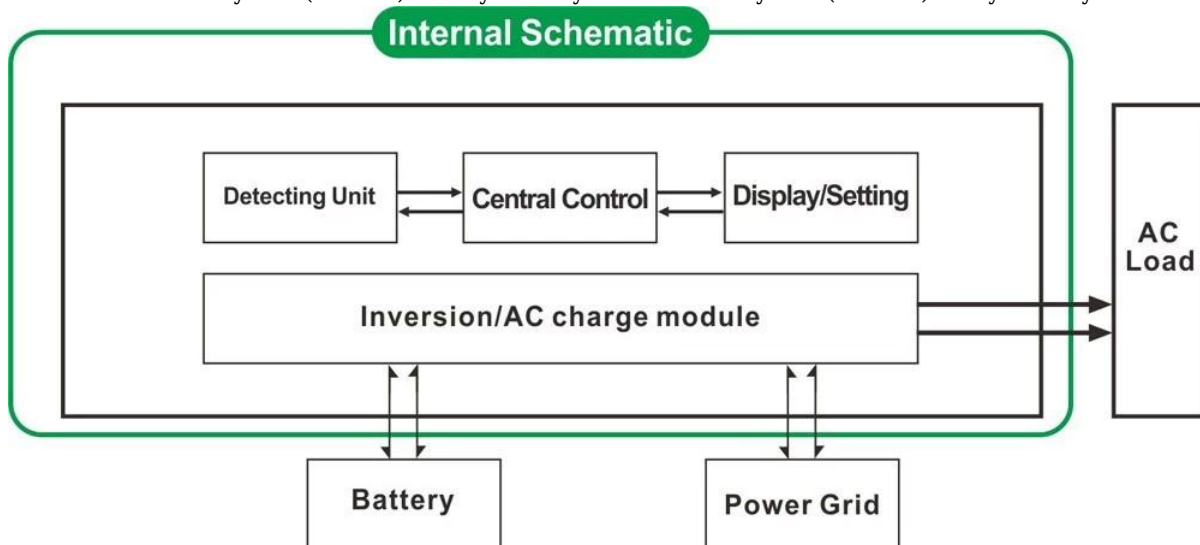
2 High charging power (detail please check parameter)

3 Three-stage charging mode: Constant current charging stage (CC), Constant voltage charging stage (CV), Float charging stage (CF)



3. UPS function

It can be set as utility first (AC first) battery standby mode or battery first (DC first) utility standby mode.



3.1. Utility first, battery standby UPS mode (on the panel turn the button to "AC")

3.2. Battery first, utility standby UPS mode (on the panel turn the button to "DC").

Features

1. Pure sine wave output

2. CPU management, intelligent control modular design

3. LCD and LED display can show the parameters and inverter working status.

4. Users can set it in sleep mode or normal working mode and set output priority (AC first or DC first). The output frequency (50Hz or 60Hz) can be chosen.

5. High conversion efficiency (87%-98%), low power consumption (1W~6W under sleep mode). It is the best choice of inverters for solar power system
6. The inverter can charge 8 kinds of batteries such as sealed lead acid battery, open lead-acid battery, gel battery. Kindly note: The lithium battery can be charged also, the related parameters need to be set in factory.
7. High charging power and the charging function can be closed
8. This series of inverters have strong load-carrying ability and overload capacity. The peak power is 3 times of the rated output power. For example, 1KW model can drive 1HP air conditioner, 2KW model can drive 2HP air conditioner, 3KW can drive 3HP conditioner.
9. Adopting the latest American low frequency circuit design, brand new imported electric materials, pure copper transformer, and the system is very stable long service life (more than 5 years under normal use)
10. Perfect protection (low input voltage protection, high input voltage protection, over temperature protection, short-circuit protection, overload protection)
11. EMC□LVD□RoHS certification approvals
12. 2-year warranty and life-time technical assistance.

Specification

| Parameter Model | 1000W | 2000W | 3000W | 4000W | 5000W | 6000W | |
|--|---|--|-------|--|--------|--------|-------|
| Rated Output Power | 1000W | 2000W | 3000W | 4000W | 5000W | 6000W | |
| Peak Power | 3000W | 6000W | 9000W | 12000W | 15000W | 18000W | |
| Battery Voltage(DC) | 12V or 24V or 48V(optional) | | | 24V or 48V(optional) | | | |
| Size WxDxH(mm) | 318*218*368 | | | 440*218*400 | | | |
| Packing Size WxDxH(mm) | 395*275*520 | | | 520*275*520 | | | |
| Net Weight (kg) | 27 | 28 | 30 | 39 | 40 | 51 | |
| Gross Weight (kg) | 29 | 30 | 32 | 43 | 48 | 53 | |
| Working Mode | ON | Normal working mode | | | | | |
| □Setting□ | S-ON | Sleep Mode.1-6W consumption When load's power higher than 5% rated output power, it will start to work automatically | | | | | |
| AC Input | OFF | Completely off | | | | | |
| Voltage | 220V±35% or 110V+35%(optional) | | | | | | |
| Frequency | 50HZ or 60HZ | | | | | | |
| AC Output | Voltage | 220V±3% or 230V±3 or 240V±3% or 100V±3% or 110V±3%(optional) | | | | | |
| Frequency | Frequency is the same as utility's frequency in utility mode. | | | Frequency 50Hz or 60Hz(optional) in DC/AC convert mode | | | |
| AC Charge | BAT | 1000W | 2000W | 3000W | 4000W | 5000W | 6000W |
| Current | 12V | 35A | 65A | 75A | / | / | / |
| (Max) | 24V | 20A | 35A | 45A | 65A | 70A | 75A |
| Utility Charging | 48V | 10A | 15A | 30A | 35A | 40A | 50A |
| (Battery type "0" means that AC charging function is closed) | Battery Type | American Gel Battery, Wool Battery 1, Wool Battery2, Sealed Lead Acid Battery, Europe Gel Battery, Open Lead Acid batteries, Calcium Battery, De-Acid Battery or OEM Battery | | | | | |
| | Charging Mode | Three-stage charging□CC, CV, CF | | | | | |
| | Charging Time | Decided by battery capacity and quantity | | | | | |
| | Battery Protection | Automatic detection□charge and discharge protection, intelligent management | | | | | |
| UPS | AC | Utility first, battery standby | | | | | |
| Priority | DC | Battery first, utility standby | | | | | |

| | | |
|-----------------------|---------------------|--|
| Display | Display Mode | LCD+LED |
| Output Wave Type | Display Information | Input voltage□output voltage□output frequency□battery capacity□Load condition□Status Information |
| Overload Ability | | Pure sine wave |
| Power Consumption | Sleep Mode | □120% 1 min□□130% 10s |
| Conversion Efficiency | Normal Mode | 1~6W |
| Transfer Time | | 1~3A |
| Protection | | 87%~98% |
| Environment | Temperature | □5ms □AC to DC / DC to AC□ |
| | Humidity | Overload output□short-circuit□high-voltage input□ |
| | Altitude | low-voltage input□overheats |
| | | -10°C□50°C |
| | | 10%□90% |
| | | ≤4000m |

Certificates

ISO2008

ISO2004

CE-EMC

CE-LVD

FCC

RoHS

Service and contact

1. OEM and ODM orders are provided.
2. Power solution consult available based on technical group
3. 24 months warranty; lifelong time extended technical service.
4. Any of your questions will be guided by professional technical team.
5. Free technical study and discussion on products are provided every year.

One of our other Key product: [I-P-eSmart2 MPPT charge controller](#).