

High power and voltage 96v 192v 216v 240v 384v Solar controller MPPT MPPT



New Arrival

GALAXY

MPPT Solar Controller

96V 192V 216V 240V 384V



The Galaxy series is a maximum power point monitoring function (MPPT) with high -efficiency MPPT controller mas has many advantages such as the large photovoltaic input, it is possible to set the voltage of the charger, RS485 or RS232 (optional) eCommunication door Lan.design modular, small volume, light weight, high conversion efficiency. It is the high -end product in the solar market.



Product model

Model	Battery system	Max. Photovoltaic input intention	Nominal current
Galaxy-B96-XXA	96V □8*12V)	430V	70a;80th
Galaxy-B192-XXA	192v □16*12V□	430V	50a;60th
Galaxy -B216 □220□ -xxa	216v □18*12V□		
Galaxy-B240-XXA	240V □20*12V□		
Galaxy-B384-XXA	384V □32*12V□	850V	70a;80th

Characteristic

- 1.A has an efficient MPPT algorithm, MPPT efficiency $\geq 99.5\%$ and efficiency of the converter up to 98%.
2. Charge mode: three phases (constant current, constant voltage, mobile charge), extends the duration of the batteries.
3. Four types of load mode selection: on/off, control of photovoltaic voltage, double -time control, PV+time control.
4. Prepreter me settings of the commonly used lead lead parameters (seal \ gel \ flood) Fance are selected by the user and the user can also customize the parameters for other battery charging.
5. It takes a current limiting top -up function. When the power of the photovoltaic is too large, the controller automatically maintains the charging power and the charging current will not exceed the nominal value.
6. Suport Multi - Machine Parallel to create the system power supply.
7. High definition LCD display function to also check the data in execution of the device and the state of work, it can also support modify the controller display parameter.
- 8.RS485 communication, we can offer a communication protocol to the comfortable integrated management of the user and secondary development.
- 9.Support PC software monitoring and wifi module to create the cloud app monitoring.
- 10.ce, Rohs, approved FCC certifications, we can help customers pass various certifications.
- 11.3 years of guarantee and 3 ~ 10 years an extensive guarantee service may also be provided.

PC software, monitoring software, view and set the parameter

The screenshot displays the IPANDEE MPPT Solar Monitor V1.0 software interface. The main window shows various monitoring and configuration parameters for an Explorer-M2460 MPPT controller. Key sections include:

- Running State:** Shows the controller is in a Standby state.
- Real-time Data:** Displays current PV voltage (0.1V), battery voltage (14.2V), load voltage (14.1V), and other real-time metrics.
- Bat Parameters Of Controller:** Lists battery type (FLD), system voltage (Auto), and various charging and equalizing parameters.
- Load Output Parameters Of Controller:** Shows load control mode (On Mode) and a note about protection.
- Bat Parameters Set:** Allows selection of battery type (FLD) and system voltage (Auto).
- Lead Acid Battery (9~15V) and Lithium Battery:** Provides detailed settings for different battery types, including charging voltages, equalizing times, and recovery parameters.
- Light Mode and Dual Timer Mode:** Configures load control based on light levels and timer settings.
- Light-Time Mode:** Sets load control based on light/dark cycles.
- Load Mode Selection:** Allows switching between different load modes.

The interface also features a sidebar with control buttons (CHECK ADDRESS, STOP MONITOR, START EDIT, SET TIME, RESTORE, DATA CORRECTION) and a bottom status bar with system information.

PC software

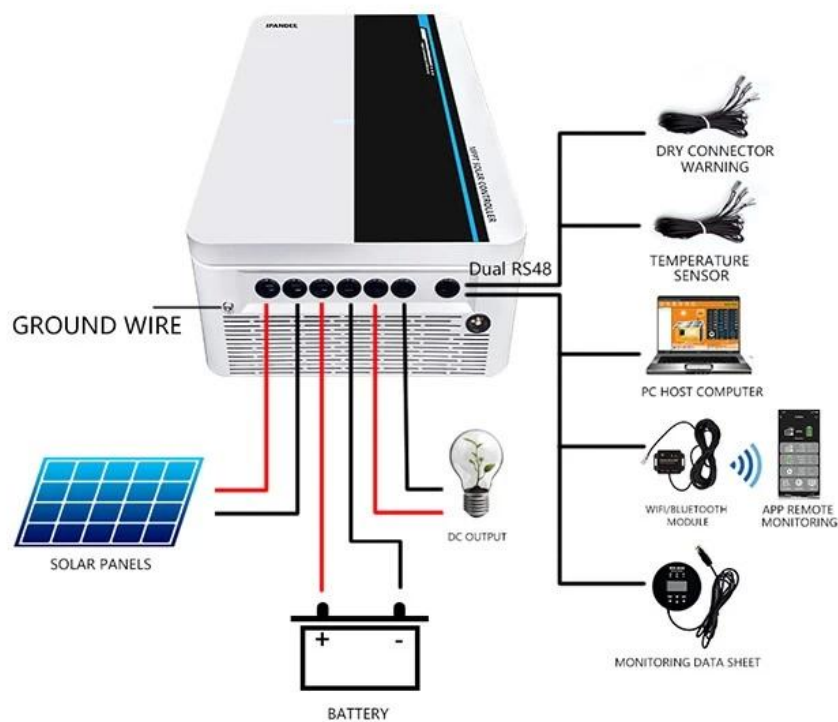
View state of charge and discharge, photovoltaic voltage, charge voltage, charge current etc. And the related parameter can be set.

parameter

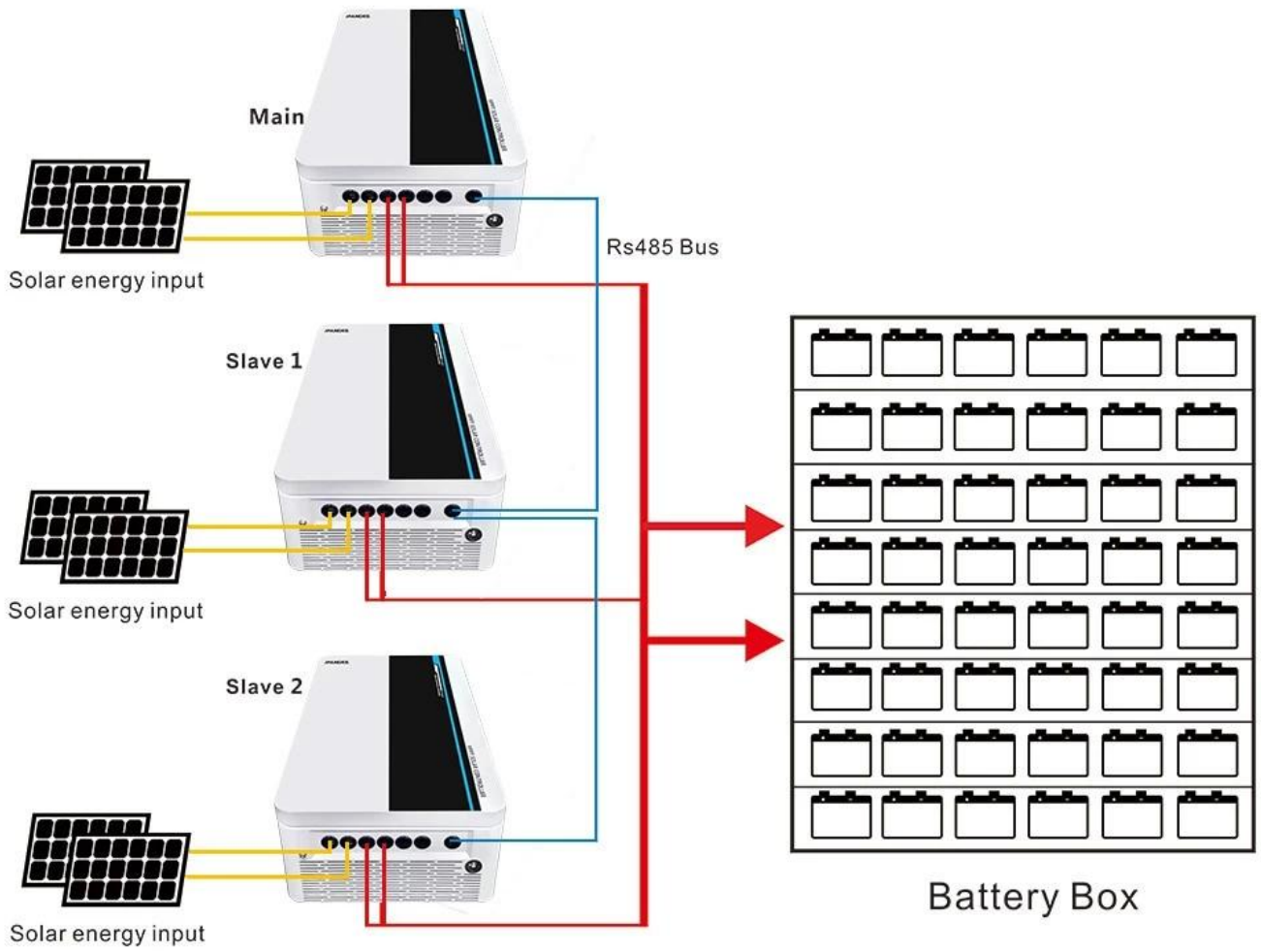
GALAXY	Series	B96			B192 \ B216 \ B220 \ B240				
	Power model	70th	80th	100a	50th	60th	70th	80th	100a
Product category	Property of the controller	MPPT (maximum tracking of the power point)							
	MPPT efficiency	≥98%	≥98%	≥98%	≥98%	≥98%	≥98%	≥98%	≥98%
	System voltage	DC96V			DC192V \ DC216V (DC220V) \ DC240V				
	Gamma of Videndification	DC72V ~ DC128V			DC144V ~ DC256V \ DC162V ~ DC288V \ DC180V ~ DC320V				
	Method that is dissipating of heat	Cooling of the intelligent fan							
Input features	Vmax-PV open circuit	DC430V			DC430V	DC430V	DC660V	DC660V	DC660V
	Start Charge Vstart-PV	Vbat+20v	Vbat+20v	Vbat+20v	Vbat+20v	Vbat+20v	Vbat+20v	Vbat+20v	Vbat+20v
	With low protection Vlow-PV	Vbat+10v	Vbat+10v	Vbat+10v	Vbat+10v	Vbat+10v	Vbat+10v	Vbat+10v	Vbat+10v
	Over Protection Vover-PV	DC430V	DC430V	DC430V	DC430V	DC430V	DC660V	DC660V	DC660V
	Nominal photovoltaic power	7280w	8320W	10400	10400W \ 11700W \ 13000W	12480w \ 14040W \ 15600W	14560W \ 16380w \ 18200w	16640W \ 18720W \ 20800W	20800W \ 23400W \ 26000w
Charge features	Selectable battery types	The sealed lead acid, the gel battery, flooded (also other types of batteries)- default gel battery can also be defined							
	Current classified in charge	70th	80th	100a	50th	60th	70th	80th	100a
	Charging method	3 stadiums: constant current (quick loading) -Caric to the flourishing of the voltage							
Loading characteristics	Load voltage	The same as the battery voltage			The same as the battery voltage		□	□	□
	Current current charge	70th	80th	100a	50th	60th	□	□	□
	Method control of loading	On \ off methods, mode of control of photovoltaic voltage, double -time control mode, PV + Time control mode					□	□	□
Display and communication	Display mode	LCD128*64 POINT POINTS/ RETROILLUMPATION display							
	Methods of communication	8 -pin RJ45 port							

Other parameters	Protect the function	Input-output on \ in protection of voltage, prevention of the reverse protection of connection etc.		
	Operating temperature	-20 °C ~+50 °C		
	Storage temperature	-40 °C ~+75 °C		
	IP (entrance protection)	IP21		
	Net weight (kg)	14.7 kg	14.7 kg	18.8 kg
	Gross weight (kg)	16.6 kg	16.6 kg	20.6 kg
	Product size [mm]	371*500*187	371*500*187	391*500*227
	Packing size (mm)	590*420*270	590*420*270	590*440*320

System connection diagram



Parallel connection diagram



Note: above is the company's standard parameters, any modification controls our official website.