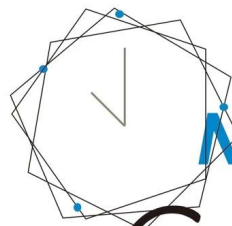


# High Power and Voltage 96V 192V 216V 240V 384V MPPT solar controller



*New Arrival*

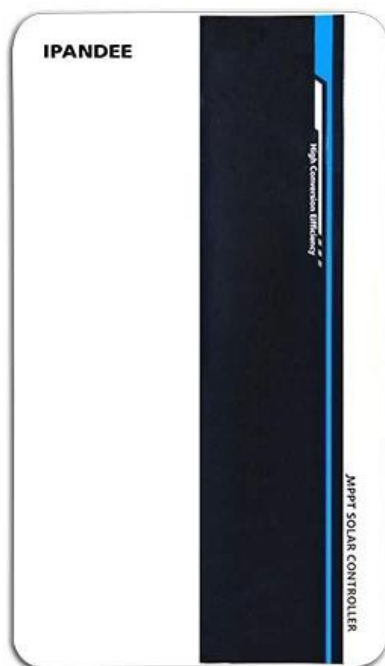
# GALAXY

*MPPT Solar Controller*

96V 192V 216V 240V 384V



GALAXY series is a Maximum Power Point tracking(MPPT) function with high efficiency MPPT charge controller. It has many advantages such as wide rang of PV input, charger voltage can be set, RS485 or RS232 (optional) and LAN communication port. Modular design, Small volume, light weight, high conversion efficiency. It is the most high-end product in solar market.



**Product Model**

Model	Battery system	Max. PV input voltage	Rated current
GALAXY-B96-XXA	96V(8*12V)	430V	70A;80A
GALAXY-B192-XXA	192V(16*12V)	430V	50A;60A
GALAXY-B216(220)-XXA	216V(18*12V)		
GALAXY-B240-XXA	240V(20*12V)		
GALAXY-B384-XXA	384V(32*12V)	850V	70A;80A

## Feature

- 1.It has an efficient MPPT algorithm, MPPT efficiency  $\geq 99.5\%$  and converter efficiency up to 98%.
- 2.Charge mode: three stages (constant current, constant voltage, floating charge), it prolongs service life of the batteries.
- 3.Four types of load mode selection: ON/OFF, PV voltage control, Dual Time control, PV+Time control .
- 4.Three kinds of commonly used lead-acid battery (Seal\Gel\Flooded) parameter settings fcan be selected by the user, and the user can also customize the parameters for other battery charging.
- 5.It has a current limiting charging function. When the power of PV is too large, the controller automatically keeps the charging power, and the charging current will not exceed the rated value.
- 6.Support multi - machine parallel to realize system power upgrade.
- 7.High definition LCD display function to check the device running data and working status, also can support modify the controller display parameter.
- 8.RS485 communication, we can offer communication protocol to convenient user’s integrated management and secondary development.
- 9.Support PC software monitoring and WiFi module to realize APP cloud monitoring.
- 10.CE, RoHS, FCC certifications approved, we can assist clients to pass various certifications.
- 11.3 YEARS warranty, and 3~10 years extended warranty service also can be provided.

PC software, Monitoring software, display and set the parameter

The screenshot shows the IPANDEE MPPT Solar Monitor V1.0 software interface. The main window displays various monitoring and configuration parameters. The top bar shows the model (Explorer-M2460), firmware (V2.6), and serial number (9246111120220419). A message prompts the user to click [START EDIT] to modify parameters. The interface is organized into several panels:

- Running State:** Shows the controller is in Standby mode.
- Real-time Data:** Displays current PV voltage (0.1V), battery voltage (14.2V), load voltage (14.1V), charging current (0.0A), load current (0.4A), charging power (0W), load power (5W), inner temperature (27.0°C), battery temperature (25.0°C), and an alarm tip (PV Low).
- Electricity Statistics:** Shows daily, monthly, and total charging and usage statistics (e.g., Day CHG: 0.0kWh, Total CHG: 0.0kWh, Day Used: 0.5kWh, TotalUsed: 0.5kWh).
- Bat Parameters Of Controller:** Lists battery category (FLD), system voltage (Auto)12V, C.V. Charge (14.6V), Float Charge (13.8V), Equalizing V (14.8V), Equalizing T (30 min), Max Chg Curr (60.0A), Max LoadCurr (30.0A), Battery Over (15.0V), Over Recover (14.8V), and Battery Low (10.5V), Low Recover (11.0V).
- Load Output Parameters Of Controller:** Shows Load Control Mode set to On Mode and a note that the load will turn off if Vbat exceeds protection.
- Bat Parameters Set:** Allows selection of battery type (FLD) and system voltage (Auto). It also shows Max CHG -I (60.0A) and Max Load-I (30.0A) with a SAVE button.
- Load Output Set:** Configures Light Mode (On Load->PV Low: 13.0V, Off Delay: 10 min; OffLoad->PV OK: 13.0V, Off Delay: 10 min), Dual Timer Mode (Timer1-On Time: 10:00, OFF Time: 11:00; Timer2-On Time: 00:00, OFF Time: 00:00), and Light-Time Mode (Dark->On Load->PvLow: 13.0V, On Hour: 12 H; Dawn->OffLoad->Pv Ok: 13.0V, On Hour: 0 H). A Load Mode Selection dropdown is set to On Mode.

The bottom status bar includes: Copyright(C)IPANDEE [2022/1], 2022- 4-19 15:37:33, Bytes received: 378468, Bytes sent: 99320, Language English, and a button to switch to Chinese (切换为中文).

PC software

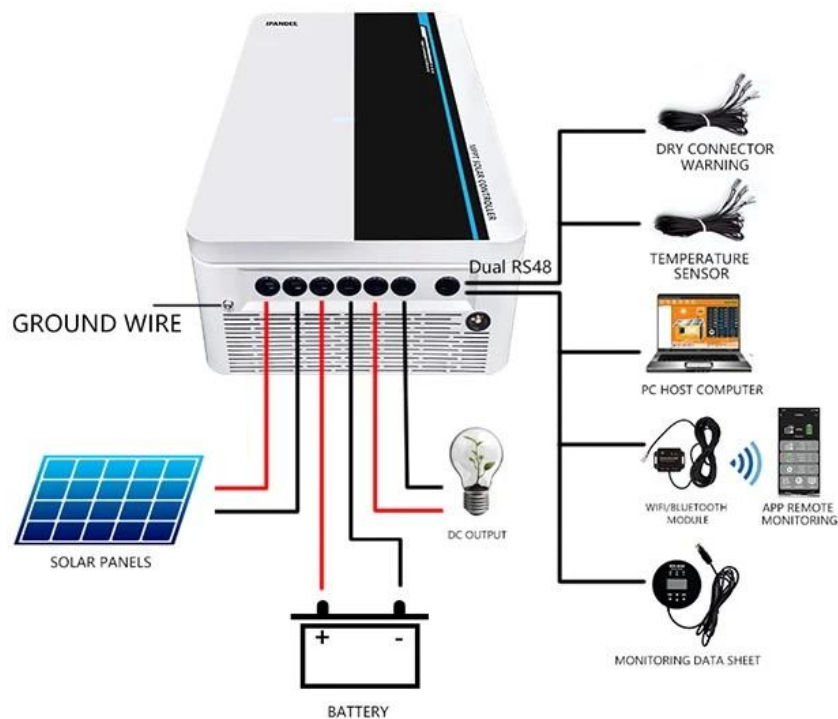
Display charge and discharge status, PV voltage, Charge voltage, Charge current etc. And the related parameter can be set.

parameter

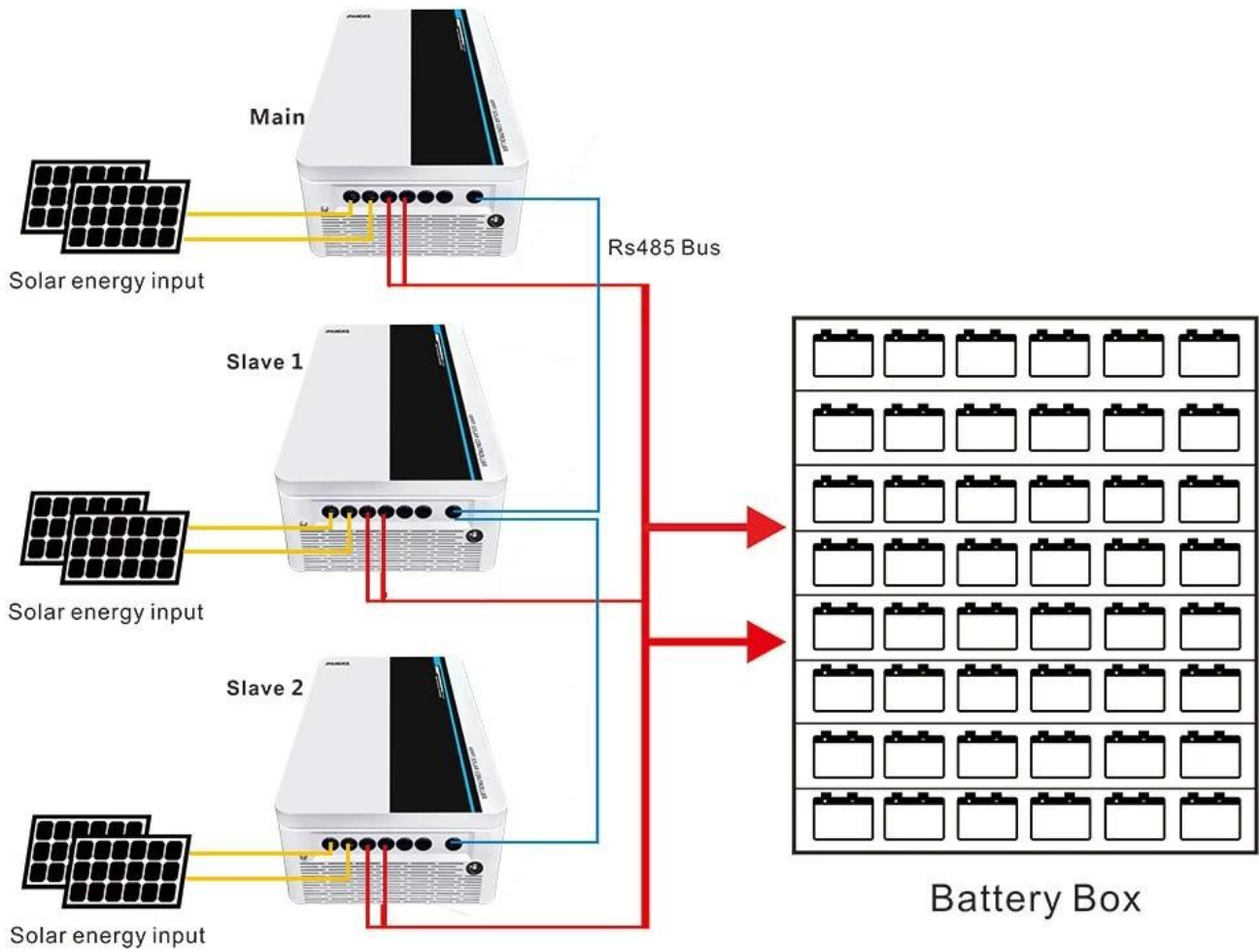
GALAXY	Series	B96			B192\B216\220\B240				
	Power model	70A	80A	100A	50A	60A	70A	80A	100A
Product category	Controller Properties	MPPT (maximum power point tracking)							
	MPPT efficiency	≥98%	≥98%	≥98%	≥98%	≥98%	≥98%	≥98%	≥98%
	System voltage	DC96V			DC192V\DC216V(DC220V)\DC240V				
	Range of Videntification	DC72V~DC128V			DC144V~DC256V\DC162V~DC288V\DC180V~DC320V				
	Heat-dissipating method	Intelligent fan cooling							
Input Characteristics	Open circuit Vmax-pv	DC430V			DC430V	DC430V	DC660V	DC660V	DC660V
	Start charge Vstart-pv	Vbat+20V	Vbat+20V	Vbat+20V	Vbat+20V	Vbat+20V	Vbat+20V	Vbat+20V	Vbat+20V
	Low protection Vlow-pv	Vbat+10V	Vbat+10V	Vbat+10V	Vbat+10V	Vbat+10V	Vbat+10V	Vbat+10V	Vbat+10V
	Over protection Vover-pv	DC430V	DC430V	DC430V	DC430V	DC430V	DC660V	DC660V	DC660V
	Rated PV power	7280W	8320W	10400	10400W\	12480W\	14560W\	16640W\	20800W\
11700W\					14040W\	16380W\	18720W\	23400W\	
13000W					15600W	18200W	20800W	26000W	
Charge Characteristics	Selectable Battery Types	Sealed lead acid, Gel battery, Flooded (Other types of the batteries also can be defined)-- Default Gel battery							
	Charge rated current	70A	80A	100A	50A	60A	70A	80A	100A
	Charging Method	3-Stage: constant current(fast charging)-constant voltage-floating charge							
LOAD Characteristics	Load voltage	The same as the battery voltage			The same as the battery voltage		□	□	□
	Load rated current	70A	80A	100A	50A	60A	□	□	□
	Load control mode	On\Off mode, PV voltage control mode, Dual-time control mode, PV + Time control mode					□	□	□
Display & Communication	Display mode	LCD128*64 dots/ backlight display							
	Communication mode	8-pin RJ45 port/RS485/support PC software monitoring/support WiFi module to realize APP cloud monitoring							

Other Parameters	Protect function	Input-output over \ under voltage protection, Prevention of connection reverse protection etc.		
	Operation Temperature	-20°C~+50°C		
	Storage Temperature	-40°C~+75°C		
	IP(Ingress protection)	IP21		
	Net Weight (kg)	14.7kg	14.7kg	18.8kg
	Gross Weight (kg)	16.6kg	16.6kg	20.6kg
	Product Size [mm]	371*500*187	371*500*187	391*500*227
	Packing Size(mm)	590*420*270	590*420*270	590*440*320

### System connection diagram



### Parallel connection diagram



Remark: Above is company's standard parameters, any modify please check our official website.