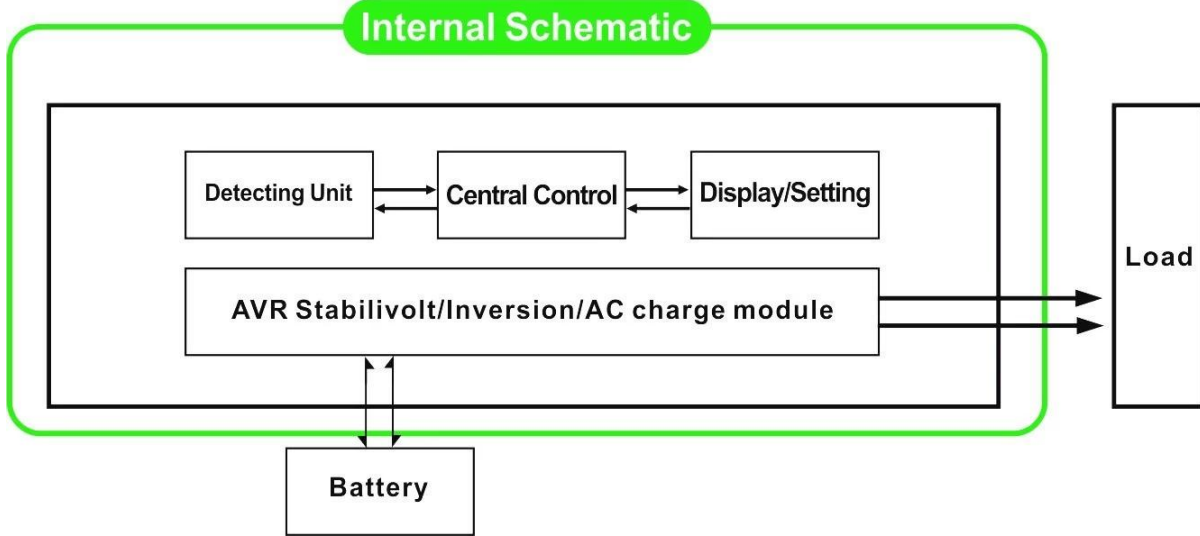




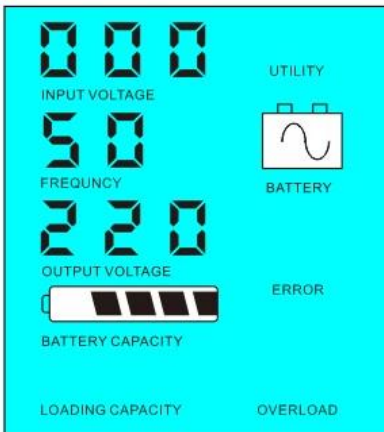
9 CE / EMC / LVD / RoHS

10

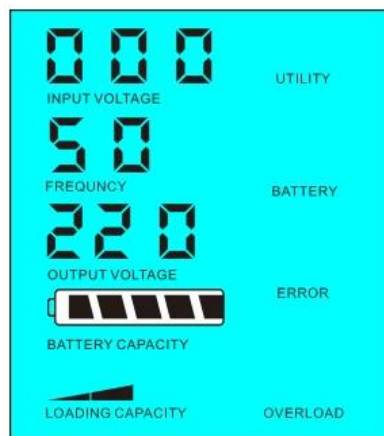
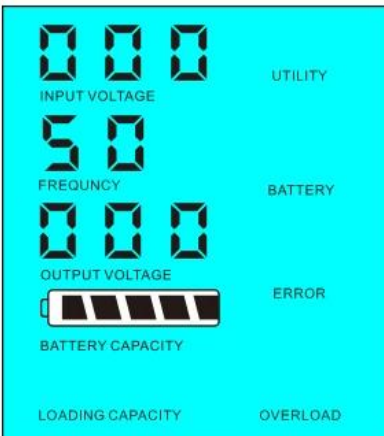
1 DC AC



1.1 FREQUENCY LCD 01 AC LCD



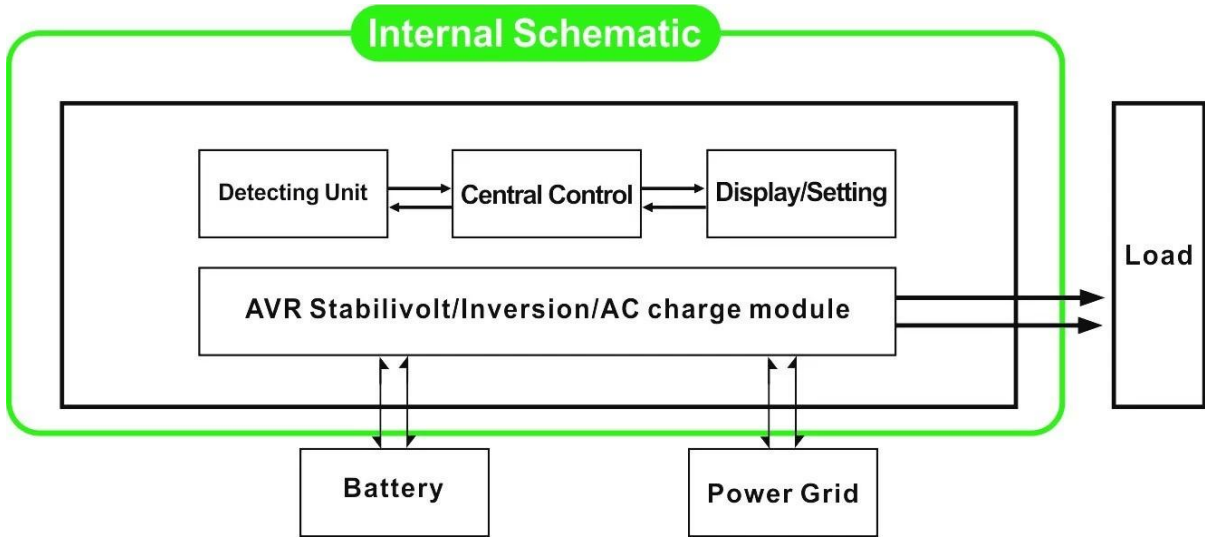
1.2 FREQUENCY LCD 02. If 5 output



<5

> 5

2 UPS AC DC



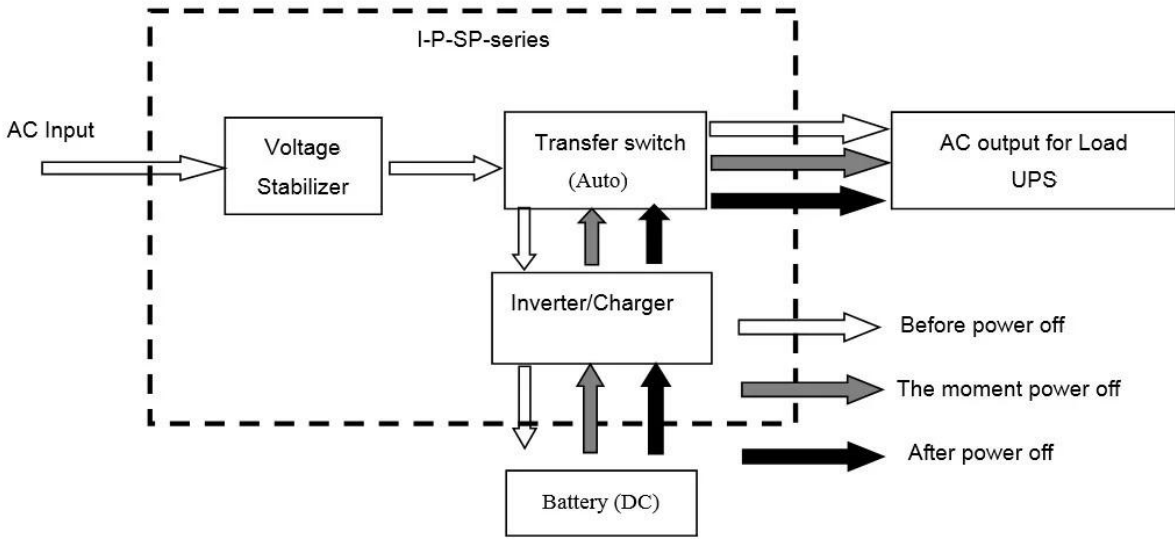
2.1 1. AC voltage fluctuation protection 0.1s response time

2. 1. Voltage fluctuation protection 100V

3. 2. Voltage fluctuation protection 5ms response time

4. 3. Voltage fluctuation protection

5. Voltage fluctuation protection



6. LCD



















中外运敦豪