

# I-P-HPC-Series System



I-P-HPC-Series Inverter+Solar Controller

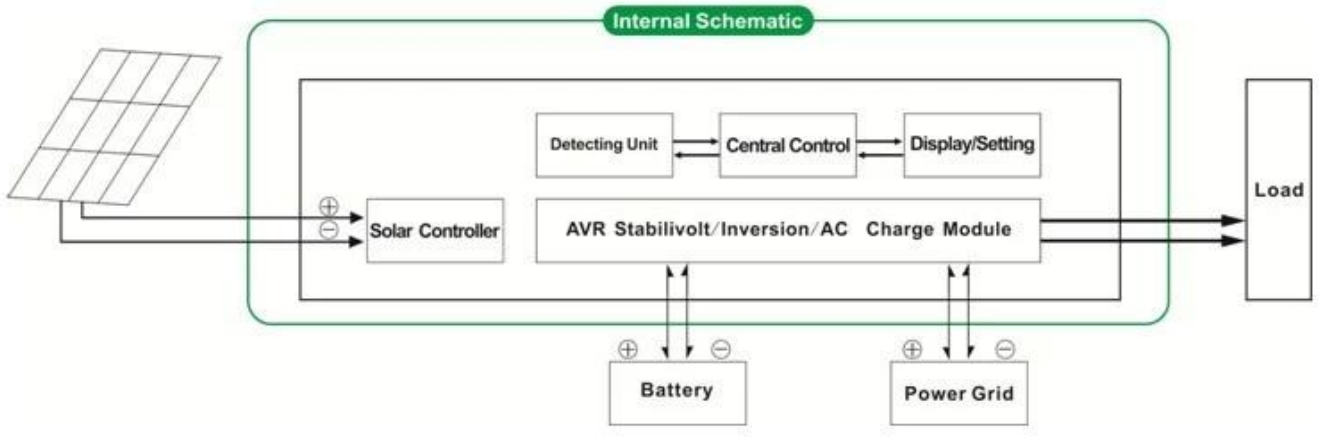
□□

MPPT IP-HPC AC

□□

1

2.Solar



□□

- 1. Easy install. To
- 2. CPU
- 3. MPPT
- 4. Low
- 5. Intellectual
- 6.
- 7. Strong
- 8. Perfect
- 9. CE / EMC / LVD / RoHS
- 10. Two

□□

- 1. Charging
  - 1.1 PV only
  - 1.2 +

- 2. Utility UPS
  - 2.1 UPS

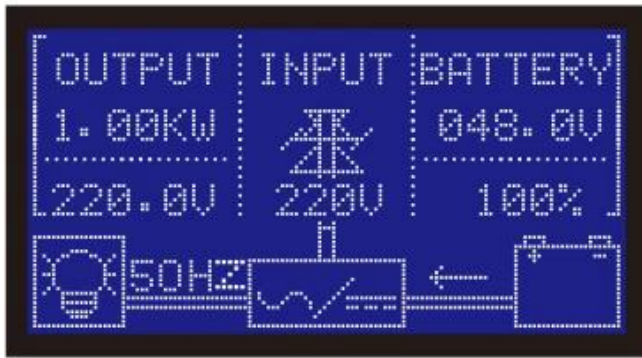
1  
2 5ms

3. Timing

- 3.1
- 3.2

4. /

- 4.1
- 4.2



□□







□□

|              |            |                              |          |           |           |        |
|--------------|------------|------------------------------|----------|-----------|-----------|--------|
| □□□□         | 1000W      | 1500W                        | 2000W    | 3000W     | 4000W     | 5000W  |
| □□□□□□       | 1000W      | 1500W                        | 2000W    | 3000W     | 4000W     | 5000W  |
| □□□□         | 2000W      | 3000W                        | 4000W    | 6000W     | 8000W     | 10000W |
| □□□□□□       | 24V        | 24V / 48V□□□□                |          |           | 48V       |        |
| □□□□□□□□     | □□□□       |                              |          |           |           |        |
| □□□□□□□□     | □□□□+□□□□  |                              |          |           |           |        |
| MPPT□□□□□□□□ | □□         | 24V / 48V                    |          |           | 48V       |        |
|              | □□         | 20A                          | 25A      | 30A       | 40A       | 40A    |
|              | □□□□□□□□   | 100V                         |          |           |           |        |
|              | □□□□□□     | 95□□99□                      |          |           |           |        |
| □□□□□□□□□□   |            | 568W                         | 24V□710W | 24V□852W  | 24V□1136W | 2272W  |
|              |            |                              | 48V1420W | 48V□1704W | 48V□2272W | 2272W  |
| □□           | AC□□□□     | 0□15A                        |          |           |           |        |
| □□□□         | □□□□       | □□□□                         |          |           |           |        |
| AC□□         | □□         | 220V±3□230V±3□240V±3□100V±3□ |          |           |           |        |
|              | □□         | □110V±3□□□□□                 |          |           |           |        |
|              | □□         | 50HZ±0.5□60Hz±0.5□□□□        |          |           |           |        |
| □□□□         | □□□□□□□□□□ | THD≤3                        |          |           |           |        |
| □□□□         | □□□□□□□□□□ | > 120□1□□□> 130□10□          |          |           |           |        |
| □□□□         | □□□□       | 0.4A                         | 24V□0.5A | 24V□0.7A  | 24V□0.7A  | 0.6A   |
| □□□□□□□□□□   |            |                              | 48V□0.4A | 48V□0.45A | 48V□0.5A  | 0.65A  |

|           |                     |                             |                 |    |    |    |
|-----------|---------------------|-----------------------------|-----------------|----|----|----|
| 额定功率      | 1-6W                |                             |                 |    |    |    |
| 额定电压      | 85V~92V             |                             |                 |    |    |    |
| 输入电压      | 220V±35V/110V + 35V |                             |                 |    |    |    |
| AC输入      | 电压                  | 220V±5V/110V + 5V           |                 |    |    |    |
| AC输入      | 频率                  | > 120Hz/100Hz > 130Hz/100Hz |                 |    |    |    |
| AC/DC转换效率 | AC/DC               |                             |                 |    |    |    |
| UPS类型     | DC/AC               |                             |                 |    |    |    |
| 效率        | < 5% AC/DC / DC/AC  |                             |                 |    |    |    |
| 噪音        | ≤4000m              |                             |                 |    |    |    |
| 显示        | LCD + LED           |                             |                 |    |    |    |
| 温度        | -10°C~50°C          |                             |                 |    |    |    |
| 湿度        | 10%~90%             |                             |                 |    |    |    |
| 尺寸        | 438 * 208 * 413     |                             | 450 * 246 * 468 |    |    |    |
| 重量        | 520 * 310 * 460     |                             | 540 * 300 * 518 |    |    |    |
| 重量(kg)    | 15                  | 17                          | 19              | 25 | 34 | 35 |
| 重量(kg)    | 16                  | 18                          | 20              | 27 | 40 | 41 |