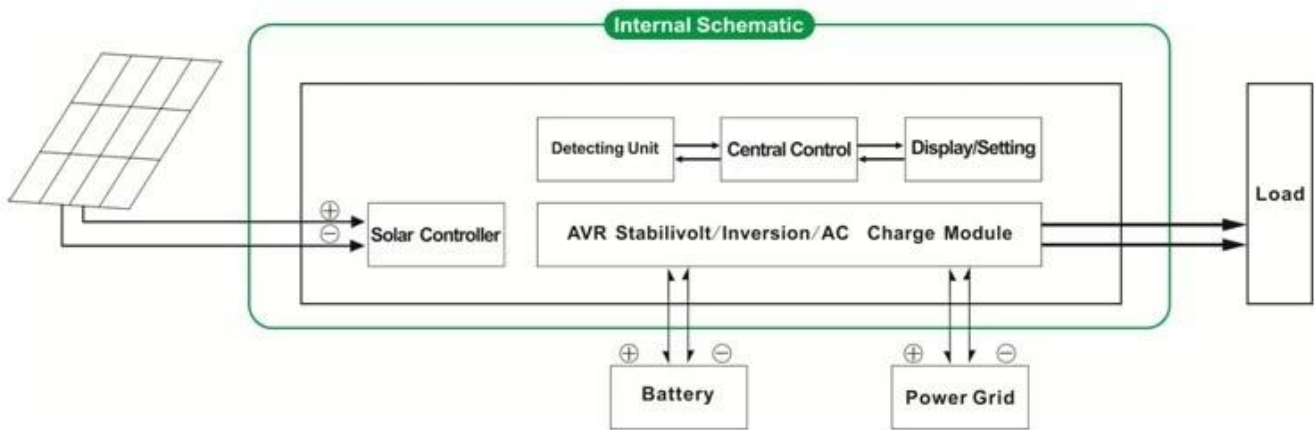


Introduction

Pure sine wave inverter with built-in MPPT controller I-P-HPC-Series is a module design. It has the advantages of high conversion efficiency, low power consumption and strong load-carrying ability. With intelligent control, users can set charging mode, (Utility as complementary power) AC first mode or DC first mode, timing inversion mode and timing utility mode, on/off mode. It is one of advanced hybrid inverter & controller in the world.



Application

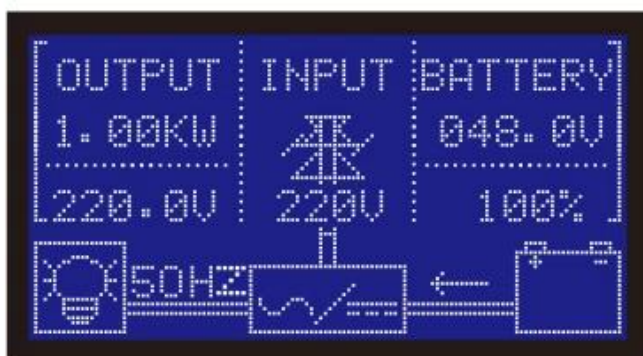
1. Off-grid solar power system
2. Solar and utility complementary power system



Feature

1. Easy to install. To configure a solar system, users just need to connect it with solar panels and batteries
2. CPU management, intelligent control, modular design, LCD display
3. Built-in MPPT controller, high charging efficiency
4. Low power consumption, high conversion efficiency
5. Intellectual multi-function, it's convenient for users to make full use of solar energy in different situation

- 6. External battery connection, it's convenient for users to expand back-up power time
- 7. Strong load-carrying ability, low failure rate, easy to maintenance and long service life (under proper operation, it can last at least 5 years)
- 8. Perfect protection: low voltage protection, high voltage protection, over temperature protection, short-circuit protection, overload protection
- 9. CE / EMC / LVD/ RoHS Approvals
- 10. Two years warranty, life-long technical support



Function

1.Charging function

1.1 PV only mode: when PV and utility are both connected to the inverter, only the PV will charge the battery while utility will not charge the battery.

1.2 PV+AC hybrid mode: when PV and utility are both connected to the inverter, both PV and utility will charge the battery.

2.Utility as complementary power UPS function

2.1AC first, DC standby UPS mode

When utility and battery are connected to the inverter, utility will supply power to the loads preferentially. When utility is cut off, the battery will automatically continue to supply power to the loads.

Steps are as follows:

Step 1: When utility power is available, it will drive the loads directly after voltage being stabilized and charge batteries at the same time.

Step 2: When utility power is cut off suddenly, the inverter will convert DC to AC automatically to ensure uninterrupted power supply within 5ms.

Step 3: When utility power is available again, it will automatically transfer to utility supplying power to loads and charge batteries at the same time.

2.2DC first, AC standby UPS mode:

When utility and battery are connected to the inverter, battery will supply power to the loads prior to utility. When battery capacity is not enough, utility will continue to supply power automatically.

Steps are as follows:

Step 1: When battery has enough power, it will drive the loads directly via power inverter

Step 2: When battery does not have enough power, it will automatically transfer to utility supplying power to the loads

Step 3: After the battery is fully charged (e.g. by solar or wind charge controller), it will automatically transfer to battery supplying power to the loads.

3.Timing function

3.1 On/Off mode: Users can set specific time to turn on/off the output of the inverter.

3.2 Working mode: Battery or utility switchable mode. Users can set specific time when to use battery or utility supplying power (suitable for areas where electric fee is charged differently in different period)

4.Recording/checking function

4.1 Inverter fault checking: Users can check the inverter fault information

4.2 Discharge time checking: Users can check the discharge time of the battery

Parameter

Parameter Model	1000W	1500W	2000W	3000W	4000W	5000W
Rated Output Power	1000W	1500W	2000W	3000W	4000W	5000W
Peak Power	2000W	3000W	4000W	6000W	8000W	10000W

Battery (Lead-acid battery)		24V	24V/48V(optional)				48V	
Charging Parameter								
Charge Mode setting		PV charge						
		PV charge + utility charge						
MPPT Solar Controller	Voltage	24V	24V/48V			48V		
	Current	20A	25A	30A	40A	40A	40A	
	Max PV Input Voltage	100V						
	PV Charge Efficiency	95%~99%						
	Max PV Input Power	568W	24V: 710W	24V: 852W	24V:1136W	2272W	2272W	
		48V:1420W	48V: 1704W	48V: 2272W				
Utility	AC Charge Current	0~15A						
	Charge Mode	3-Stage Charging						
Inversion parameter								
AC Output	Voltage	220V±3% or 230V±3 or 240V±3% or 100V±3% or 110V±3% (optional)						
	Frequency	50Hz±0.5 or 60Hz±0.5 (optional)						
Output wave type	Pure sine wave output, Total Harmonic Distortion THD≤3							
Overload ability	>120% 1 min, >130% 10s							
Power Consumption (under normal working mode)	0.4A	24V: 0.5A	24V: 0.7A	24V: 0.7A	0.6A	0.65A		
		48V: 0.4A	48V: 0.45A	48V: 0.5A				
Power Consumption (under sleep mode)	1-6W							
Inverter Conversion Efficiency	85%~92%							
Utility Mode								
AC Input	Voltage	220V±35% or 110V+35% optional						
	Frequency	The same as utility's frequency						
AC Output	Voltage	220V±5% or 110V+5% optional						
	Frequency	The same as utility's frequency						
Overload Ability	>120% 1 min, >130% 10s							
(AC first or DC first) priority								
UPS Output setting	AC first, DC standby							
	DC first, AC standby							
Switch Time	<5ms AC to DC / DC to AC							
Power On setting	Set by users							
	Timed on / off AC output automatically							
General Parameter								
Display	Display Mode	LCD+LED						
	Display Information	Input voltage, output voltage, output frequency, battery capacity, load condition, status Information						
Protection	Overload, short-circuit, high-voltage input, low-voltage input, overheat							
Environment	Temperature	-10°C~50°C						
	humidity	10%~90%						
	Altitude	≤4000m						
Size W×D×H(mm)	438*208*413					450*246*468		

Packing Size WxDxH(mm)	520*310*460				540*300*518	
Net Weight (kg)	15	17	19	25	34	35
Gross Weight (kg)	16	18	20	27	40	41

picture

I-P-HPC-Series System



I-P-HPC-Series Inverter+Solar Controller





Rs232

B0
B1
B2
B3
B4
B5
B6
B7
B8
B9
0.1
MONITOR BATTERY VOLTAGE DETECTION

Battery Switch

AC Input Switch

Solar Input

DC Output

ON
OFF
DELCO
30A
12VDC

ON
OFF
DELCO
30A
12VDC

S+ S- L+ L-

Battery input

Red Black
Input voltage 14VDC 16VDC

AC INPUT N L AC OUTPUT
Pay attention to high voltage