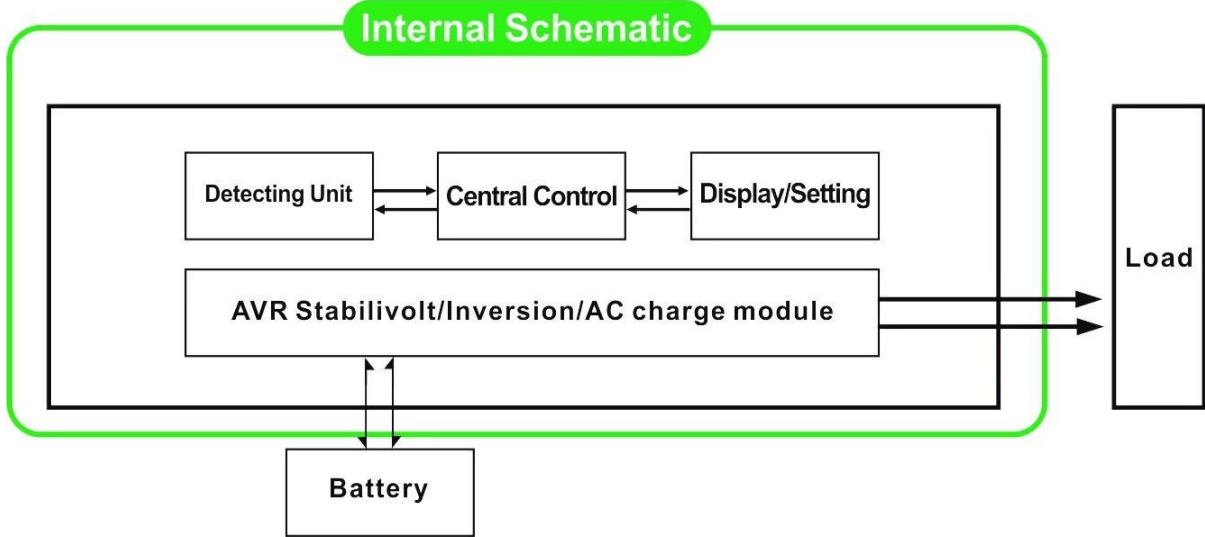


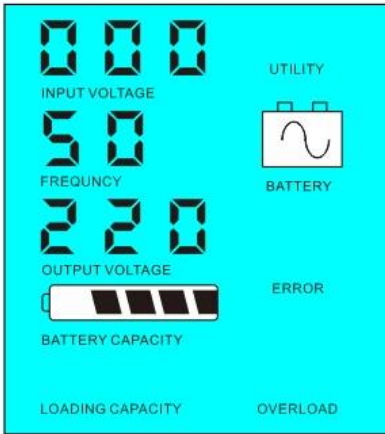
DC / AC AVR AC UPS IP-XD

- 1
- 2 CPU
- 3 LCD
- 4 AVR UPS
- 5
- 6 ;
- 7 5
- 8
- 9 CE / EMC / LVD / RoHS
- 10

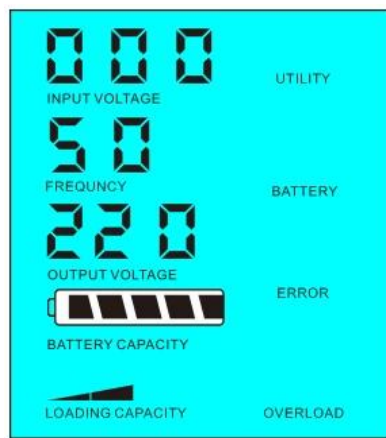
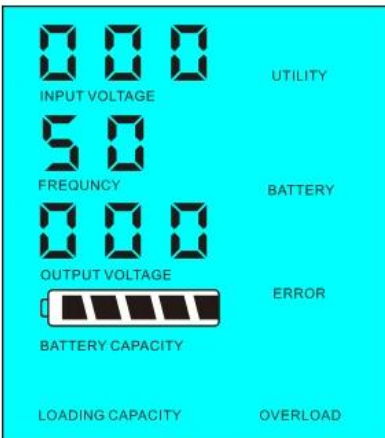
1 DC AC normal



1.1 LCD FREQUENCY 01. AC DC AC LCD...



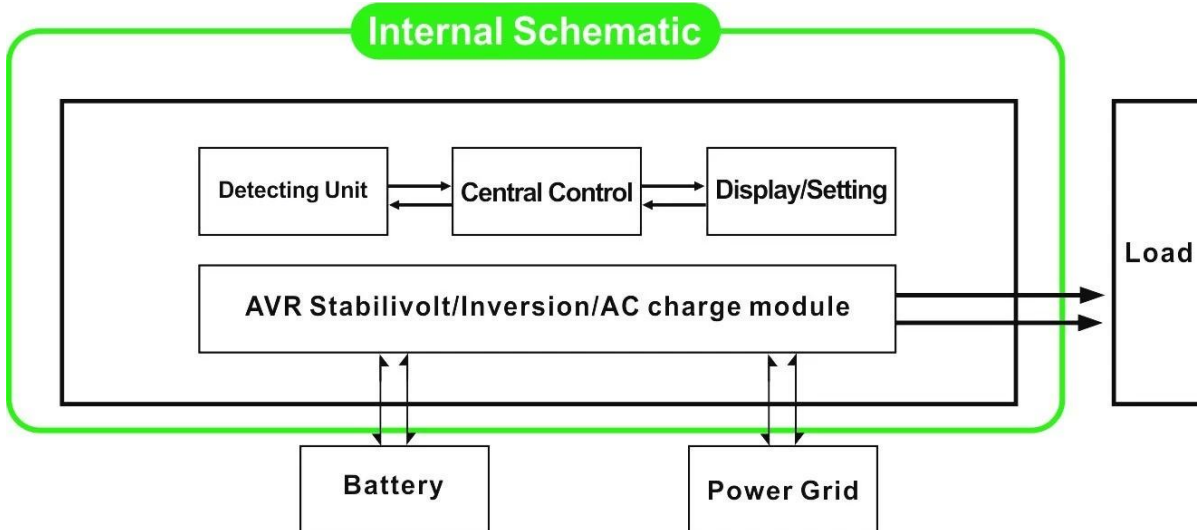
1.2 LCD FREQUENCY 02. 5 1-6W LCD 0. 5 DC AC 5s output



<5

>5

2 UPS AC DC



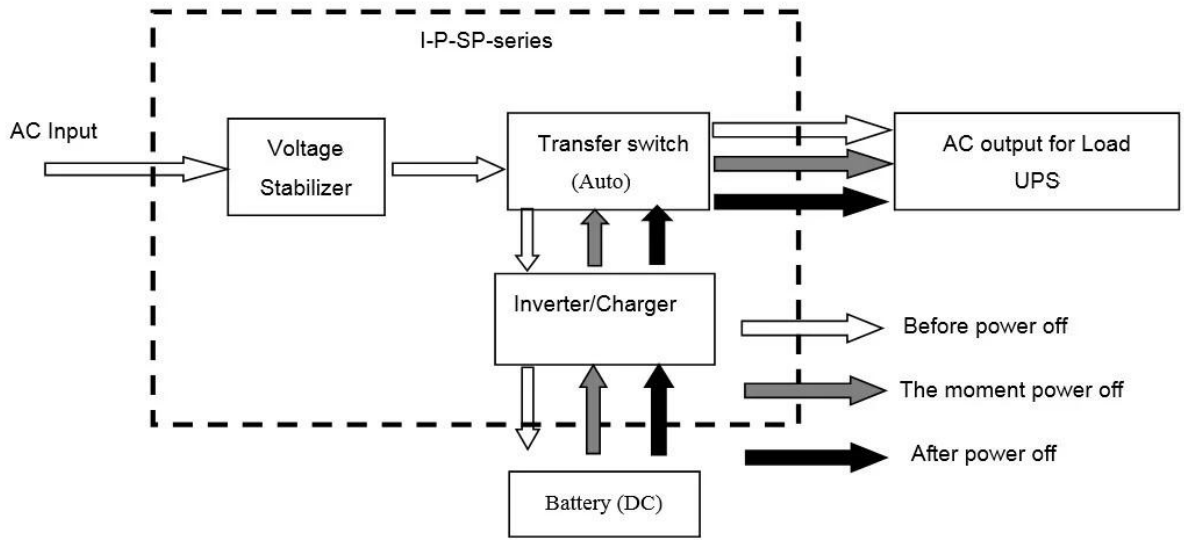
2.1 Utility Utility AC first LCD FREQUENCY 01. 5

1

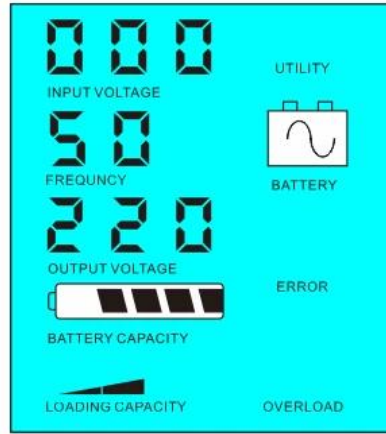
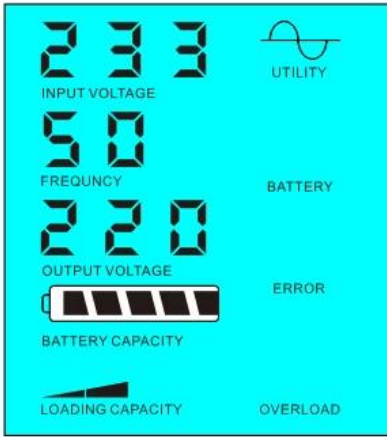
2 DC AC 5ms

3

Block Diagram



LCD



DC

UPS

2.2 DC UPS LCD 03. The LCD display shows the following information:

1. Input Voltage

2. Frequency

3. Output Voltage

4. Battery Capacity (Bar graph)

5. Loading Capacity (Triangle)

6. Error indicator

7. Overload indicator











中外运敦豪